

# DATASHEET

## 342USB-VW

Single port USB Charger Mechanism

### Application

The USB charging mechanism has been designed to eliminate bulky chargers by providing a universal charging solution whilst freeing up socket outlets. Providing an A type USB port that optimises charging.

The charger includes a patented current management technology, which monitors the internal temperature to ensure internal components don't overheat. If the temperature rises above safe limits, the current output is wound back so the device can continue to charge. This technology has the added advantage that enables the mechanism to be installed into harsh temperature environments.

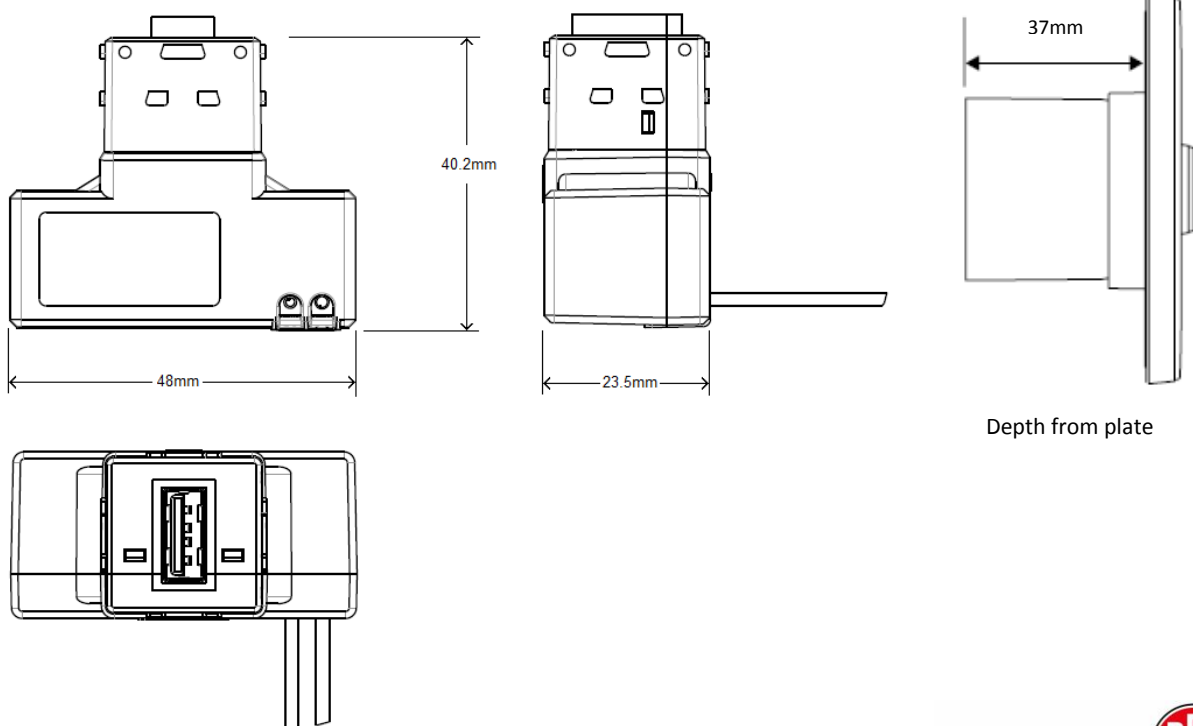
The charging mechanism also includes a patented rotating head so that correct orientation of the USB outlet can be provided in both horizontal or vertical plates. The charger fits perfectly into the Iconic single, double or quad power outlets and can be accommodated in a standard depth wall box, fire rated wall box or standard mounting bracket

Multiple chargers can be mounted into a single wall plate eliminating the need for a power board or the manufacturer's original supplied charger. These energy-efficient USB Charger Mechs are compatible with both Apple® and Android™ devices, and have standby power of less than 0.07W.



### Features

- 1.5A maximum current output
- Fits into vertical and horizontal, single twin and quad power outlets.
- Over temperature current management (windback)
- Rotating head for correct orientation
- BC1.2 compliance and cable compensation capabilities



Life Is On



by Schneider Electric

## Specifications

Input Voltage:	220-240V ac 50hz
Output Voltage:	5V dc
Output Current:	Max 1.5A
Standby Power	<70mW
Efficiency:	>79%
Charging:	BC1.2, cable compensation & Smartcharge
Operating Temperature:	0°-45° C
Ambient Operating Humidity:	5% ~ 90% Relative Humidity, Non-Condensing
Storage Temperature:	0°-60° C
Storage Humidity:	5% ~ 90% Relative Humidity, Non-Condensing
USB Connection type:	USB A-Type
Input Connections	120mm flyleads, 22 AWG (0.64mm dia, 0.33mm <sup>2</sup> ) terminal block supplied
IP Rating:	IP20 Indoor Use Only
Rotating head angle:	180°
Lifetime insertion of USB	10,000 cycles
Protection:	Short circuit, Over Current and Over Temperature (self regulates output current)
Depth from rear of plate:	37mm (suits standard and fire rated wall boxes)
Plate compatibility:	Suitable only for Iconic Series Plates.

## Ordering details

Catalogue No.	Description
342USB-VW	1.5A, USB charging mechanism (Note - Supplied with a Vivid White (VW) cap)
Accessories	
300USBC-VW	Single Port USB Cap- Vivid White (pk 5)
300USBC-WY	Single Port USB Cap- Warm Grey (pk 5)
300USBC-CY	Single Port USB Cap- Cool Grey (pk 5)
300USBC-AN	Single Port USB Cap- Anthracite (pk 5)



300USBC-AN

PDL New Zealand Ltd

38 Business Parade South, East Tamaki, Auckland 2013

Phone: + 64 (9) 829 0490 Fax: + 64 (9) 829 0491

Customer Care: 0800 652 999 Email: sales@nz.schneider-electric.com

www.pdl.co.nz

Life Is On



by Schneider Electric