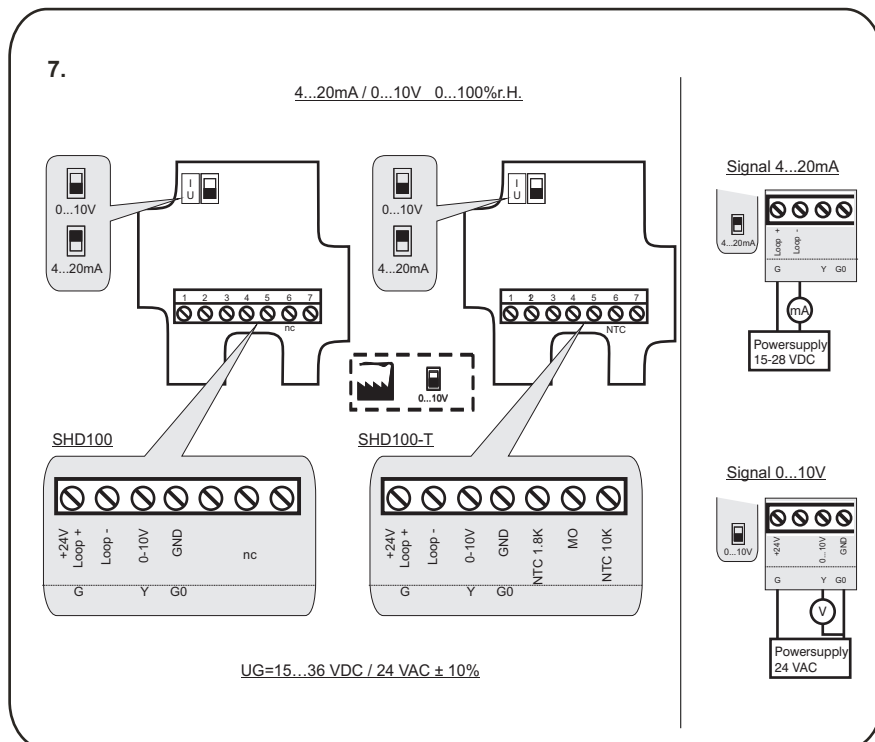
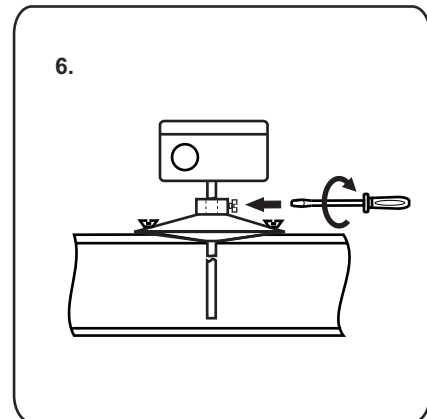
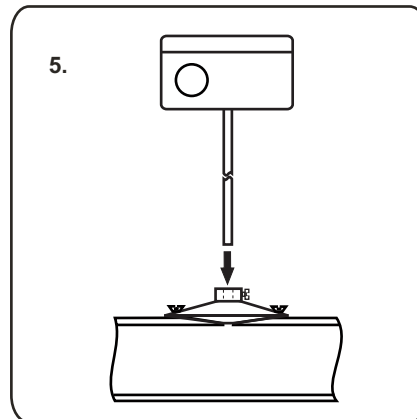
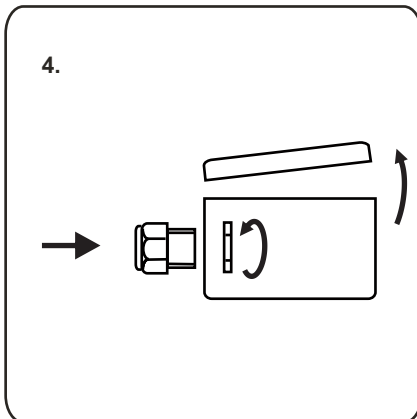
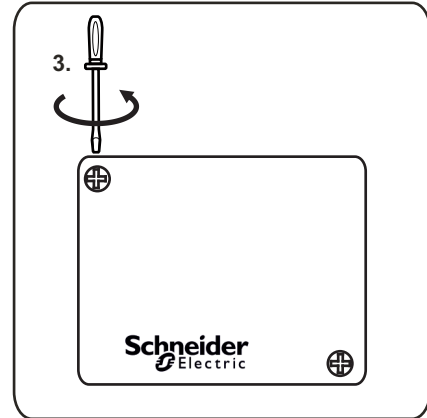
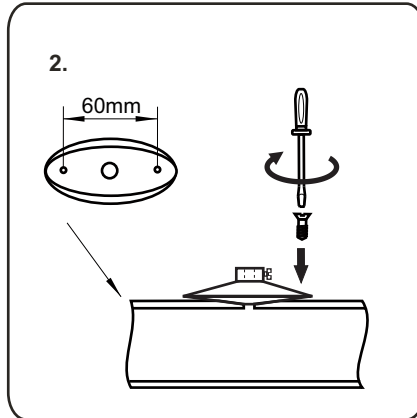
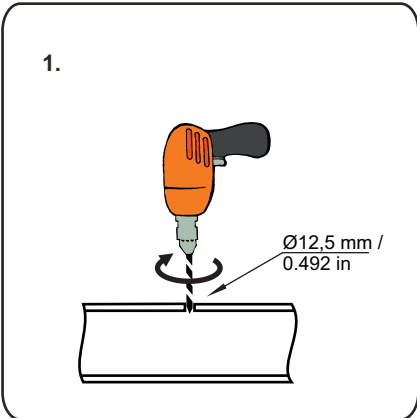


# SHD100/ SHD100-T

## Installation

Duct humidity (temperature) sensor  
 Transmitter relativ fuktighet kanal (med temperaturgivare)  
 Kanal- (Temperatur)- Feuchtemessumformer  
 Sonde (de température) et hygrométrie en gaine  
 Transmisor de humedad (y temperatura) canal  
 Trasmettore die umidità (e temperatura) da canale

Instruction  
 Montageanvisning  
 Bedienungsanleitung  
 Instructions d'installation  
 Instrucciones de empleo  
 Istruzioni per installazioni



**8.**

Attention! Unscrew terminal block before connecting wires.

OBS! Lossa plintskruven innan du ansluter.

Achtung! Vor dem Anschließen Klemmblock lösen.

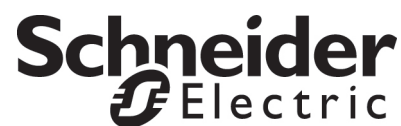
Attention! Avant la connexion bornier dissoudre.

Atencion! Antes de conectar suelte el bloque de terminals.

Attention! Prima di conettere avvitare il morsetto.

## SHD100/ SHD100-T

## Installation



Duct humidity (temperature) sensor  
 Transmitter relativ fuktighet kanal (med temperaturgivare)  
 Kanal- (Temperatur)- Feuchtemessumformer  
 Sonde (de température) et hygrométrie en gaine  
 Transmisor de humedad (y temperatura) canal  
 Trasmettitore die umidità (e temperatura) da canale

Instruction  
 Montageanvisning  
 Bedienungsanleitung  
 Instructions d'installation  
 Instrucciones de empleo  
 Istruzioni per installazioni



部件名称 Part Name	有害物 - Hazardous Substances					
	(Pb)	汞 (Hg)	(Cd)	六价 (Cr (VI))	多溴 苯 (PBB)	多溴二苯醚 (PBDE)
金属部件 Metal parts	○	○	○	○	○	○
塑料部件 Plastic parts	○	○	○	○	○	○
子件 Electronic	X	○	○	○	○	○
触点 Contacts	○	○	○	○	○	○
和 附件 Cables & cabling accessories	○	○	○	○	○	○

本表格依据SJ/T11364的 定 制。

O: 表示 有害物 在 部件所有均 材料中的含量均在GB/T 26572 定的限量要求以下。

X: 表示 有害物 至少在 部件的某一均 材料中的含量超出GB/T 26572 定的限量要求。

(企 可在此处，根据实 情况对上表中打的技术原因 行 一步 明。)



This table is made according to SJ/T 11364.

O: indicates that the concentration of hazardous substance in all of the homogeneous materials for this part is below the limit as stipulated in GB/T 26572.

X: indicates that concentration of hazardous substance in at least one of the homogeneous materials used for this part is above the limit as stipulated in GB/T 26572