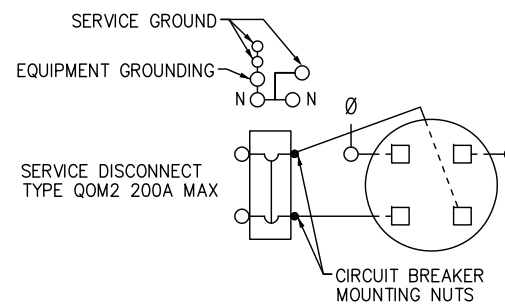
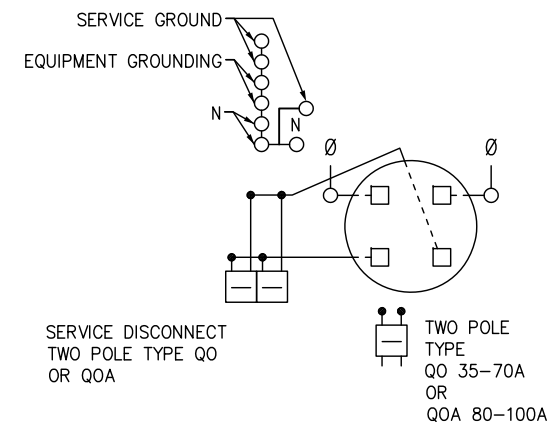


KNOCKOUTS		
SYMBOL	CONDUIT SIZE	
	IN	MM
A	.50	13
B	.75	19
C	1.00	25
D	1.25	32
E	1.50	38
F	2.00	51
G	2.50	64
H	3.00	76

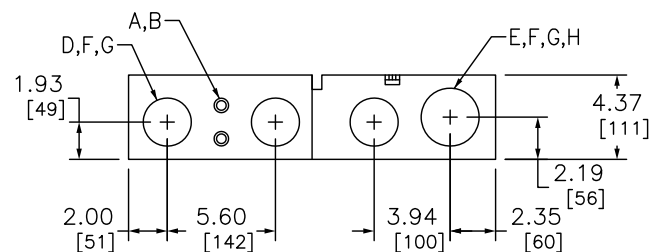
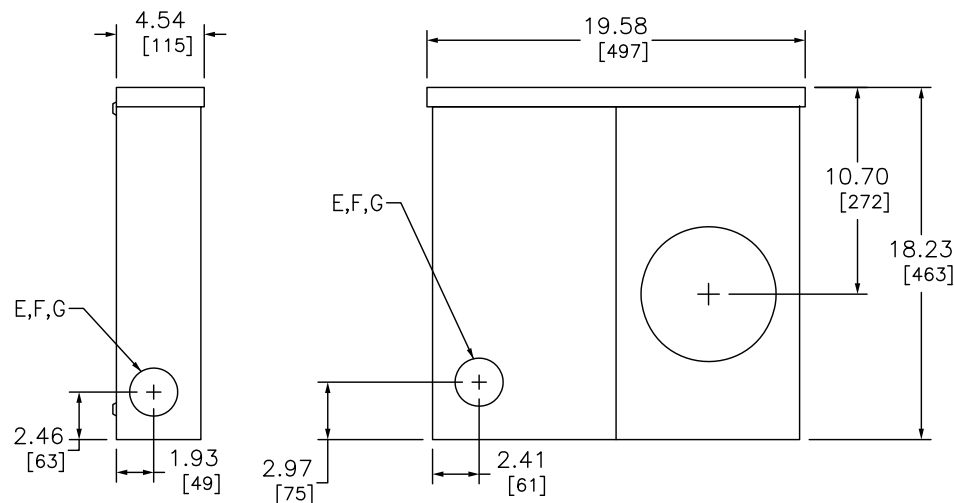
C2M200S



CM200S
CQRA200 ▲



C4L200S



DUAL DIMENSIONS: INCHES
MILLIMETERS

AMPERE RATING	BYPASS TYPE	MAXIMUM SYSTEM VOLTAGE	SHORT CIRCUIT CURRENT RATING	CATALOG NUMBER	SERIES	LINE SIDE PHASE AND NEUTRAL LUGS AWG/KCML
200	NONE	120/240 VAC 1Ø 3W OR 208Y/120V (FROM A 3Ø 4W SYSTEM)	22K	CM200S	M02	#4-250 CU/AL
			22K	C2M200S	M02	
			10K	C4L200S	M02	
			22K	CQRA200	M02	

NOTES:
FINISH - GRAY BAKED ENAMEL POWDER COAT PAINT OVER CLEANED GALVANNEALED STEEL.
UL LISTED - FILE E-6294, VOL. M
SUITABLE ONLY FOR USE AS SERVICE EQUIPMENT.
SUITABLE FOR OVERHEAD OR UNDERGROUND SERVICE.
▲ 200A BREAKER (QOM2200VH) IS FACTORY INSTALLED IN CQRA200.

COMBINATION SERVICE ENTRANCE DEVICES
RING TYPE METER MAIN
RAINPROOF NEMA TYPE 3R ENCLOSURE
SURFACE ONLY



DWG# 3264
NO.