

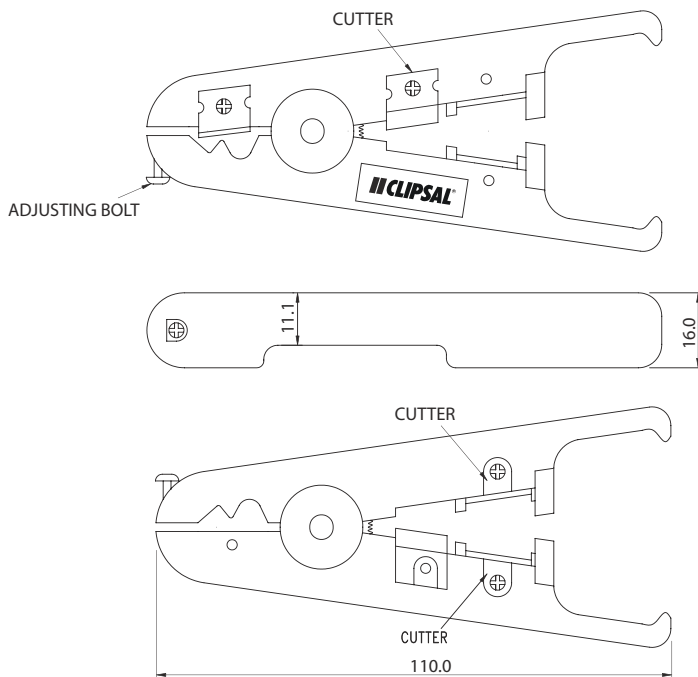
DATA SHEET | TELEPHONE ACCESSORIES | TOOLS

All Clipsal Telephone Accessories are RoHS Compliant.

CATALOGUE#	DESCRIPTION
3110CBLSTL	Cable Stripper Telephone and LAN
3110RJCMPTL	RJ11, RJ12, RJ45 Crimping Tool

TECHNICAL DRAWING

3110CBLSTL

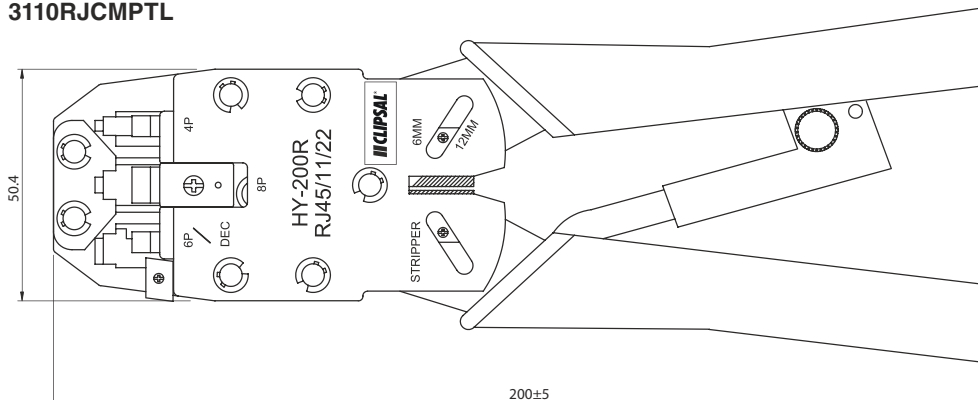


3110CBLSTL



3110RJCMPTL

3110RJCMPTL



Product of Clipsal Australia Pty Ltd
A member of Schneider Electric

clipsal.com.au

Contact us clipsal.com/feedback

National Customer Service Enquiries:

1800 728 728

Clipsal Australia Pty Ltd reserves the right to change specifications, modify designs and discontinue items without incurring obligation and whilst every effort is made to ensure that descriptions, specifications and other information in this document are correct, no warranty is given in respect thereof and the company shall not be liable for any error therein.

© Clipsal Australia Pty Ltd

The identified trademarks and copyrights are the property of Clipsal Australia Pty Ltd unless otherwise noted.