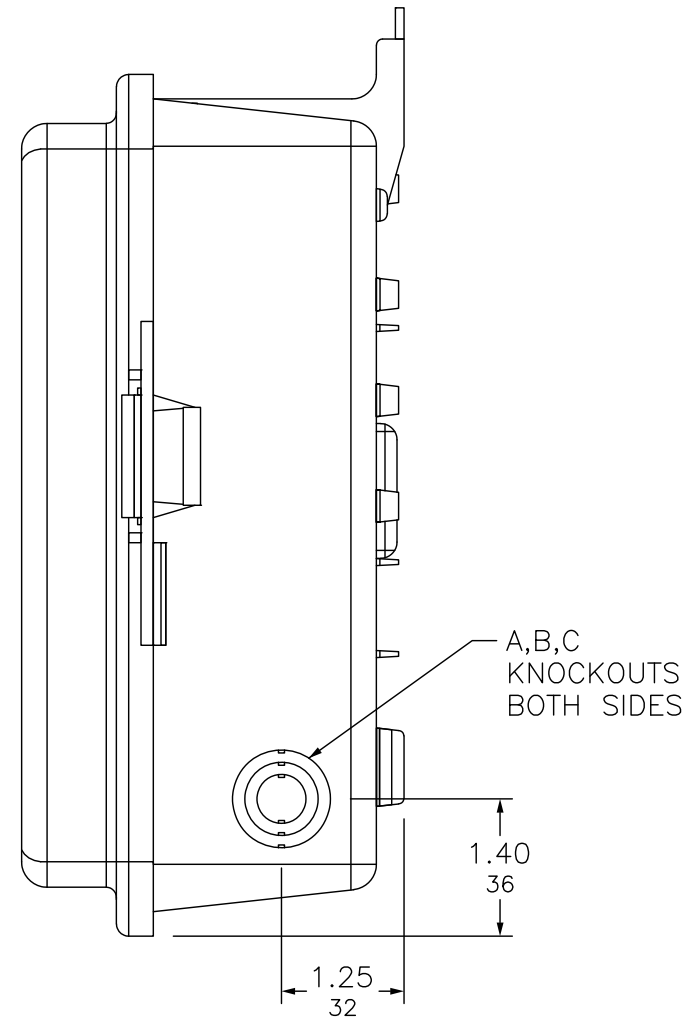
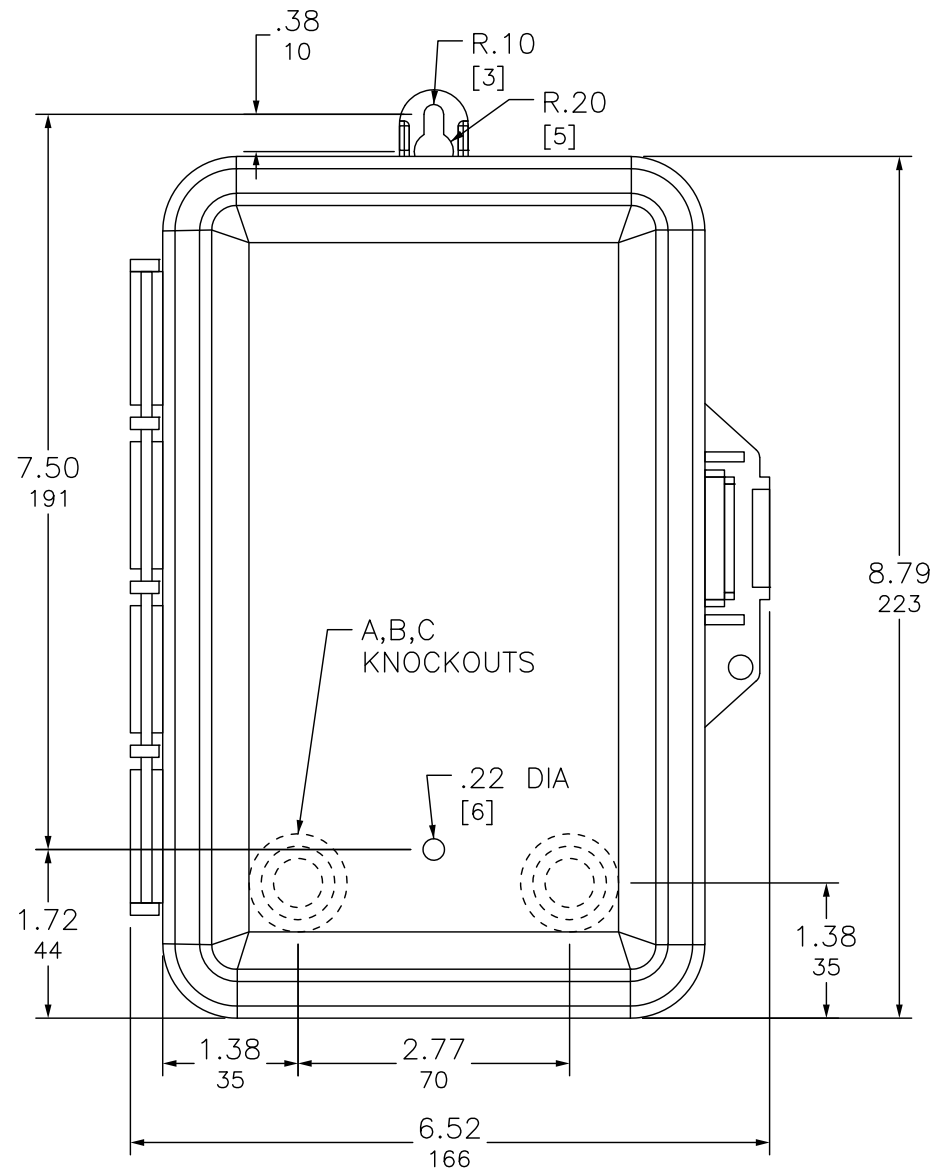
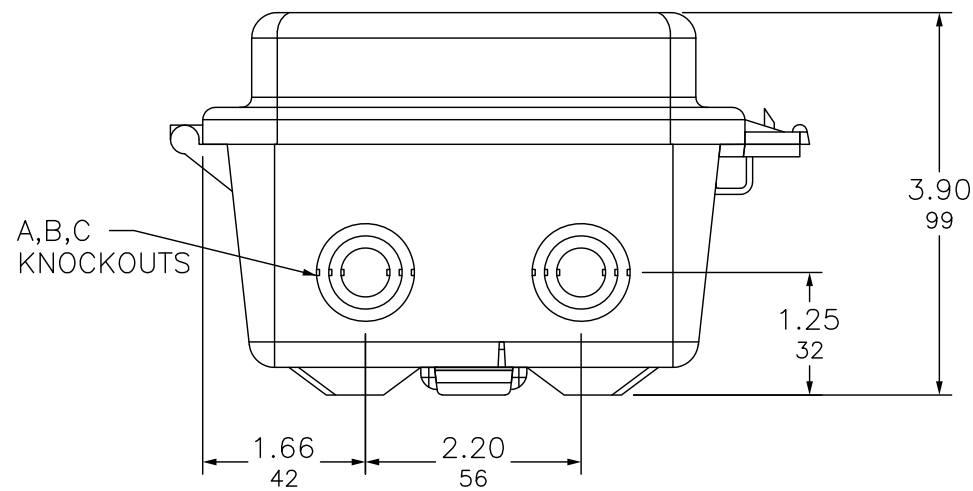


NOT TO SCALE



KNOCKOUTS		
SYMBOL	CONDUIT SIZE	
	IN	MM
A	.50	13
B	.75	19



DUAL DIMENSIONS: INCHES
MILLIMETERS

SERVICE	AMPERE RATING	RAINFOOF NEMA TYPE 3R	CATALOG NUMBER	MOLDED CASE SWITCH		GROUNDING TERMINALS
				UL LISTED SHORT CIRCUIT CURRENT RATING RMS SYM. AMPERES	WIRE SIZE AWG	
240VAC	60A MOLDED CASE SWITCH	Q0200TRNM ⁺	Q0200 (INCLUDED)	10KAIR •	#14-#4 AL/CU ▲	(6) #14-#4 AL/CU
120/240VAC	50A ENCLOSED GFCI BREAKER	Q0E250GFIM	Q0250GFI (INCLUDED)	10KAIR	#14-#4 AL/CU	(6) #14-#4 AL/CU

- NOTES:
 UL LISTED
 SUITABLE FOR USE AS SERVICE EQUIPMENT.
 + WHEN MOUNTING, ALLOW 1.00IN / 25MM CLEARANCE ON HINGE SIDE FOR DOOR TO OPEN.
 ▲ LOAD TERMINALS - USE 6 AWG MAX
 ◆ MAXIMUM 10 HP, 240VAC
 ● SUITABLE FOR USE ON SYSTEMS WITH UP TO 10K RMS SYMMETRICAL AMPERES AVAILABLE FAULT CURRENT AT 240VAC MAX WHEN PROTECTED BY A FUSE OR CIRCUIT BREAKER RATED 60 AMPERES OR LESS.

QO LOAD CENTERS
 RAINFOOF ENCLOSURE
 ENCLOSED MOLDED CASE SWITCH DEVICE
 NON-METALLIC
 NOT-FUSIBLE



DWG# 3104
 NO.