

Instruction Bulletin

Replaces 30072-451-31A 06/06

Supplementary Instructions for Flange Mounting Kits for Altivar® 61 and Altivar 71 Adjustable Speed Drive Controllers

Retain for future use.

INTRODUCTION

**Table 1: ATV61 and ATV71
Flange Mounting Kits**

Frame Size	Kit Catalog No.	For Use on Drive Controllers ATV__ (1)
1	VW3A9501	61/71H037M3...HU15M3 61/71H075N4...HU22N4
2	VW3A9502	61/71HU22M3...HU40M3 61/71HU30N4...HU40N4
3	VW3A9503	61/71HU55M3 61/71HU55N4, HU75N4
4	VW3A9504	61/71HU75M3 61/71HD11N4
5	VW3A9505	61/71HD11M3X...HD15M3X 61/71HD15N4, HD18N4
6	VW3A9506	61/71HD18M3X...HD22M3X 61/71HD22N4
7	VW3A9507	61/71HD30N4, HD37N4
8	VW3A9508	61/71HD30M3X...HD45M3X
9	VW3A9509	61/71HD45N4...HD75N4
10	VW3A9510	61HD55M3X...HD75M3X 61HD90N4...HC11N4 71HD55M3X, 71HD90N4
11	VW3A9511	61HD90M3X, 61HC13N4 71HD75M3X, 71HC11N4
12	VW3A9512	61HC16N4, 71HC13N4
13	VW3A9513	61HC22N4, 71HC16N4
14	VW3A9514	61HC25N4...HC31N4 71HC20N4...HC28N4
14	VW3A9515	61HC25N4...HC31N4 (2) 71HC20N4...HC28N4 (2)

(1) 61/71H037M3 = ATV61H037M3 and ATV71H037M3, etc.

(2) With VW3A7101 braking transistor.

Table 2: Installation Bulletin Numbers

Kit Catalog No.	Installation Bulletin Number
VW3A9501...502	W9 1755559 01 12
VW3A9503...505	W9 1757291 01 12
VW3A9506...509	W9 1755578 01 11
VW3A9510...515	E6581354

This bulletin contains supplementary instructions and precautions for the Altivar 61 (ATV61) and Altivar 71 (ATV71) flange mounting kits listed in Table 1. For the installation bulletin numbers, refer to Table 2.

*NOTE: These kits provide a **Type 12** enclosure rating.*

Read and understand these instructions before beginning any procedure with the ATV61 or ATV71 drive controller. For complete instructions, refer to the installation manual included with the drive controller.

⚠ DANGER

HAZARD OF ELECTRIC SHOCK, EXPLOSION, OR ARC FLASH

- Read and understand this bulletin in its entirety before installing or operating the Altivar 61 or Altivar 71 drive controller.
- This equipment must only be installed, adjusted, repaired, and serviced by qualified personnel.
- The user is responsible for compliance with all international and national electrical standards in force concerning protective grounding of all equipment.
- Many parts in this drive controller, including printed wiring boards, operate at line voltage. **DO NOT TOUCH.** Use only electrically insulated tools.
- **DO NOT** touch unshielded components or terminal strip screw connections with voltage present.
- **DO NOT** short across terminals PA and PC, or across the DC bus capacitors.
- Before servicing the drive controller:
 - Disconnect all power, including external control power that may be present, before servicing the drive controller.
 - Place a "DO NOT TURN ON" label on the drive controller disconnect.
 - Lock the disconnect in the open position.
 - **WAIT 15 MINUTES** for the DC bus capacitors to discharge. Then follow the DC bus voltage measurement procedure in the appropriate Altivar 61 or Altivar 71 Installation Manual to verify that the DC voltage is less than 45 Vdc. (The drive LEDs are not indicators of the absence of DC voltage.)
- Install and close all covers before applying power or starting and stopping the drive controller.

Failure to follow these instructions will result in death or serious injury.

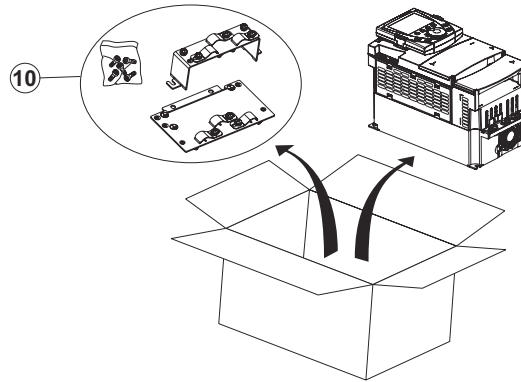
SUPPLEMENTARY INSTRUCTIONS

VW3A9501...502

The installation bulletin (W9 175559 01 12) that comes with these kits shows an Item 10, EMC plates, supplied with the drive controller (see Figure 1). You may discard these plates if the drive controller is not required to meet the European Community EMC directive.

When performing the installation procedures, torque the screws provided in the hardware bag to the values specified in Table 3.

Figure 1: Item 10, VW3A9501...502

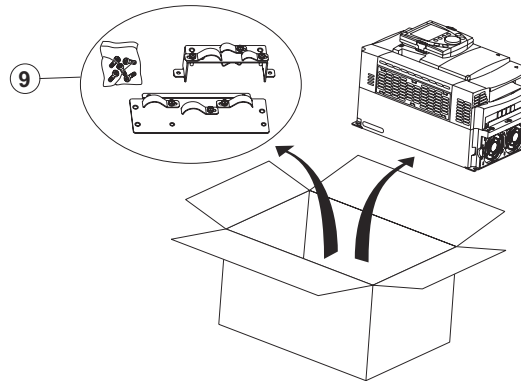


VW3A9503...505

The installation bulletin (W9 1757291 01 12) that comes with these kits shows an Item 9, EMC plates, supplied with the drive controller (see Figure 2). You may discard these plates if the drive controller is not required to meet the European Community EMC directive.

When performing the installation procedures, torque the screws provided in the hardware bag to the values specified in Table 3.

Figure 2: Item 9, VW3A9503...505



VW3A9506...515

When performing the procedures in the installation bulletin (W9 1755578 01 11 or E6581354) that comes with these kits, torque the screws provided in the hardware bag to the values specified in Table 3.

Table 3: Torque Requirements

Kit Catalog No.	Item	Torque, lb-in (N•m)
VW3A9501...505	7 (M4 Nut)	16 (1.8)
	8 (M4 Screw)	16 (1.8)
VW3A9506...509	M4 Screw	16 (1.8)
	M4 Nut	16 (1.8)
	M5 Screw	30 (3.4)
VW3A9510...515	M8 Screw	131 (14.8)

Schneider Electric USA
8001 Knightdale Blvd.
Knightdale, NC 27545
1-888-SquareD (1-888-778-2733)
www.us.SquareD.com

Electrical equipment should be installed, operated, serviced, and maintained only by qualified personnel. No responsibility is assumed by Schneider Electric for any consequences arising out of the use of this material.

© 2005–2007 Schneider Electric All Rights Reserved