
VWA5000

Wireless Window and Door Switch



VWA5000 Features



An easy to install sensor to manage occupancy and optimize HVAC systems according to entry and exit of occupants. The device is suited to monitoring doors and windows.

Introduction and Overview

The new VWA5000 Series wireless window and door switch accessories for use in hotels, schools, dorm rooms, and military barracks. These new wireless switches can be easily installed and allow for monitoring of typical entry points such as doors, patio doors, and windows.

Used in conjunction with a local passive infrared (PIR) motion sensor, the wireless switches allow for additional automatic energy savings without sacrificing guest comfort. In the hotel/lodging industry, for example, there is an opportunity to recover significant lost energy using advanced automatic occupancy detection. Using door and window switches along with a local PIR motion sensor can easily provide approximately 25 to 40 per cent additional energy savings per room. This is achieved by allowing HVAC equipment to be automatically set back or placed in standby mode in order to reduce unnecessary energy consumption.

Designed for quick and easy installation and virtually no maintenance, the window and door switches do not require any special software tools for commissioning. A very simple interface with an on-board LED and hidden switch provides all the required functions for local interaction and configuration. Wireless functionality means no new wires need to be installed, which in turn saves you money on overall system installation costs. Up to 20 VWA5000 door and/or window switches can be used simultaneously with a single SER7300, SE7200, or SE7300 controller. The door and window switches operate on two AAA extended life batteries that can last up to 10 years* before needing to be replaced.

The window and door switches and associated temperature controllers provide a simple solution for achieving additional energy savings with very little initial cost or servicing required. These great new accessories provide the best performance and return on investment in their class.

*Battery life can be affected due to ambient temperature, number of open/close detections, battery brand, model, batch and production date.



AT A GLANCE

Features and benefits

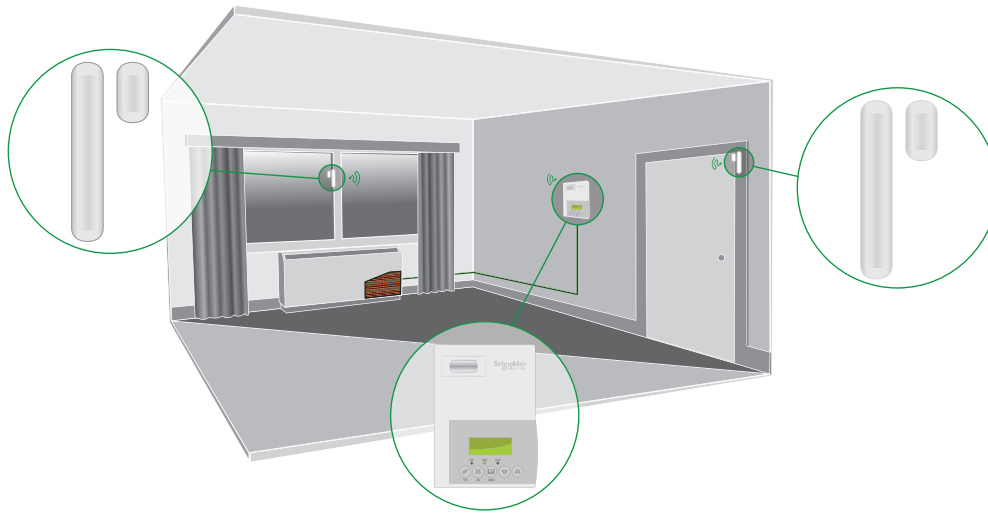
- Complete with magnet, batteries, and required mounting hardware
- Wireless functionality requires no new wires to be installed
- Up to 10 years battery life
- Saves approximately 25-40% of lost energy

Compatibility

- SER7300 series Room Controllers using ZigBee Pro communication
- SE7000 series Room Controllers using ZIBee Pro communication within a SmartStruxure Lite solution network

VWA5000 Wireless Door and Window Switch Applications

Typical hotel room application



Specifications

Dimensions

Height: 11.8cm/4.63in

Width: 3.9cm/1.55in

Depth: 2.2cm/0.85in

Power Requirements

3.0 VDC 2 x AAA batteries.

Factory supplied (life up to 10 years)

Operating Conditions

0°C to 50°C (32°F to 122°F)

0% to 95% R.H. non-condensing

Storage Conditions

-30°C to 50°C (-22°F to 122°F)

0% to 95% R.H. non-condensing

Agency Approvals for all Models

CE: RTTE 1999/5/EC

Agency Approvals Wireless Models

FCC: Compliant to: Part 15, Subpart C

THIS DEVICE COMPLIES WITH PART 15 OF THE FCC RULES. OPERATION IS SUBJECT TO THE FOLLOWING TWO CONDITIONS: (1) THIS DEVICE MAY NOT CAUSE HARMFUL INTERFERENCE, AND (2) THIS DEVICE MUST ACCEPT ANY INTERFERENCE RECEIVED, INCLUDING INTERFERENCE THAT MAY CAUSE UNDESIRE OPERATION.

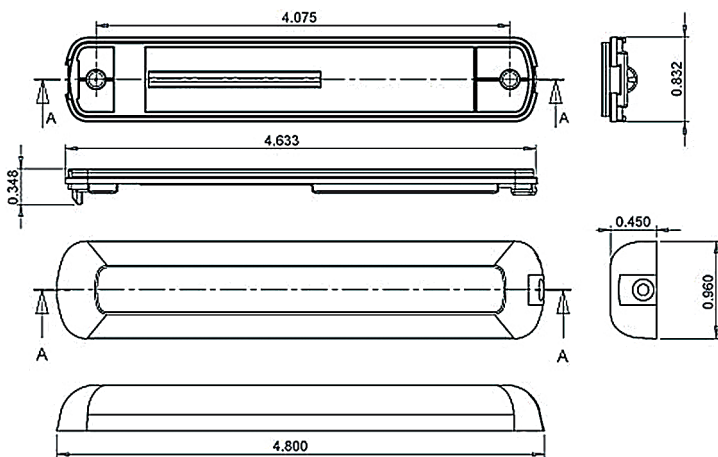
NOTE: THE MANUFACTURER IS NOT RESPONSIBLE FOR ANY RADIO OR TV INTERFERENCE CAUSED BY UNAUTHORIZED MODIFICATIONS TO THIS EQUIPMENT. SUCH MODIFICATIONS COULD VOID THE USER'S AUTHORITY TO OPERATE THE EQUIPMENT.



Check with your local government for instruction on disposal of these products.

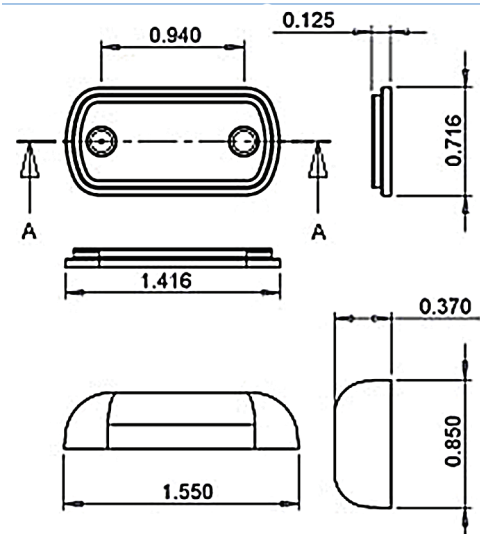
Dimensions

Switch and Switch Base



Measurements in inches

Magnet and Magnet Base



Ordering information

Window Contact

VWA5000W5045W

Door Contact

VWA5000D5045W