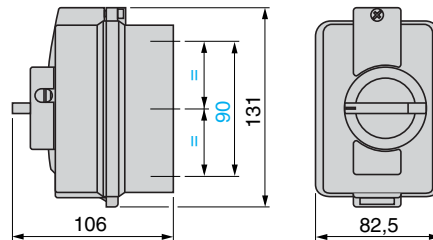


# Safety control and protection solutions

## VARIO enclosed switch disconnectors

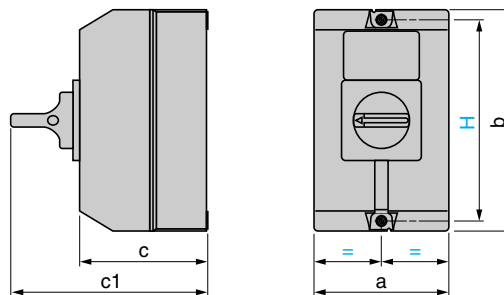
### Dimensions

#### VCFN 12GE to VCFN 40GE



Cable glands: 2 x 16 P top and bottom

#### VCF 02GE to 4GE, VCFX GE1 to GE4

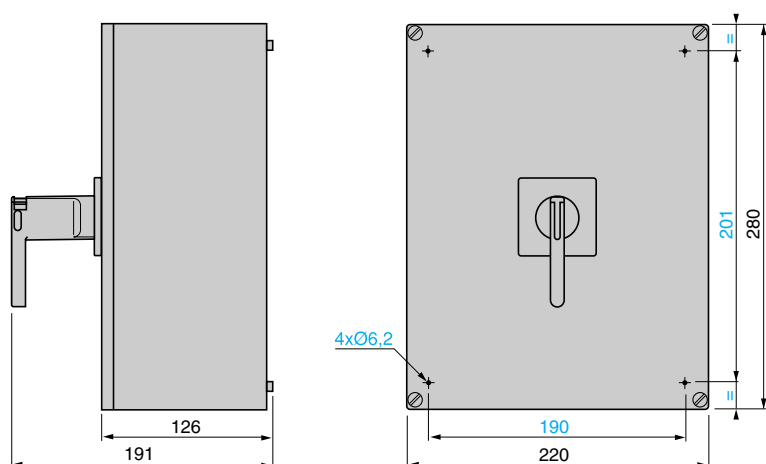


	a	b	c	c1	H
VCF 02GE to VCF 2GE, VCFX GE1 (1)	90	146	85	131	130
VCF 3GE and VCF 4GE (2)	150	170	106	152	164
VCFX GE2 and VCFX GE4 (2)	150	170	106	152	164

(1) Cable glands: 2 x 16 P top and bottom

(2) Cable glands: 2 x 16/21/29 P top and bottom

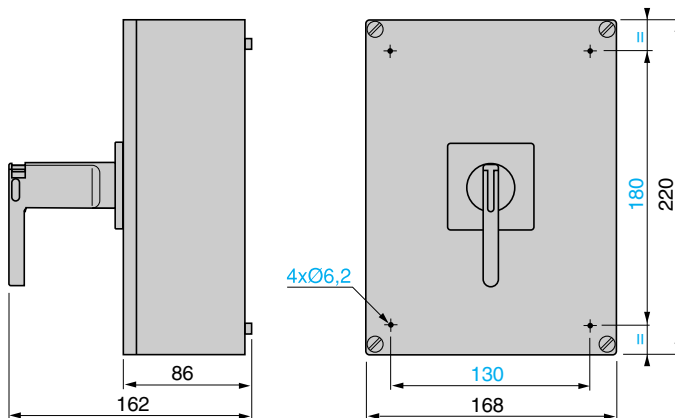
#### VCF 5GE and 6GE



## Dimensions (continued)

### Empty enclosures

VCFX GDXE



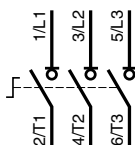
## Schemes

### Switch disconnectors

Enclosed switch disconnectors or switch bodies

Main pole module

Neutral pole module



### Auxiliary contact blocks

VZ 7

VZ 20

VZN 05

VZN 06

