

# Enclosed starters

## VARIO™ enclosed switch disconnectors for the North American market, conforming to UL® and CSA® standards



VC1 GUN



VC3 GUN



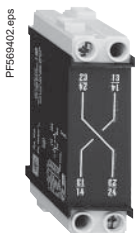
VC5 GUN



VZ 11



VZ 15



VZ 20

### Enclosed switch disconnectors for high performance applications

- Three-pole rotary switch disconnectors, 25–140 A, conforming to IEC 60947-4-1, IEC 60204, UL 508 and CSA 22.2 n° 14.
- Marking on operator  $\circ \downarrow$
- Padlock operating handle (padlocks not included).
- NEMA type 1 and type 12 enclosures, IP 65 degree of protection, able to be sealed and / or locked.

Three-pole main and Emergency stop switch disconnectors <sup>(1)</sup>										
Operator Handle	Front plate Dimensions	Rating		Standard power ratings of UL motors			Incorporated switch body	Reference	Weight	
		IEC	UL	240 V	480 V	600 V				
		in. / mm	A	A	HP	HP	HP			
Red, standard, padlockable with up to 3 padlocks (Ø 4 to Ø 8)	Yellow 2.4 x 2.4 / 60 x 60	32	20	5	10	10	V1	2	VC1 GUN	1.0 / 0.500
		40	25	5	10	15	V2	2	VC2 GUN	1.0 / 0.500
		63	45	10	20	30	V3	2	VC3 GUN	2.0 / 0.930
		80	63	15	30	40	V4	2	VC4 GUN	2.0 / 0.930
Red, long, padlockable with up to 3 padlocks (Ø 4 to Ø 8)	Yellow 3.5 x 3.5 / 90 x 90	125	100	25	50	50	V5	1	VC5 GUN	4.8 / 2.190
		175	115	30	50	60	V6	1	VC6 GUN	4.8 / 2.190

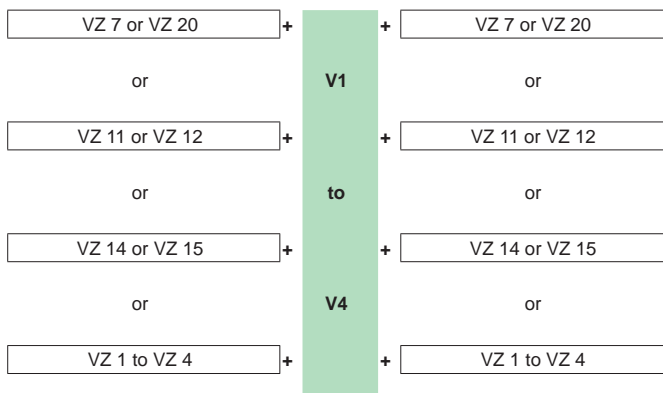
### Add-on modules for VC enclosure

Description	Rating A	Weight lb. / kg
Main pole module (mounted in enclosure)	25	VZ 1 0.12 / 0.050
	32	VZ 2 0.12 / 0.050
	50	VZ 3 0.22 / 0.100
	63	VZ 4 0.22 / 0.100
Neutral pole module with early make and late break contacts	10 to 32	VZ 11 0.12 / 0.050
	50 and 63	VZ 12 0.22 / 0.100
	100 and 140	VZ 13 0.55 / 0.250
Grounding modules	10 to 32	VZ 14 0.12 / 0.050
	50 and 63	VZ 15 0.22 / 0.100
	100 and 140	VZ 16 0.55 / 0.250

Description	Type of contacts	Weight kg
Auxiliary contact block modules with 2 auxiliary contacts	N/O + N/C <sup>(2)</sup>	VZ 7 0.12 / 0.050
	N/O + N/O	VZ 20 0.12 / 0.050

### Maximum number of add-on modules that can be fitted on a switch body

1 add-on module on each side of the switch body

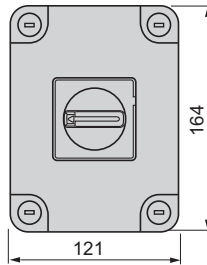
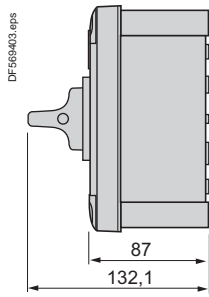


# Enclosed starters

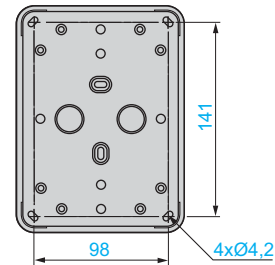
VARIO™ enclosed switch disconnectors for the North American market, conforming to UL® and CSA® standards

## Dimensions

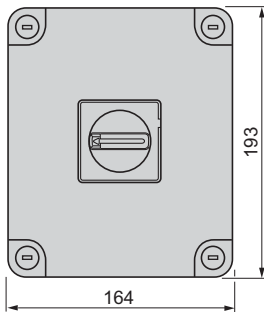
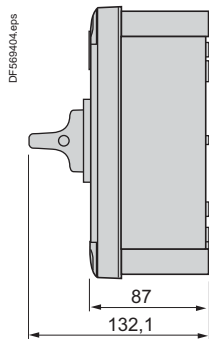
### VC1 GUN and VC2 GUN



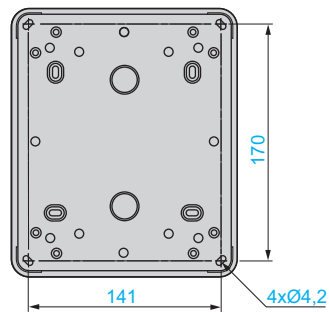
Rear view



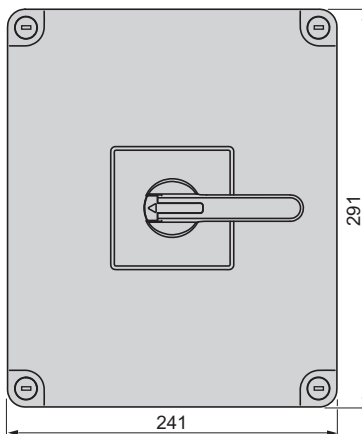
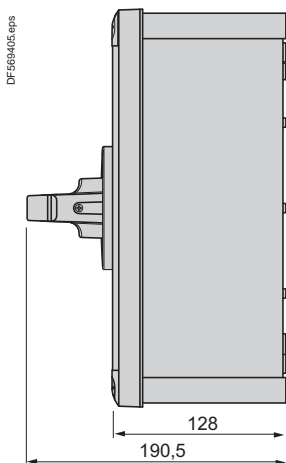
### VC3 GUN and VC4 GUN



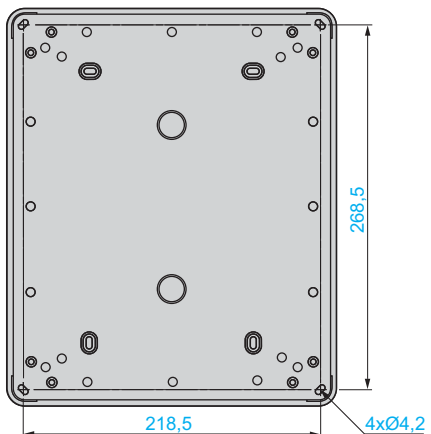
Rear view



### VC5 GUN and VC6 GUN



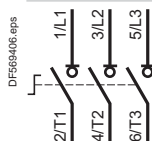
Rear view



## Schemes

### Switch disconnectors

Enclosed switch disconnectors or switch bodies



Main pole module

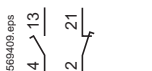


Neutral pole module



### Auxiliary contact block modules

VZ 7



VZ 20

