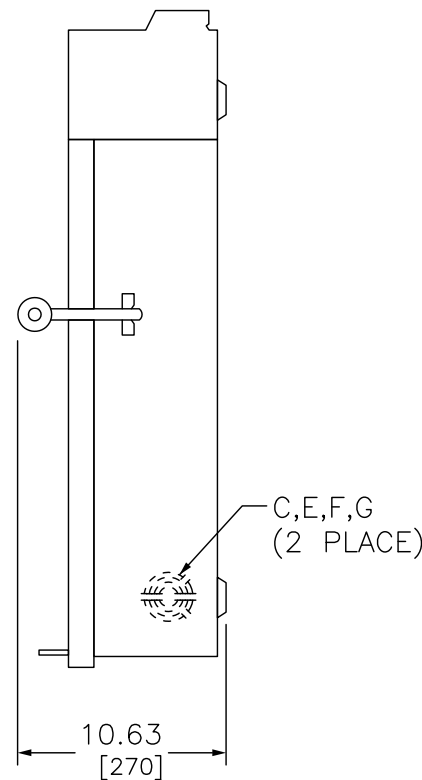


FRONT



SIDE

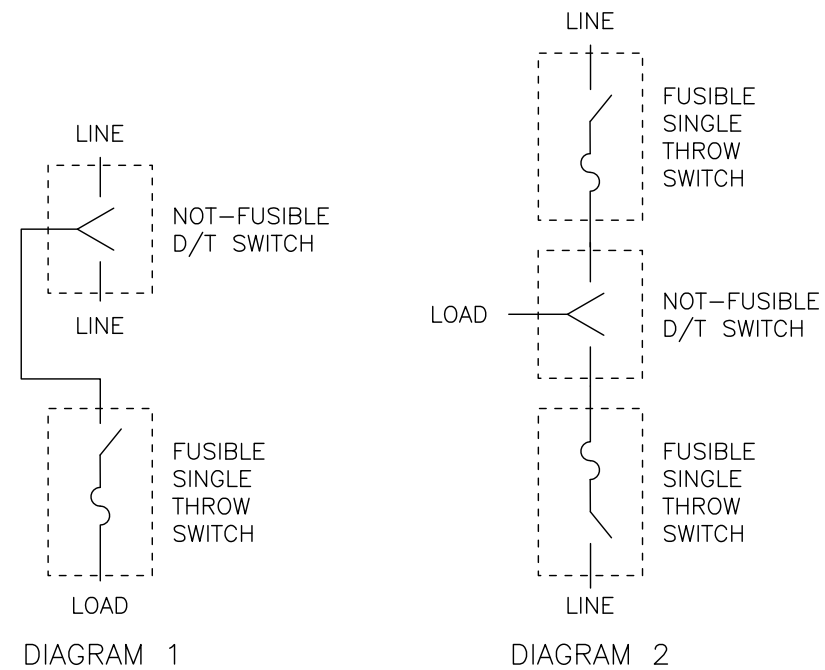
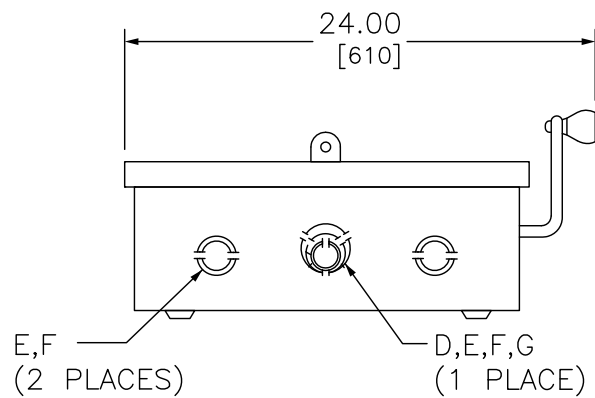
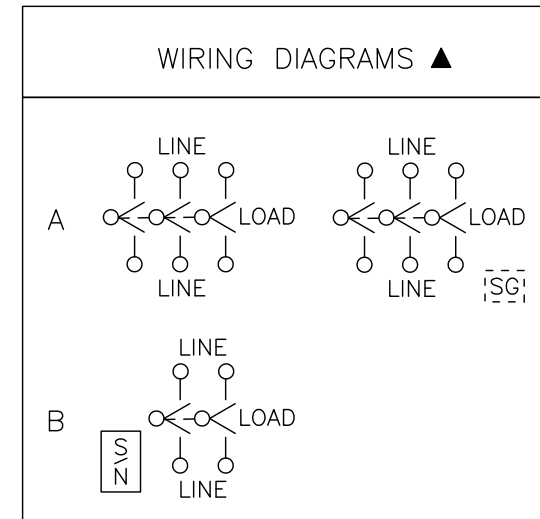


DIAGRAM 1 AND 2 ILLUSTRATE METHODS OF APPLYING FUSES TO DOUBLE THROW SWITCHES WHEN REQUIRED.

SYMBOL	KNOCKOUTS ◆	
	CONDUIT SIZE IN	CONDUIT SIZE MM
A	.50	13
B	.75	19
C	1.00	25
D	1.25	32
E	1.50	38
F	2.00	51
G	2.50	64
H	3.00	76



WIRING DIAGRAMS ▲

DTU244NRB * TERMINAL LUGS			
AMPERES	MAX	MIN	TYPE
200	250	4	AL/CU

*TABLE SHOWS NEUTRAL SIZE LOAD/LINE ARE SAME SD 82344RB

82344RB TERMINAL LUGS			
AMPERES	MAX WIRE	MIN WIRE	TYPE
200	300 KCMIL	#6 AWG	AL/CU

DUAL DIMENSIONS: INCHES
MILLIMETERS

NOTES:
 FINISH - GRAY BAKED ENAMEL
 UL LISTED - FILE E-2875 CSA CERTIFIED - FILE # LL-89067
 SUITABLE FOR USE AS SERVICE EQUIPMENT IN THE U.S.
 SHORT CIRCUIT CURRENT RATING:
 10,000 AMPERE WHEN PROTECTED BY CLASS H OR K FUSES.
 82,000 LINE AND DTU DEVICES ARE QUICK-MAKE, QUICK-BREAK.
 ◆ TOP OF NEMA TYPE 3R DEVICES HAVE PROVISIONS FOR MAXIMUM 2.50/[64] BOLT-ON HUB.
 ▲ SERVICE GROUND NOT SUPPLIED. ORDER SEPARATELY AS SERVICE EQUIPMENT USA ONLY. ORDER KIT DT100SG.
 * WHEN CSA CERTIFICATION IS REQUIRED ORDER CATALOG NO #C82344RB.
 & FACTORY INSTALLED NEUTRAL FOR 200A, 3 PHASE, 4-WIRE, 480 VAC/250 VDC, #82344NRB IS SQUARE D SELF CERTIFIED AND IS NOT UL LISTED.

CATALOG NUMBER	VOLTAGE RATINGS	WIRING DIAG	HORSEPOWER RATINGS		KNOCKOUTS	
			240VAC	480VAC	BOTTOM	HANDLE SIDE
DTU224NRB & *82344RB	240VAC 480VAC;250VDC	B A	15 - 1Ø -	- 15 - 3Ø	(1) 1.25, 1.50, 2.00, 2.50 (2) 1.50, 2.00	(1) 1.00, 1.50, 2.00, 2.50

DOUBLE THROW SAFETY SWITCHES
 200 AMPERE
 ENCLOSURE - NEMA TYPE 3R RAINPROOF



DWG# 2197
NO.