

Beacons and indicator banks

Beacons and indicator banks Ø 70 mm Application, Harmony type XVD, pre-assembled and for customer assembly



Pre-assembled beacon XVD fitted with "flash" discharge tube

Pre-assembled indicator bank XVD fitted with 2 illuminated units and 1 audible unit

Presentation

Ø 70 mm beacons and indicator banks type XVD are available in 2 forms:

- Supplied complete, with 1, 2, 3 or 4 steady light illuminated signalling units, with or without flash unit, with or without audible unit (buzzer), depending on the reference.
- Pre-assembled, they are pre-cabled and fitted with a fixing base.
- The light source (BA 15d base fitting incandescent bulb or LED) is included.
- The pre-assembled and pre-cabled indicator banks cannot be modified due to the wiring.

- Ø 70 mm beacons and indicator banks type XVD are also available as separate components for customised configuration by the user.

Light signalling

- 6 catalogued lens unit colours (green, red, orange, blue, clear and yellow) are available as separate components.
- These lens units can be fitted with steady or flashing light signalling LEDs which provide a long service life by considerably reducing heating and power consumption. However, incandescent bulbs can also be used.

- Some pre-assembled and pre-cabled models are available with a 5 Joule orange or red "flash" unit, but other colours can be ordered as separate components.

Audible signalling

Pre-assembled and pre-cabled indicator banks are supplied with or without an audible unit (buzzer) depending on the model selected.

- The volume of the audible signal is adjustable up to a value of 90 decibels at a distance of 1 m.
- Microswitches located in the audible unit enable selection of the signal frequency: continuous or intermittent tone.

Cabling and mounting

- Pre-assembled Ø 70 mm beacons and indicator banks XVD incorporate 300 mm long connecting wires protruding from the fixing base.

- The wires have bared ends to enable direct connection without the need for wire stripping etc.

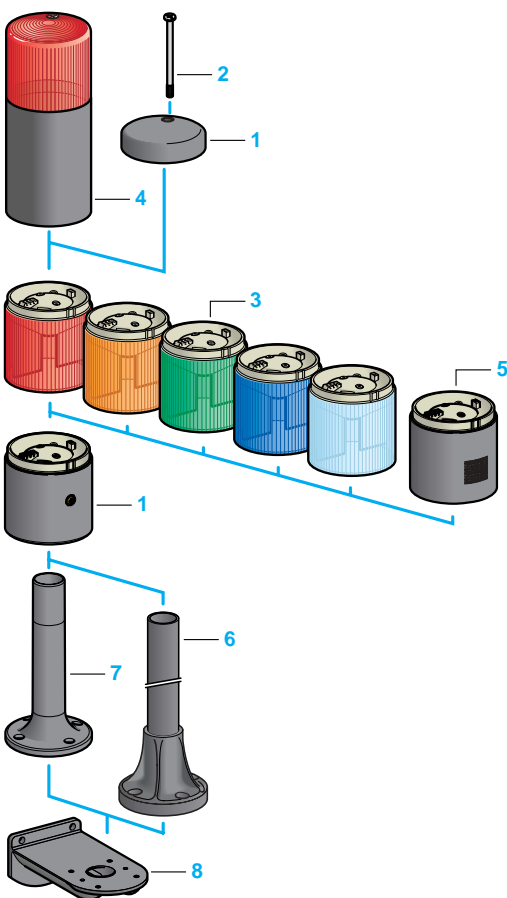
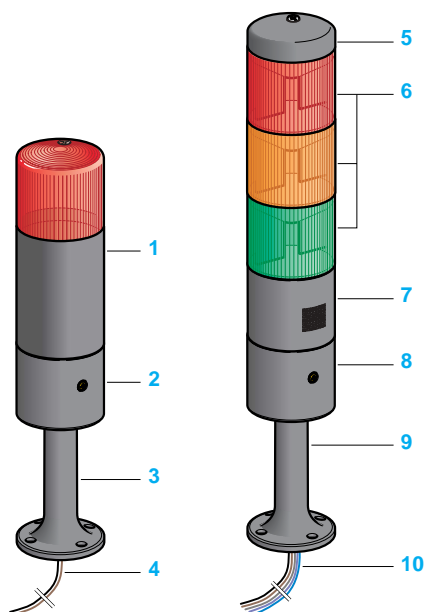
A label attached to the common (black wire) details the wire colour and associated unit in the bank, from bottom to top:

- brown: 1st unit,
- grey: 2nd unit,
- violet: 3rd unit,
- blue: 4th unit.

- The connections to customer assembled products are made to a removable terminal block incorporated in the base unit.
- Electrical connections between each unit are made automatically.
- The fixing of the combined units is assured by a single screw, the length of which depends on the number of units in the bank.

Beacons and indicator banks

Beacons and indicator banks Ø 70 mm Application, Harmony type XVD, pre-assembled and for customer assembly



Description

Pre-assembled Ø 70 mm beacons and indicator banks XVD

The beacons comprise:

- 1 an illuminated unit with "flash" discharge tube included, colour orange or red,
- 2 a base unit,
- 3 a 100 mm high plastic fixing base (support tube with integral fixing plate), for raising the beacon 80 mm,
- 4 different coloured connecting wires with bared ends, length protruding from support tube: 300 mm.

The indicator banks comprise:

- 5 a cover,
- 6 two, three or four illuminated units, colour red, green, orange or clear (depending on model), with light sources included,
- 7 an audible unit (buzzer), depending on model,
- 8 a base unit,
- 9 a 100 mm high plastic fixing base (support tube with integral fixing plate), for raising the indicator bank 80 mm,
- 10 different coloured connecting wires with bared ends, length protruding from support tube: 300 mm.

Breakdown of the reference for a complete indicator bank (1)

	XVD	Number of signalling units				
		1	2	3	4	
Voltage	≈ 24 V	B				
	≈ 110 V	G				
	≈ 230 V	M				
Light source	Incandescent bulb	1				
	LED	2				
Buzzer	Without	(2)				
	With	S				
Illuminated unit	Colour	Red	R	R	R	R
		Orange	A	A	A	A
		Green	G	G	G	G
		Clear	C	C	C	C
	Signalling	Fixed	(2)	(2)	(2)	(2)
	"Flash"	6	6	6	6	

(1) This table is purely for information and must not be used to create references.

(2) Not indicated, default value.

Reference example

XVD B2SGR = indicator bank for ≈ 24 V supply voltage comprising a buzzer, one green lens unit and one red lens unit, both fitted with an LED.

Ø 70 mm indicator banks XVD for customer assembly

A customised indicator bank can be obtained by assembling:

- 1 a cover and a base unit incorporating a removable terminal block (1) with bottom cable entry,
- 2 a fixing screw for the combined units (2),
- 3 5 illuminated units maximum (3), red, orange, green, blue or clear lens units, supplied without light source (4),
- 4 an illuminated unit with integral "flash" discharge tube (always mounted at the top of the bank),
- 5 an audible unit (buzzer),
- 6 a fixing base comprising an aluminium support tube glued into a plastic fixing plate, for raising the indicator bank by 80, 380 or 780 mm,
- 7 a plastic fixing base (support tube with integral fixing plate), height 100 mm,
- 8 a zamak fixing plate for use on a vertical support.

(1) Electrical connections to removable terminal block to be made by user.

(2) Variable length screw depending on the number of units to be combined. To be ordered separately, see page 35096/6.

(3) Maximum configuration possibilities:

- 5 illuminated units mounted on base unit.
- 4 illuminated units + 1 "buzzer" mounted on base unit.

(4) Incandescent bulbs or LEDs to be ordered separately, see page 35096/7.