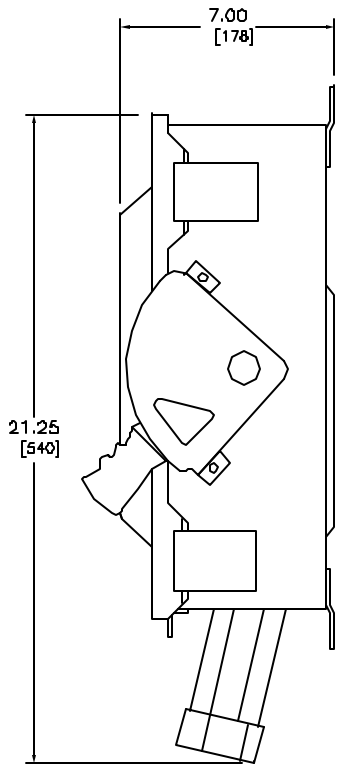
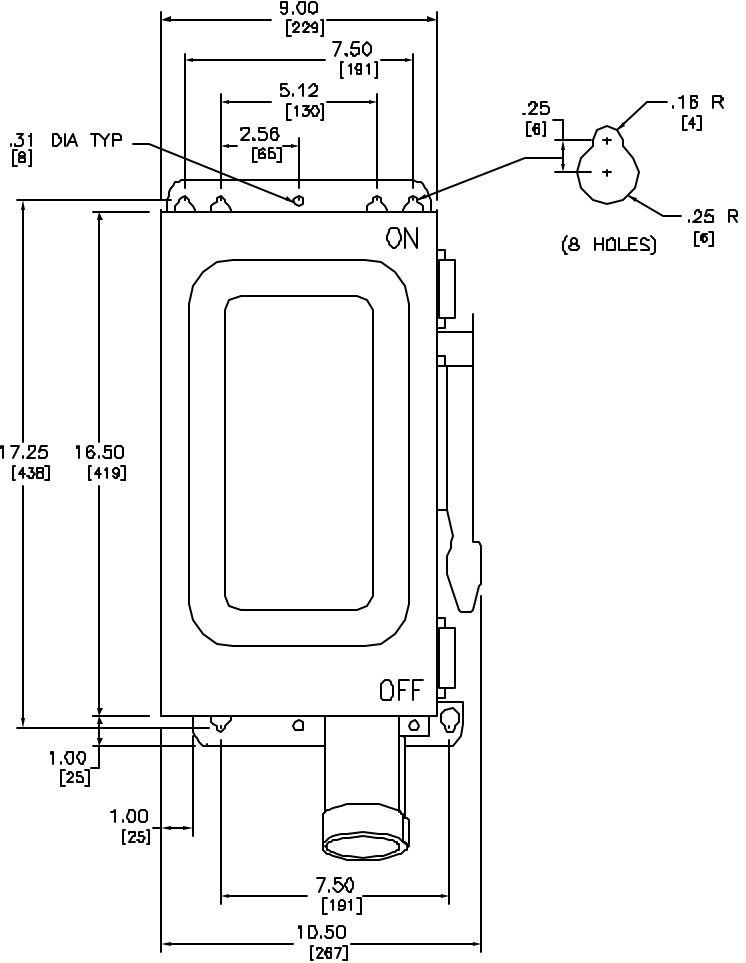


TERMINAL LUGS †			
AMPERES	MAX. WIRE	MIN. WIRE	TYPE
80	#3 AWG	#12 AWG	AL
80	#3 AWG	#14 AWG	CU



(HUBBLOCK RECEPTACLE)

DUAL DIMENSIONS: INCHES
MILLIMETERS

CATALOG NUMBER	VOLTAGE RATINGS	AMPERE RATING	WIRING DIAG.	HORSEPOWER RATINGS								
				240VAC		480VAC		600VAC				
				MAX.		STD.		MAX.		STD.		
				1Ø	3Ø	1Ø	3Ø	1Ø	3Ø	3Ø	1Ø	3Ø
H362AVH	600VAC	60	A	-	-	5	15	20	30	15	-	50
HJ362AVH	600VAC	60	B	10	20	-	-	25	50	-	3Ø	80

NOTES:
 FINISH: SWITCHES - GRAY BAKED ENAMEL
 HUBBLOCK RECEPTACLE - CADMIUM PLATED
 UL LISTED - FILE E-2875
 CSA CERTIFIED
 SHORT CIRCUIT CURRENT RATINGS:
 10,000 AMPERES WHEN USED WITH DR PROTECTED BY CLASS H DR K FUSES.
 WHEN MOUNTING THESE SWITCHES, ALLOW 4.00 IN / 102 MM MIN. CLEARANCE
 BETWEEN ENCLOSURES FOR OPENING OF SIDE HINGED DOOR.
 † LUGS SUITABLE FOR 80°C OR 75°C CONDUCTORS ONLY.

HEAVY DUTY SAFETY SWITCHES
 WITH RECEPTACLE
 60 AMPERE-SERIES F6
 ENCLOSURE - NEMA TYPE 12/3R



DMC# 1943
 NO.