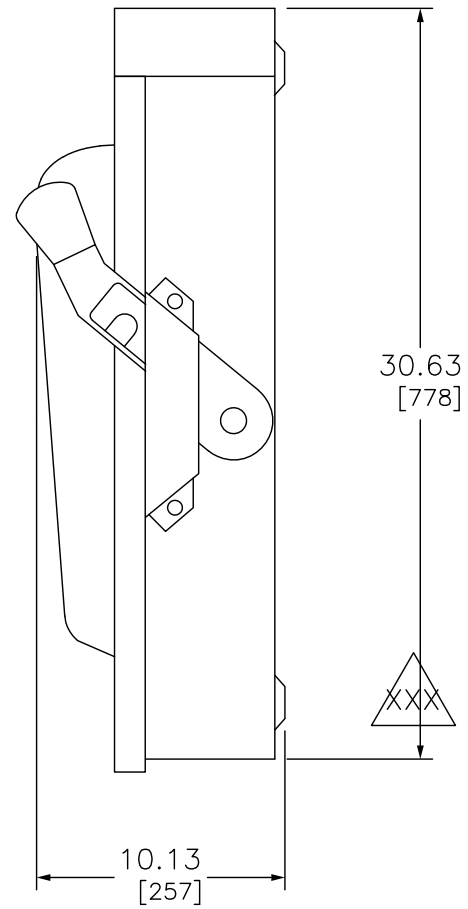
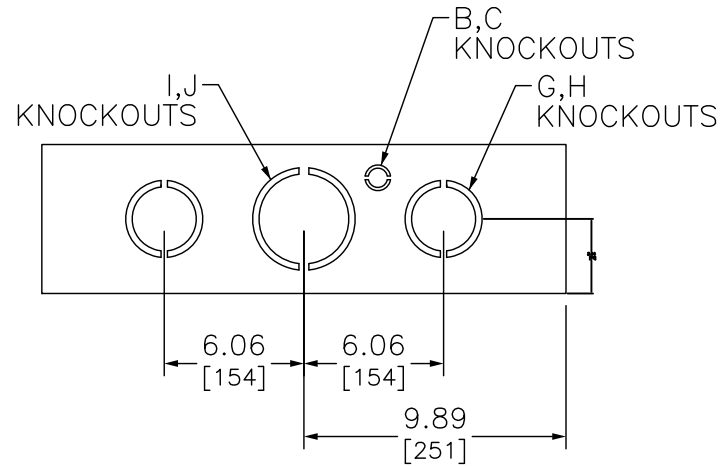


.44 DIA
[11]
(4 HOLES)

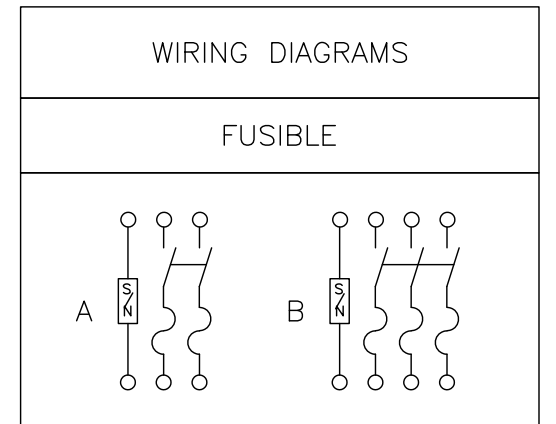


NEMA TYPE 3R



BOTTOM ENDWALL DETAIL

NOTES: FINISH - GRAY BAKED ENAMEL ELECTRODEPOSITED OVER CLEANED PHOSPHATIZED STEEL.
 UL LISTED - FILE E-2875
 ALL NEUTRALS - INSULATED GROUNDABLE
 SUITABLE FOR USE AS SERVICE EQUIPMENT
 NEMA TYPE 3R SWITCHES HAVE BLANK TOP ENDWALL.
 SHORT CIRCUIT CURRENT RATINGS:
 10,000 AMPERES WHEN USED WITH OR PROTECTED BY CLASS H OR K FUSES.
 100,000 AMPERES WHEN USED WITH OR PROTECTED BY CLASS R FUSES.
 •100,000 AMPERES WITH 300VAC CLASS T FUSES.
 ‡ LUGS SUITABLE FOR 75°C CONDUCTORS.
 WIRE BENDING SPACE PROVIDED FOR (2) 250 KCMIL MAX.



TERMINAL LUGS ‡			
AMPERES	MAX. WIRE	MIN. WIRE	TYPE
400	(2) 250 KCMIL	(2) #1/0 AWG	AL OR CU

KNOCKOUTS		
SYMBOL	CONDUIT SIZE	
	IN	MM
B	.75	19
C	1.00	25
D	1.25	32
E	1.50	38
F	2.00	51
G	2.50	64
H	3.00	76
I	3.50	89
J	4.00	102

DUAL DIMENSIONS: INCHES
MILLIMETERS

CATALOG NUMBER	VOLTAGE RATINGS	WIRING DIAG.	240VAC	
			STD.	MAX.
			3Ø	3Ø
D225NR	240VAC	A	-	-
D325NR	240VAC	B	50	125
D325NTR •	240VAC	B	50	-

GENERAL DUTY SAFETY SWITCH
 VISIBLE BLADE TYPE
 400 AMPERE
 ENCLOSURE - NEMA TYPE 3R RAINPROOF

SQUARE D
 by Schneider Electric

DWG# 1877
 NO.