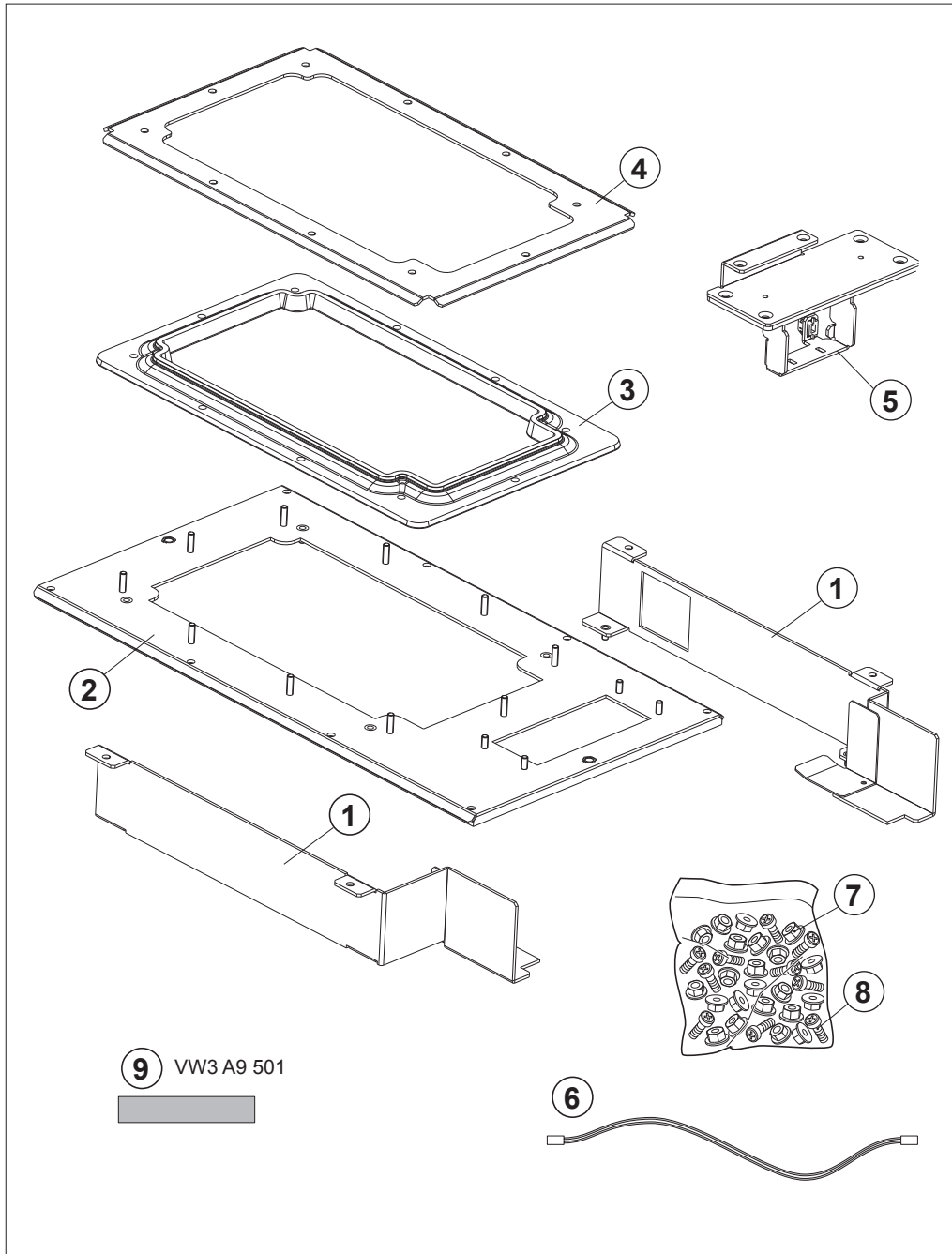
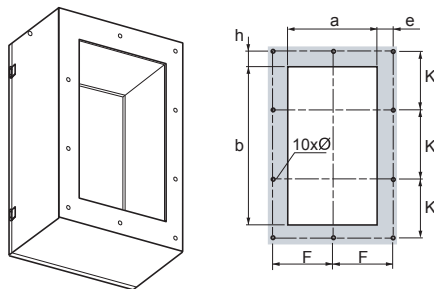
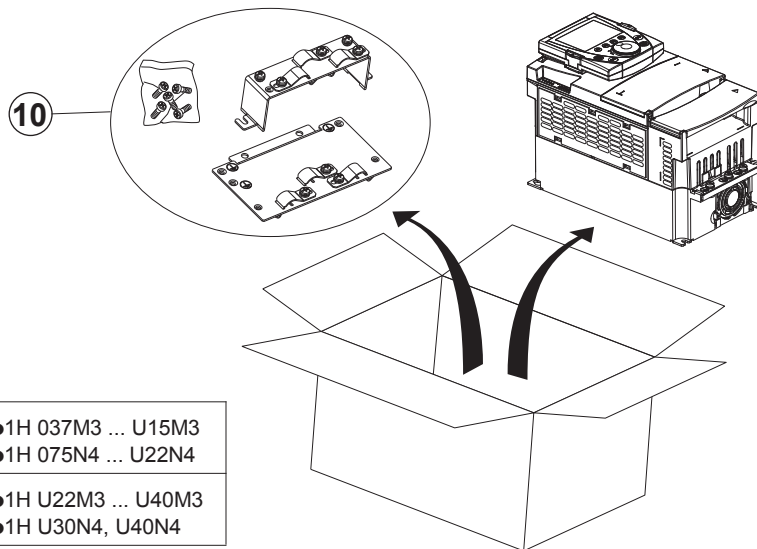




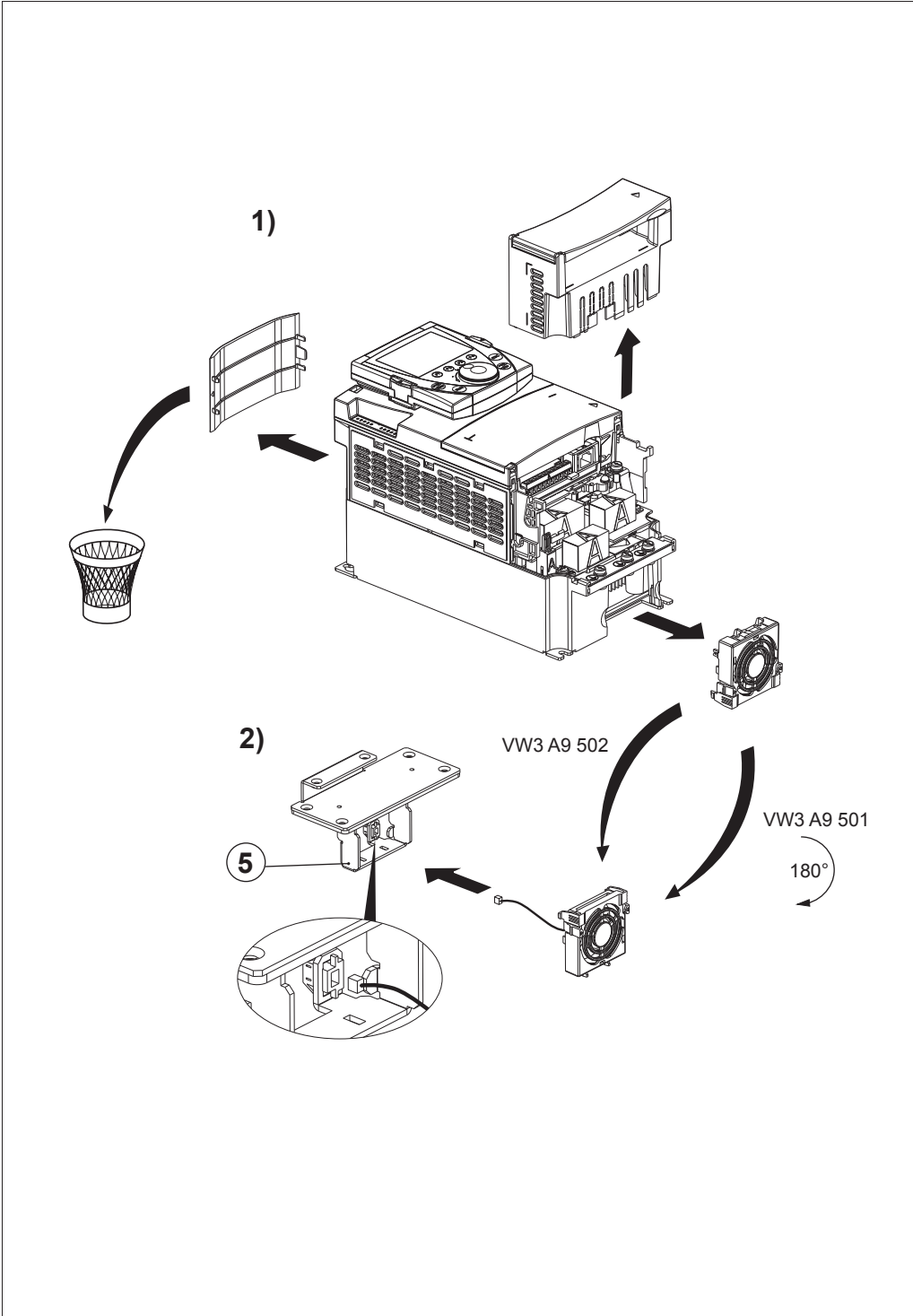
Altivar

VW3 A9 501 ... 502



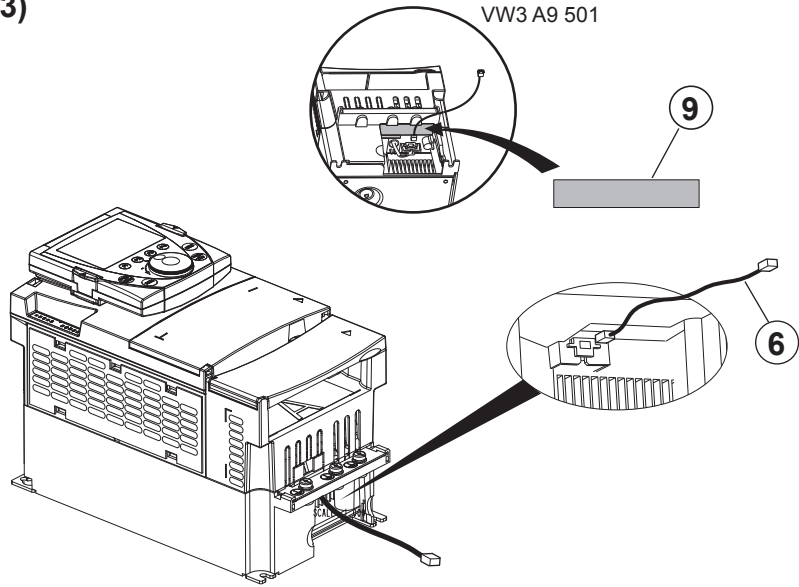


	a		b		F		K		h		e		Ø	
	mm	in.	mm	in.	mm	in.	mm	in.	mm	in.	mm	in.	mm	in.
VW3 A9 501	170	6.69	351	13.82	102,5	4.04	127	5.00	15	0.59	17,5	0.69	3,6	0.14
VW3 A9 502	198	7.80	384,5	15.14	116,5	4.59	137,5	5.41	14	0.55	17,5	0.69	3,6	0.14

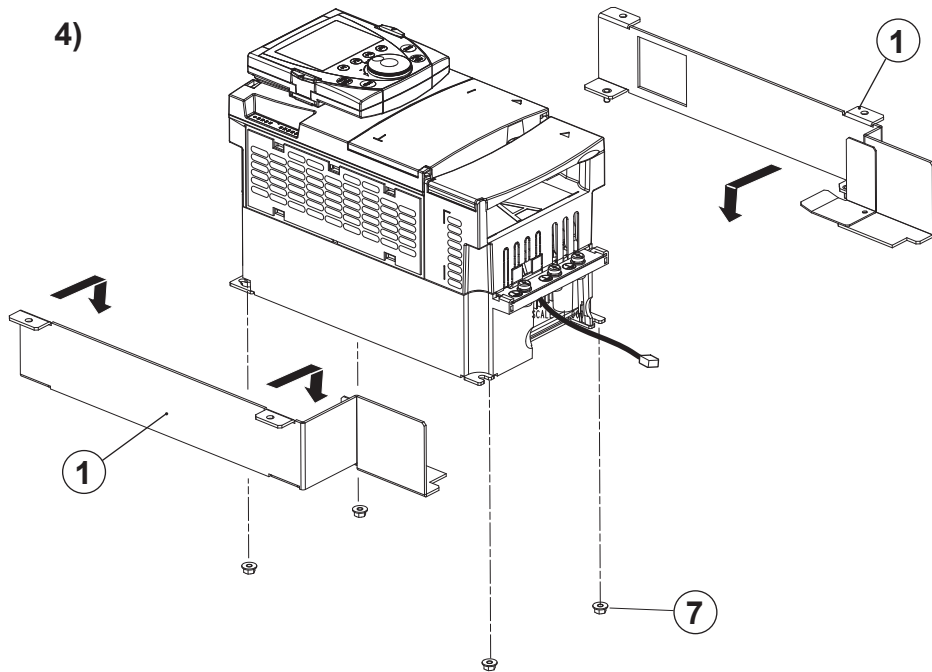


3)

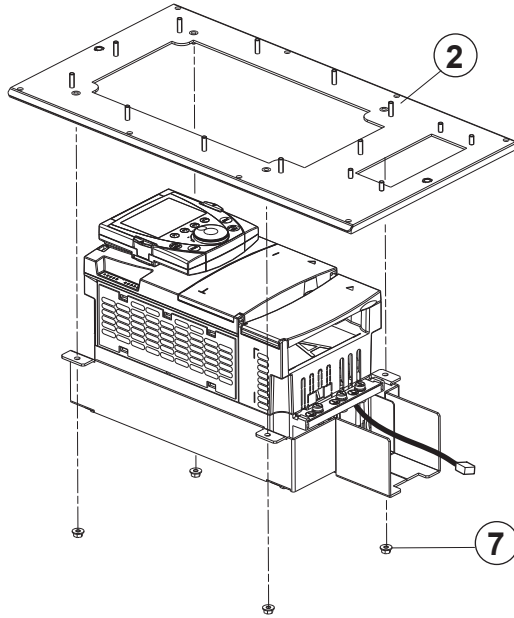
VW3 A9 501



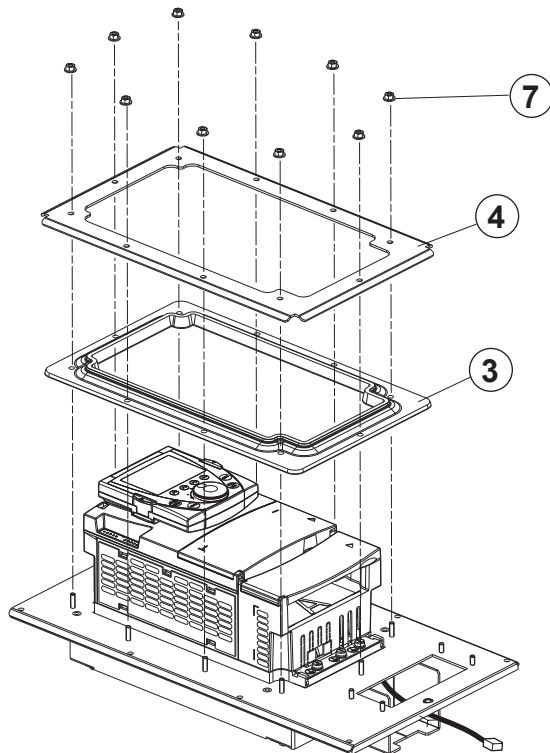
4)



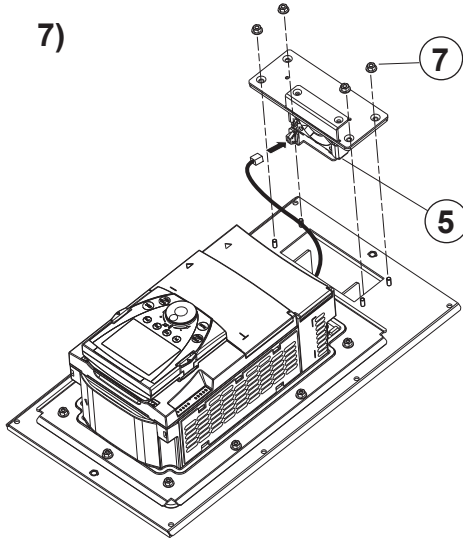
5)



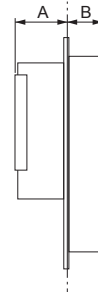
6)



7)



	A	B
VW3 A9 501	101 (3.96)	60 (2.36)
VW3 A9 502	99 (3.88)	70 (2.76)



8)

