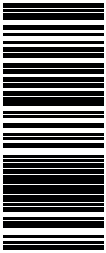
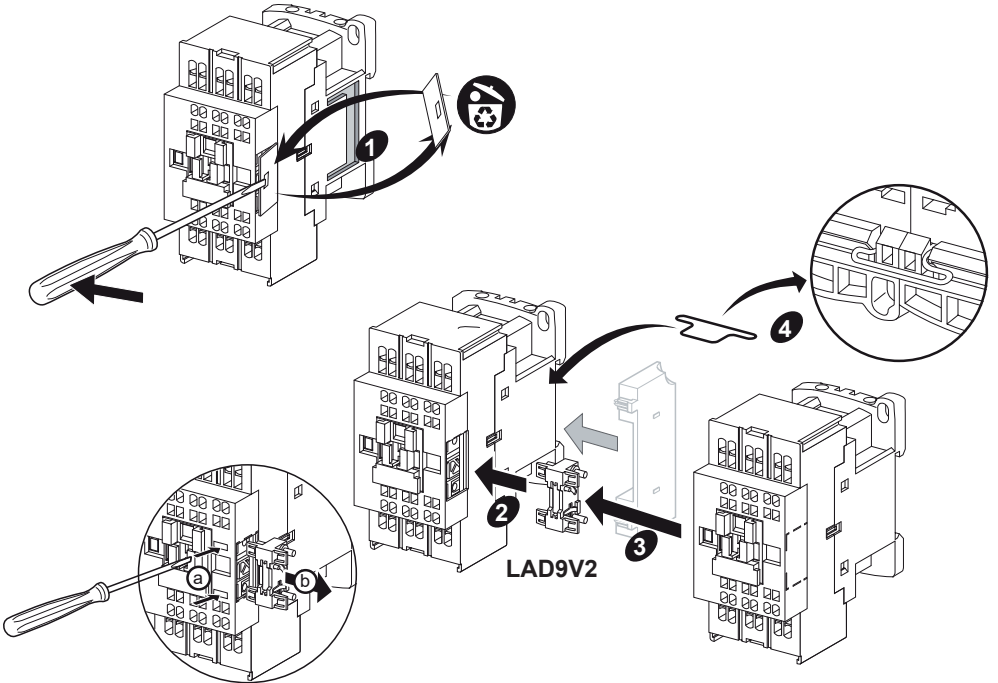
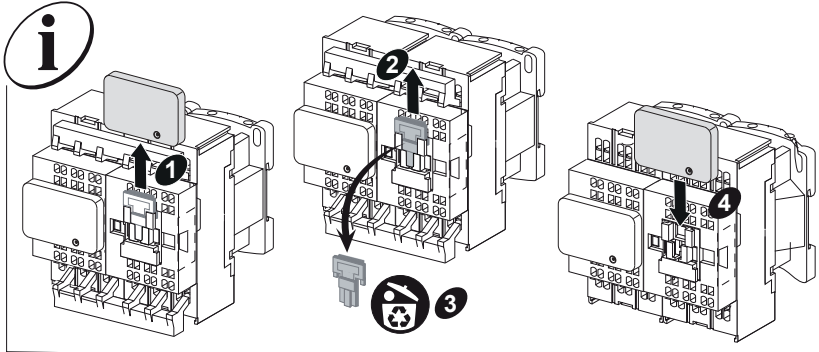


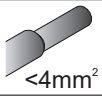
LAD9V10 / V11 / V12 / V13 (2 x LC1D●●3 / LC2D●●3)



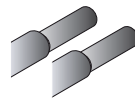
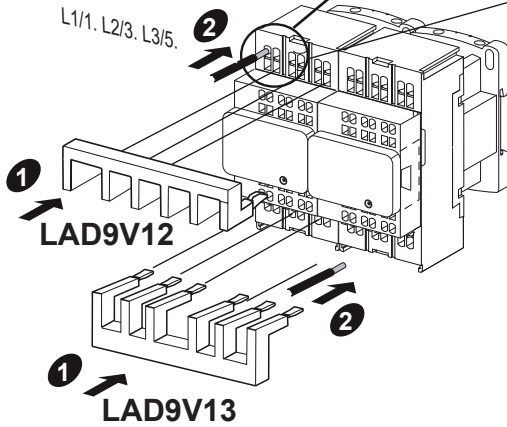
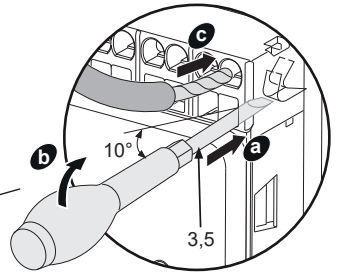
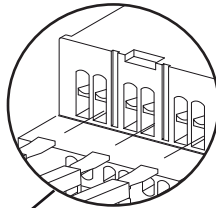
W916433930131



⚠ ⚠ DANGER
HAZARD OF ELECTRIC SHOCK, EXPLOSION, OR ARC FLASH
Disconnect all power before servicing equipment.
Failure to follow these instructions will result in death
or serious injury.



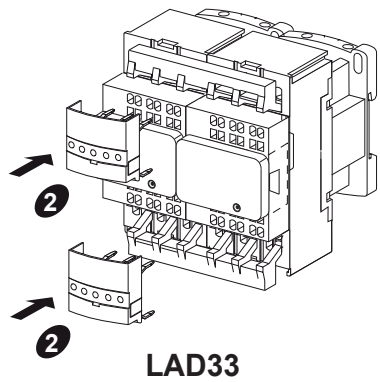
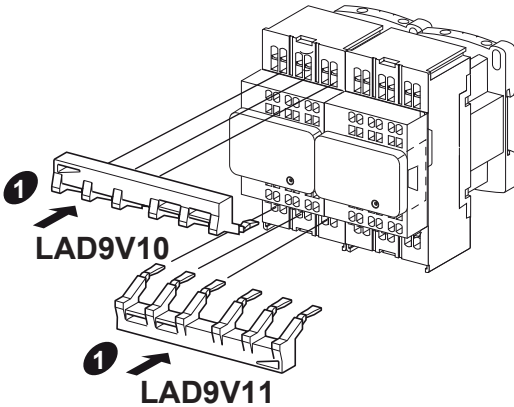
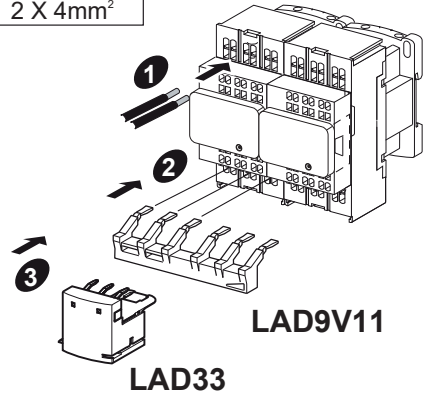
<4mm²

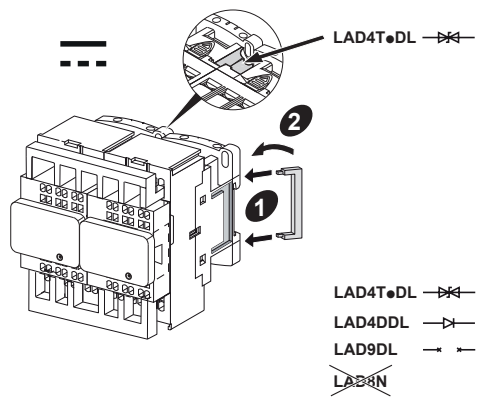
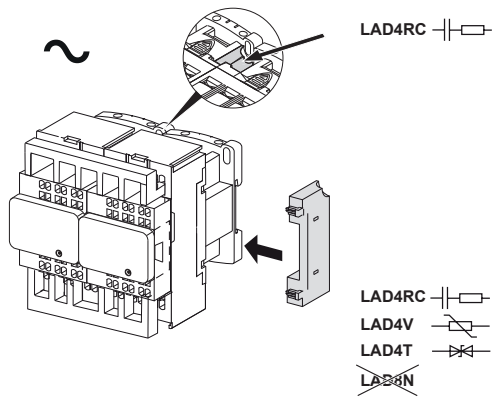


2 X 4mm²



LC2D323

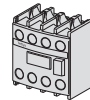




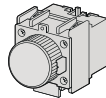
~ : Alternative current coil
 ⋮ : Continuous current coil
 LC : Continuous 100mA current coil
 AC/DC : Alternative and continuous current coil



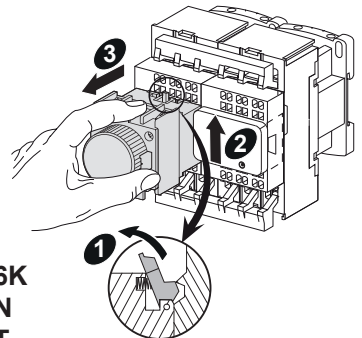
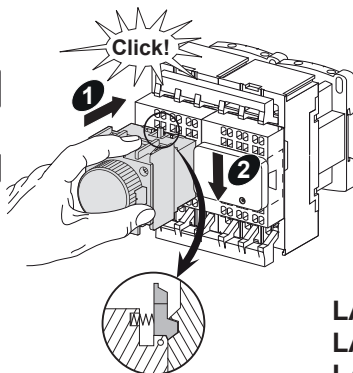
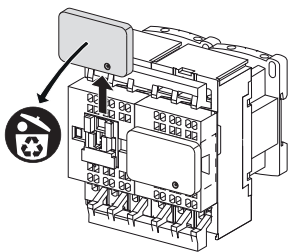
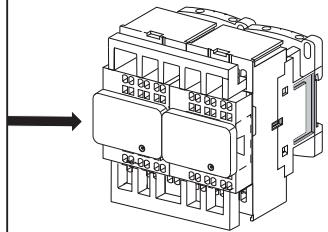
LADN
 ~, ⋮,
 LC, AC/DC



LADN
 ~, ⋮,
 AC/DC



LADT
 LADR
 ~, ⋮,
 AC/DC



LAD6K
 LADN
 LADT
 LADR

