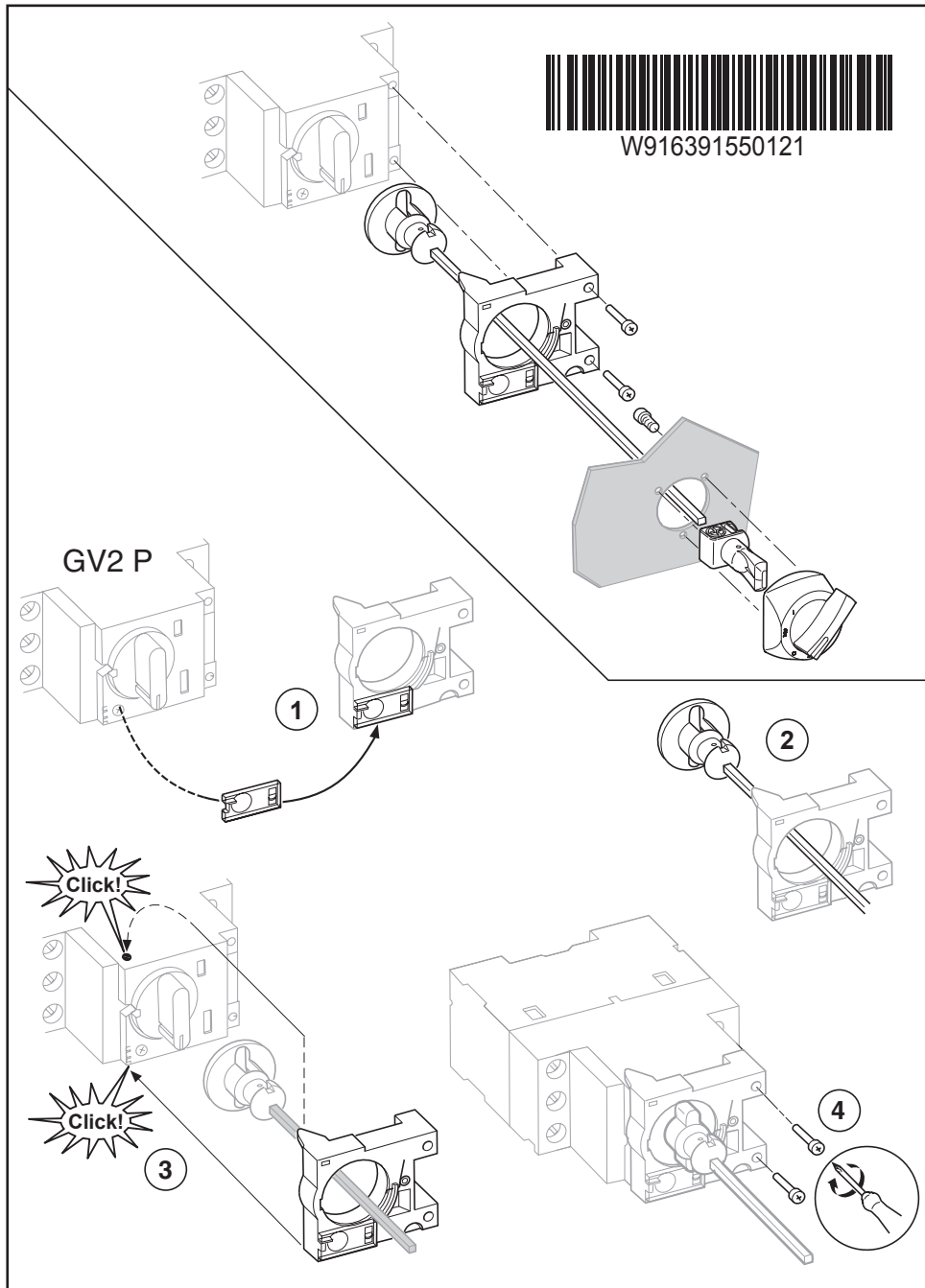
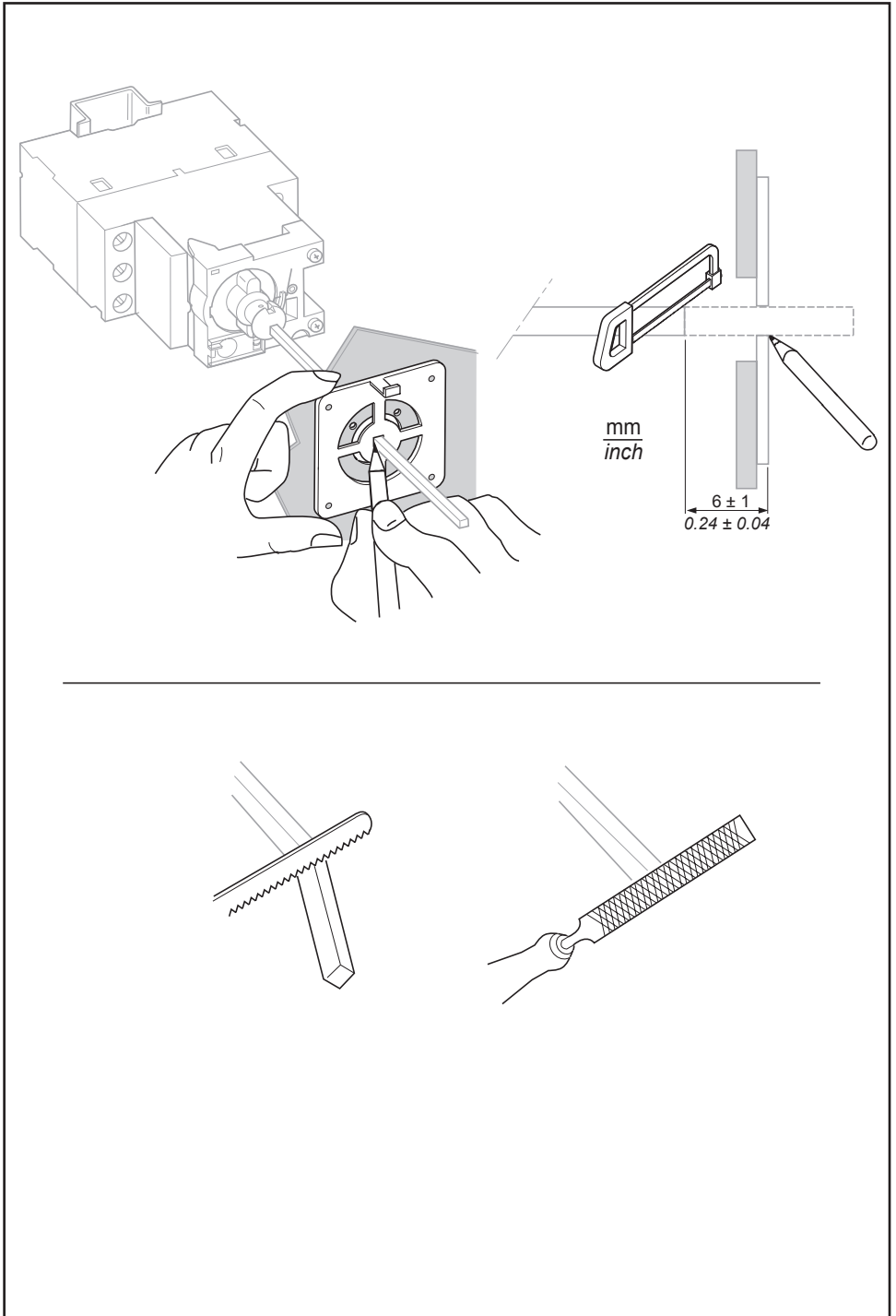


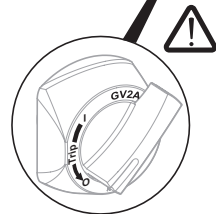
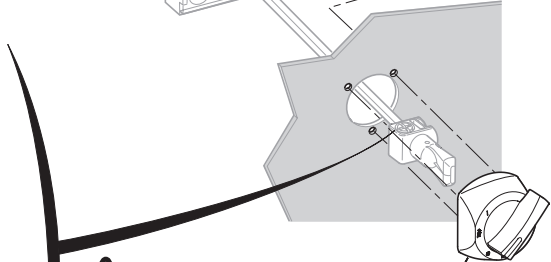
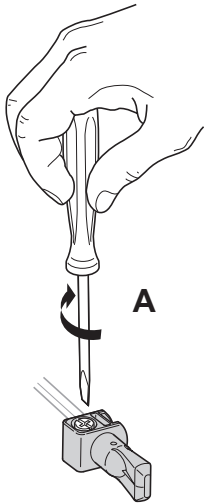
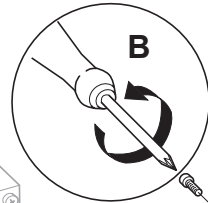
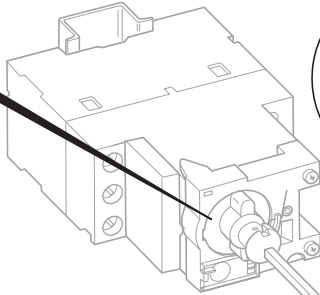
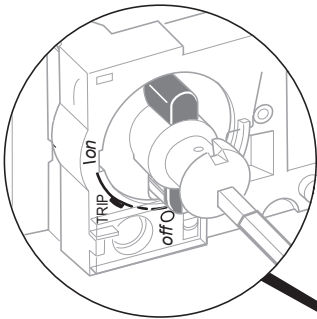






W916391550121





⚠ "OFF"



A			Nm	0.6
	Ø 3,5 mm (0.14 in)		pound-inch	5.4
B			Nm	0.6
	Philips N°2 (Ø6)		pound-inch	5.4