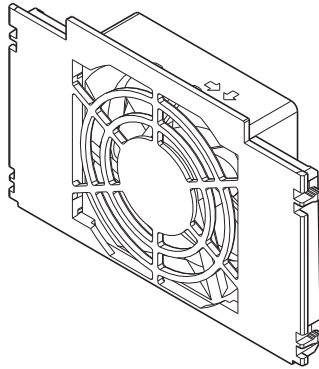




00159834814045

Altivar

Fan kit VZ3V3103



⚠ ⚠ DANGER

HAZARD OF ELECTRIC SHOCK, EXPLOSION, OR ARC FLASH

- Only appropriately trained persons who are familiar with and understand the contents of this manual and all other pertinent product documentation and who have received safety training to recognize and avoid hazards involved are authorized to work on and with this drive system. Installation, adjustment, repair, and maintenance must be performed by qualified personnel.
- The system integrator is responsible for compliance with all local and national electrical code requirements as well as all other applicable regulations with respect to grounding of all equipment.
- Many components of the product, including the printed circuit boards, operate with mains voltage. Do not touch. Use only electrically insulated tools.
- Do not touch unshielded components or terminals with voltage present.
- Motors can generate voltage when the shaft is rotated. Prior to performing any type of work on the drive system, block the motor shaft to prevent rotation.
- AC voltage can couple voltage to unused conductors in the motor cable. Insulate both ends of unused conductors of the motor cable.
- Do not short across the DC bus terminals or the DC bus capacitors or the braking resistor terminals.
- Before performing work on the drive system:
 - Disconnect all power, including external control power that may be present.
 - Place a "Do Not Turn On" label on all power switches.
 - Lock all power switches in the open position.
 - Wait 15 minutes to allow the DC bus capacitors to discharge. The DC bus LED is not an indicator of the absence of DC bus voltage that can exceed 800 Vdc.
 - Measure the voltage on the DC bus between the DC bus terminals (PA/+ and PC/-) using a properly rated voltmeter to verify that the voltage is <42 Vdc.
 - If the DC bus capacitors do not discharge properly, contact your local Schneider Electric representative. Do not repair or operate the product.
- Install and close all covers before applying voltage.

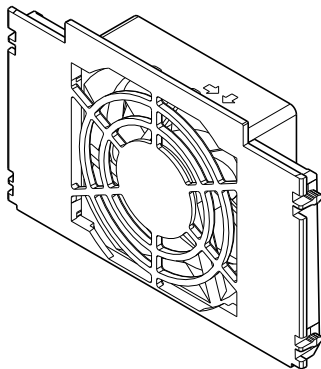
Failure to follow these instructions will result in death or serious injury.

Electrical equipment should be installed, operated, serviced, and maintained only by qualified personnel. No responsibility is assumed by Schneider Electric for any consequences arising out of the use of this product.

© 2018 Schneider Electric. All Rights Reserved.

Pour ATV31H●●● / For ATV31H●●●
Pour ATV212H●●●●● / For ATV212H●●●●●
Pour ATV312H●●●●● / For ATV312H●●●●●

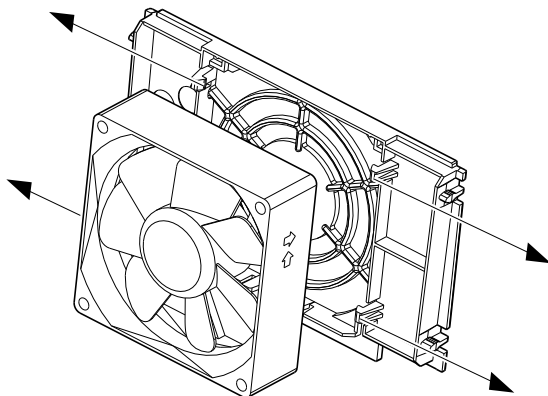
Remplacer le sous-ensemble ventilateur avec son support plastique.
Replace the fan sub-assembly with its plastic support.



Pour ATV31C●●● / For ATV31C●●●

Supprimer le support plastique du sous ensemble ventilateur fourni avant de procéder au remplacement décrit sur les pages suivantes.

Remove the plastic support of the fan sub-assembly supplied before proceeding with replacement described on the following pages.



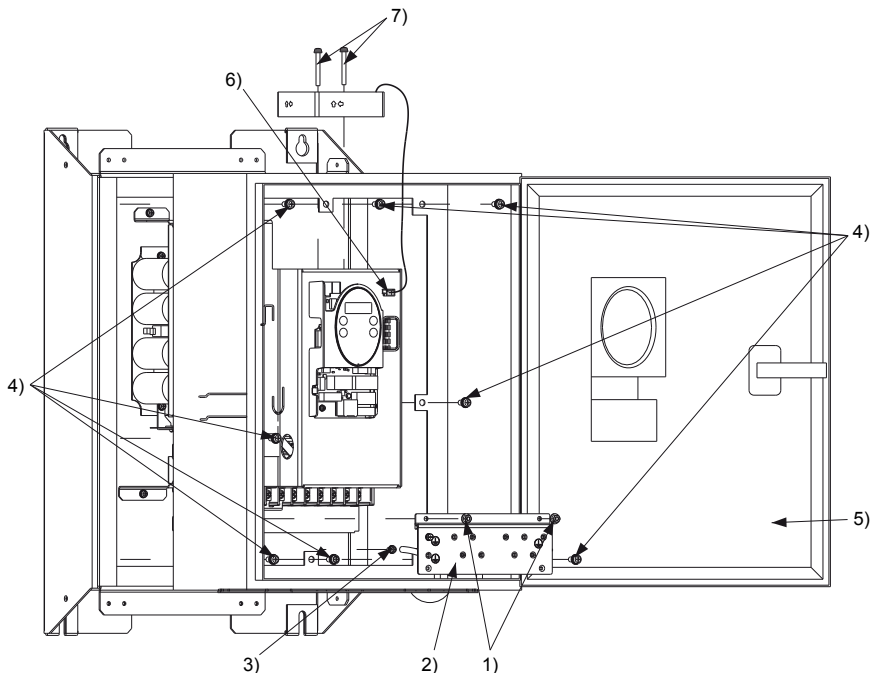
Pour ATV31C... / For ATV31C...

Démontage du sous-ensemble ventilateur :

- 1) (pour ATV31CU55N4 et ATV31CU75N4 uniquement) Retirer les 2 écrous de la plaque CEM.
- 2) (pour ATV31CU55N4 et ATV31CU75N4 uniquement) Retirer le filtre CEM
- 3) Déconnecter le câble de mise à la terre qui relie l'armoire au support métallique (3).
- 4) Desserrer les 8 vis qui fixent l'armoire au support.
Le ventilateur est situé sur la plaque métallique du support commande.
- 5) Retirer l'armoire avec précaution.
- 6) Déconnecter le ventilateur interne.
- 7) Retirer le ventilateur de son support métallique. Conserver les vis pour fixer le ventilateur sur le produit.

Dismantling the fan sub-assembly:

- 1) (for ATV31CU55N4 and ATV31CU75N4 only) Take off 2 nuts of the EMC plate.
- 2) (for ATV31CU55N4 and ATV31CU75N4 only) Take off the EMC filter.
- 3) Disconnect the grounding cable which connects the cabinet to the metal support (3).
- 4) Unscrew the 8 screws which fixed the cabinet with the support.
The fan is on the control support metal sheet.
- 5) Take off the cabinet carefully.
- 6) Disconnect the internal Fan.
- 7) Remove the fan from its metal support. Keep screws to fix fan on the product.



Pour ATV31C... / For ATV31C...

Remontage du sous-ensemble ventilateur :

- 1) Tenir le nouveau sous-ensemble ventilateur et sa fixation dans son emplacement.
Insérer les 2 vis fournies avec le nouveau ventilateur et les visser avec un couple de serrage de 1,1 à 1,7 Nm.
- 3) Reposer l'armoire, fermer la porte et prendre soin de vérifier la position de la fenêtre par rapport au clavier du variateur.
- 4) Visser l'armoire sur l'embase : 8 vis, couple de serrage de 2,6 à 3 Nm.
- 5) Mettre le fil de terre sur l'embase et serrer la vis (pour ATV31CU55N4 et ATV31CU75N4 uniquement).
- 6) Remonter la plaque CEM et revisser les deux écrous avec un couple de serrage de 1,1, à 1,7 Nm.

Reassembling of fan sub-assembly:

- 1) Hold the new fan sub-assembly and fixing into its place. Place the 2 screws delivered with the new fan and tighten them. Tightening torque of 1.1 to 1.7 Nm.
- 2) Reconnect the cable of the new fan.
- 3) Put back the cabinet, shut the door and be careful to check the position of the window of the door against the interface of the drive.
- 4) Screw the cabinet on the baseplate: 8 x screws with a tightening torque of 2.6 to 3 Nm
- 5) Putting the ground wire on the baseplate and screw one screw (for ATV31CU55N4 and ATV31CU75N4 only).
- 6) Screw back again the EMC plate with 2 nuts and a tightening torque of 1.1 to 1.7 Nm

