

IH: 15366

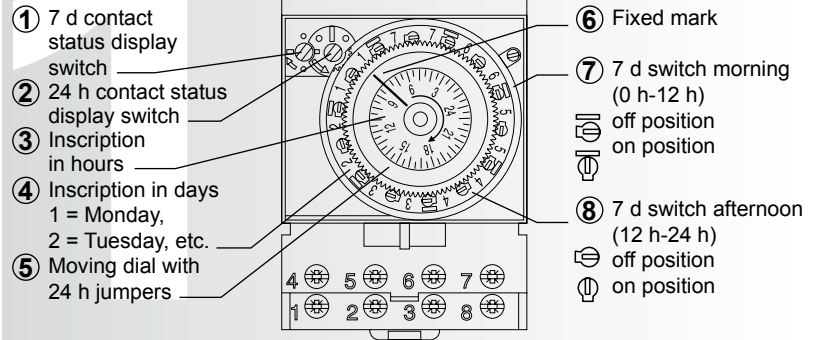


24 h + 7 d  
1C  
ARM

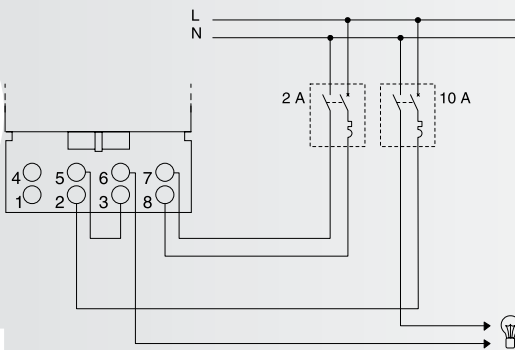
**Schneider**  
Electric

**Function**

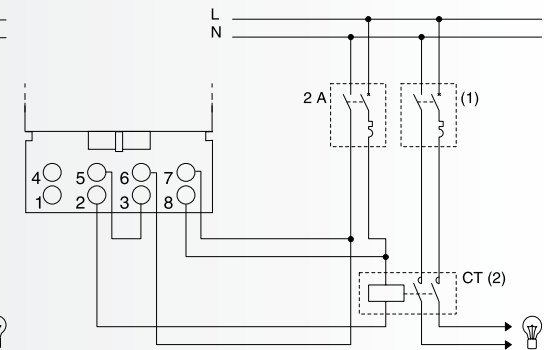
■ **Function:** the time switch automatically opens and closes a circuit according to a weekly and daily program established by plugging jumpers onto a moving dial. It is designed to operate a load according to a daily program, only in half-days (morning and afternoon) selected in the week.



**Applications**



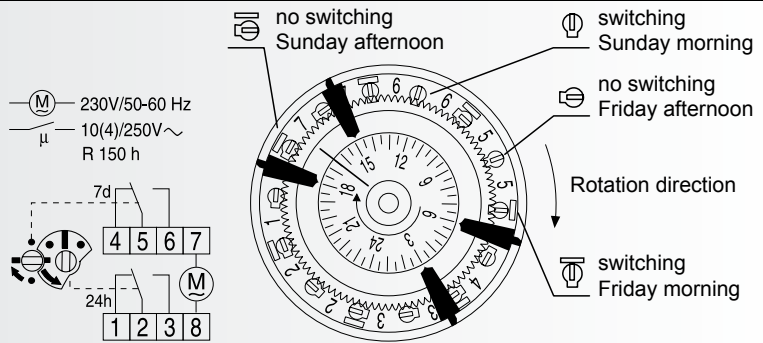
■ For loads less than 2300 W.



■ For loads exceeding 2300 W, use in conjunction with a contactor.

**Programming**

- Series connection of the 2 output contacts ensures daily operation (24 h contact) repeated in time brackets selected in half-days. The half days are in turn selected in the week.
- The yellow jumpers must be used for 24 h programming (on/off in turn) (terminals 1-2-3).
- The fixed blue and red switches ⑦ and ⑧ must be used for 7 d programming (on/off in turn) (terminals 4-5-6).
- Setting limits:
  - Gap between 2 slots = 15 min
  - Gap between 2 jumpers = 45 min.



■ In the above example the load will operate every Friday morning from 3 a.m. to 6 a.m. and every Saturday afternoon from 3 p.m. to 6 p.m.

**Setting**

- Turn the graduated dial in the direction shown to bring the figures for the required day and hour opposite the fixed mark ⑥.
- Check proper operation of switching by rotating the switches ① and ②.
- The quartz motion (ARM) starts after a few minutes.

**Modifying**

You can manually reverse the existing program by reversing the position of switches ⑦ and/or ⑧.

■ **Caution!**  
Do not forget to put the switches back in their initial position to recover the existing program.

**Characteristics**

- Supply voltage: 230 V ±10 %
- Frequency: 50/60 Hz
- Rating: 10 A/250 V ~ cosφ = 1; 4 A/250 V ~ cosφ = 0.6
- Consumption: 2.5 VA
- Quartz motion
- Operating reserve: 150 hours
- Minimum time between 2 switchings: 45 min
- Type of setting: 1 B STU according to EN 60730
- Operating temperature: -10°C to +50°C
- Terminal capacity: 6 mm<sup>2</sup>
- Overall dimensions: 6 modules of 9 mm.

**Acceptable power**

incandescent lamp 230 V	1100 W
halogen lamp 230 V	1100 W
non compensated fluorescent tube/serial compensated fluorescent tube with conventional ballast	15 x 40 W - 10 x 58 W - 6 x 100 W
parallel compensated fluorescent tube with conventional ballast	2 x 40 W (4.7 μF) - 1 x 58 W (7.0 μF)
dual-mounted fluorescent tube with conventional ballast	5 x (2 x 58 W) - 3 x (2 x 100 W)
parallel compensated sodium vapour lamp	relay by contactor CT
parallel compensated HQL fluorescent balloon	relay by contactor CT