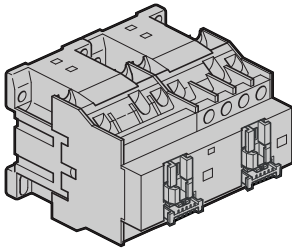
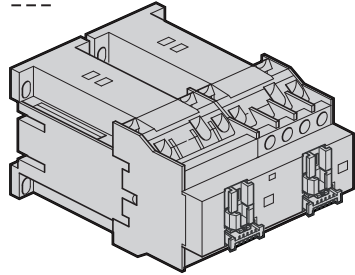


# CA2 DK22/CA3 DK22

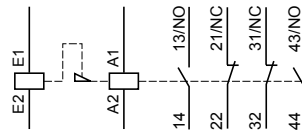
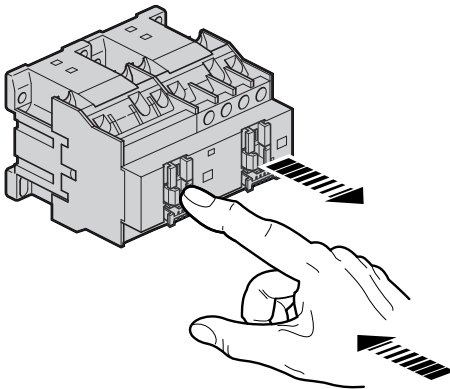
*Contacteurs auxiliaires à accrochage*  
LATCHING CONTROL RELAYS  
SPERRELAIS  
CONTATTORI AUSILIARI AD AGGANCIO MECCANICO  
CONTACTORES AUXILIARES DE MEMORIA

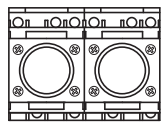
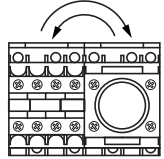
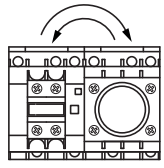
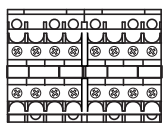
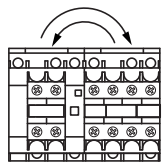
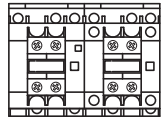
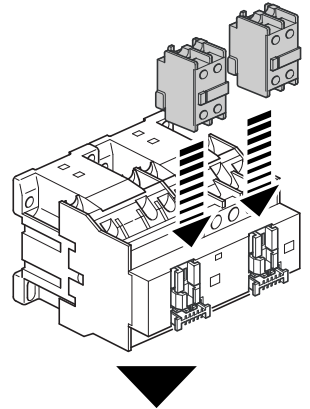
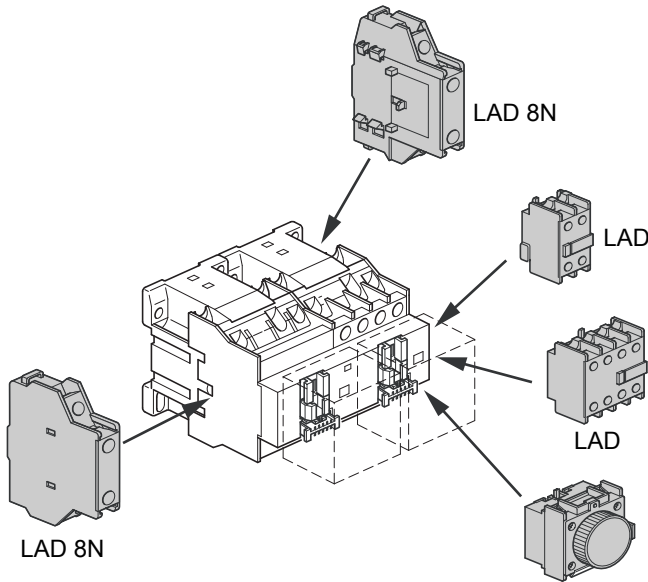


**CA2 DK22**



**CA3 DK22**



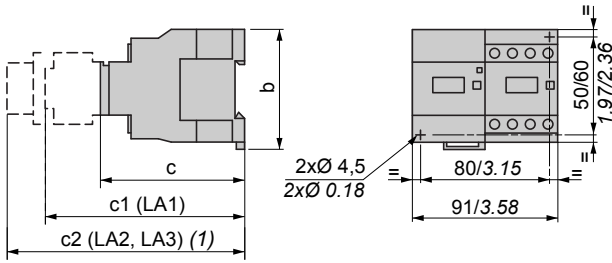


- |                       |          |
|-----------------------|----------|
| 1 "F" + 1 "O"         | LAD N11  |
| 2 "F"                 | LAD N20  |
| 2 "O"                 | LAD N02  |
| 2 "F" + 2 "O"         | LAD N22  |
| 1 "F" + 3 "O"         | LAD N13  |
| 4 "F"                 | LAD N40  |
| 4 "O"                 | LAD N04  |
| 3 "F" + 1 "O"         | LAD N31  |
| 2 "F" + 2 "O"         | LAD C22  |
| 2 "F"                 | LA1 DX20 |
| 2 "F" + 2 "F"         | LA1 DZ40 |
| 1 "F" + 1 "O" + 2 "F" | LA1 DZ31 |
| 2 "F"                 | LA1 DY20 |

- |               |              |        |
|---------------|--------------|--------|
| 1 "F" + 1 "O" | LAD 8N11 (1) | } p. 4 |
| 2 "F"         | LAD 8N20 (1) |        |

- |            |        |  |
|------------|--------|--|
| 0,1...3 s  | LAD T0 |  |
| 0,1...30 s | LAD T2 |  |
| 1...30 s   | LAD S2 |  |
| 10...180 s | LAD T4 |  |

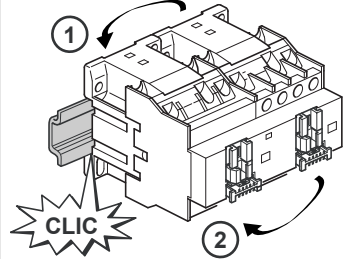
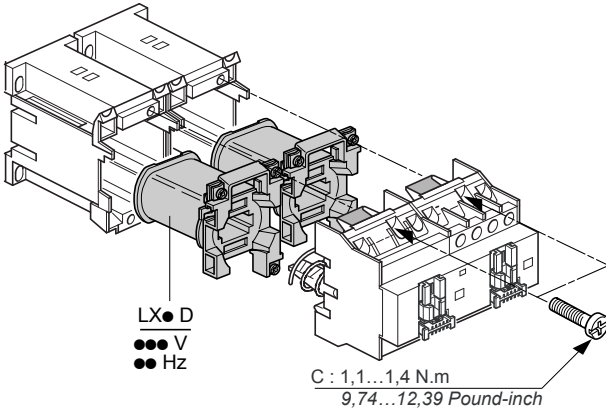
- |            |        |  |
|------------|--------|--|
| 0,1...3 s  | LAD R0 |  |
| 0,1...30 s | LAD R2 |  |
| 10...180 s | LAD R4 |  |



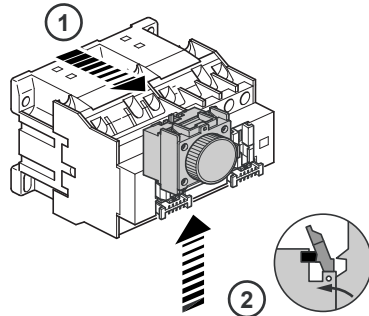
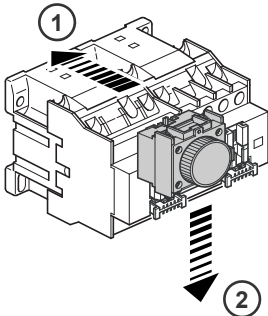
	c	c1	c2	b
<b>CA2 DK</b>	90 3.54	123 4.84	142 5.59	74 2.91
<b>CA3 DK</b>	125 4.92	158 6.22	177 6.97	74 2.91

(1) + 4 (LA9 D901)  
+ 0.15 (LA9 D901)

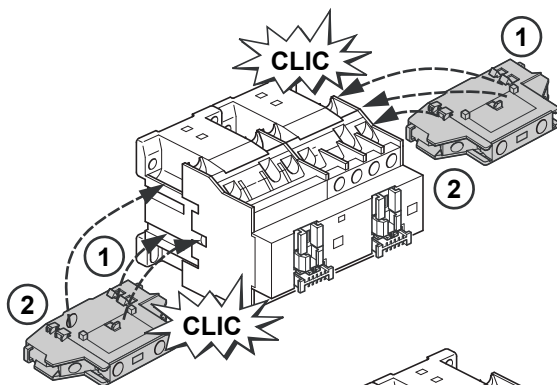
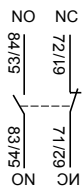
mm  
inch



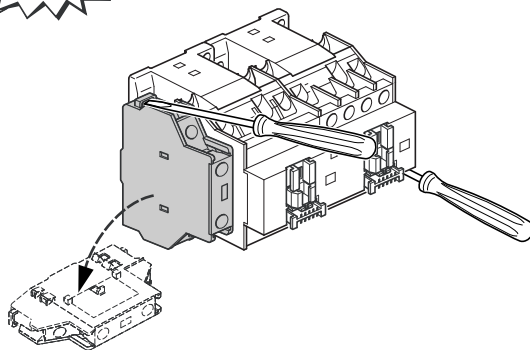
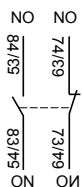
CA2 DK CA3 DK	mm <sup>2</sup> AWG	2 x 2,5 2 x 14	2 x 2,5 2 x 14	2 x 2,5 2 x 14
 CA2 DK Ø 5 mm (0.20 in) CA3 DK Ø 6 mm (0.24 in)	 Ø 8 mm 0,31 in	C : da. Nm 	Nm 1.062 pound-inch	0.12 7,5 mm (0.30 in)
				Ø 3,5 mm (0.14 in)



### LAD 8N11



### LAD 8N20



		Un	LAD ● LAD ● LAD ● LAD 6●	LAD 8N		
<b>CA3 DK22</b>		0,8-1,1	●	●	●	●
		50-60 Hz	●	●	●	●
<b>CA2 DK22</b>		0,8-1,1	●	●	●	●
		0,85-1,1	●	●	●	●
		50 60 Hz	0,8-1,1	●	●	●