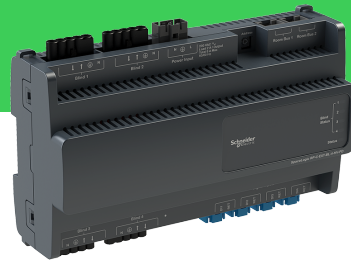


# SpaceLogic RP-C-EXT-BL-4-HV-PD

## RP Controller Expansion Modules

EcoStruxure™ Building



### Blind module with power distribution for high voltage

#### Introduction

SpaceLogic™ RP-C-EXT-BL-4-HV-PD blind module connects to the SpaceLogic RP room controllers and provides I/O expansion for high-voltage blind control.

The high-voltage blind module enables control and power supply (230 VAC) of motorized window blinds and shutters.

The blind module is part of the RP controller expansion modules for connected room solution and can be combined with other modules from this product range.

#### Features

The high-voltage blind module has the following features:

- Power and communications through the room bus
- Four motor control outputs for control of 230 VAC powered blinds (opening, closing, positioning)
- Four digital inputs for connection of blind switches and window contacts. The digital inputs are SELV (Safety Extra-Low Voltage).
- Measurement of energy consumption per module
- Wieland connectors for quick and easy installation

# SpaceLogic RP-C-EXT-BL-4-HV-PD

- Engage mobile application for room comfort settings
- Status LED for the device
- One status LED for each blind output
- Rotary switch for address configuration

## Room bus

The RP controller room bus allows RP controller expansion modules to be connected to the controller for people counting, motion detection, luminosity and sound pressure level measurements, Bluetooth Low Energy based applications, and control of electric lights and window blinds.

The RP-C Pro and RP-C Pro Plus controller room bus supports up to nine connected RP controller expansion modules with the following restrictions:

- Maximum of two DALI light modules
- Maximum of two SMI blind modules
- Maximum of seven Multi-sensor or Insight-Sensor devices

The RP-C Advanced controller room bus supports up to six connected RP controller expansion modules with the following restrictions:

- Maximum of two DALI light modules

- Maximum of two SMI blind modules
- Maximum of four Multi-sensor or Insight-Sensor devices

The RP-V Advanced controller room bus supports up to four connected RP controller expansion modules with the following restrictions:

- Maximum of one DALI light module
- Maximum of one SMI blind module
- Maximum of two Multi-sensor or Insight-Sensor devices

Maximum total length of the room bus is 72 m (236 ft).

## Engage mobile application

The Engage mobile application enables control of room temperature, fan speed, lights, and blinds/shades directly from a smartphone. A user can manage these settings when the application is connected to the RP controller.

The Engage mobile application is free and available for download from Google Play and Apple App Store.

For more information, see the Engage Specification Sheet.

## Part Numbers

Product	Part number
RP-C-EXT-BL-4-HV-PD	SXWREB4HVDP10001
DIN-RAIL-CLIP, DIN-rail end clip package of 25 pieces	SXWDINEND10001
Mounting plate - RP controller expansion modules package of 5 pieces	SXWREMPK510001

## Specifications

SpaceLogic RP-C-EXT-BL-4-HV-PD	
Electrical	
Nominal voltage	230 VAC
Operating voltage range	+/-10 %
Frequency	50/60 Hz
Maximum current consumption	8 A
Room bus power consumption	0.3 W (24 VDC)
Protection	Maximum 16 A external fuse (circuit breaker) is needed
Overvoltage category	III

# SpaceLogic RP-C-EXT-BL-4-HV-PD

## Environment

Ambient temperature, operating 0 to 50 °C (32 to 122 °F)

Ambient temperature, storage -20 to +70 °C (-4 to +158 °F)

Humidity 20 to 90 % RH non-condensing

Pollution degree 2

## Material

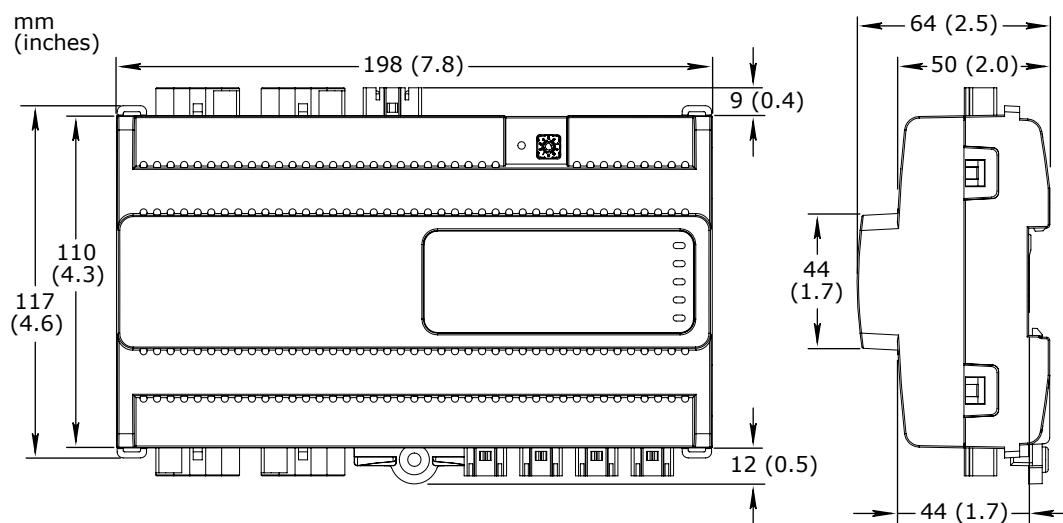
Plastic flame rating UL94 V-0

Ingress protection rating IP 20

## Mechanical

### Dimensions

198 W x 110 H x 64 D mm (7.8 W x 4.3 H x 2.5 D in.)



### Weight

0.437 kg (0.963 lb)

### Recommended installation

DIN rail or flat surface in a cabinet<sup>a</sup>

a) It is recommended to install the device in an enclosure (cabinet), unless local regulations allow an exception.

### Connectors

Power input: 1 x 3-pin Wieland GST15i3 connector  
 Blind outputs: 4 x 4-pin Wieland GST15i4 connector  
 Digital inputs: 4 x 2-pin Wieland GST15i2 connector

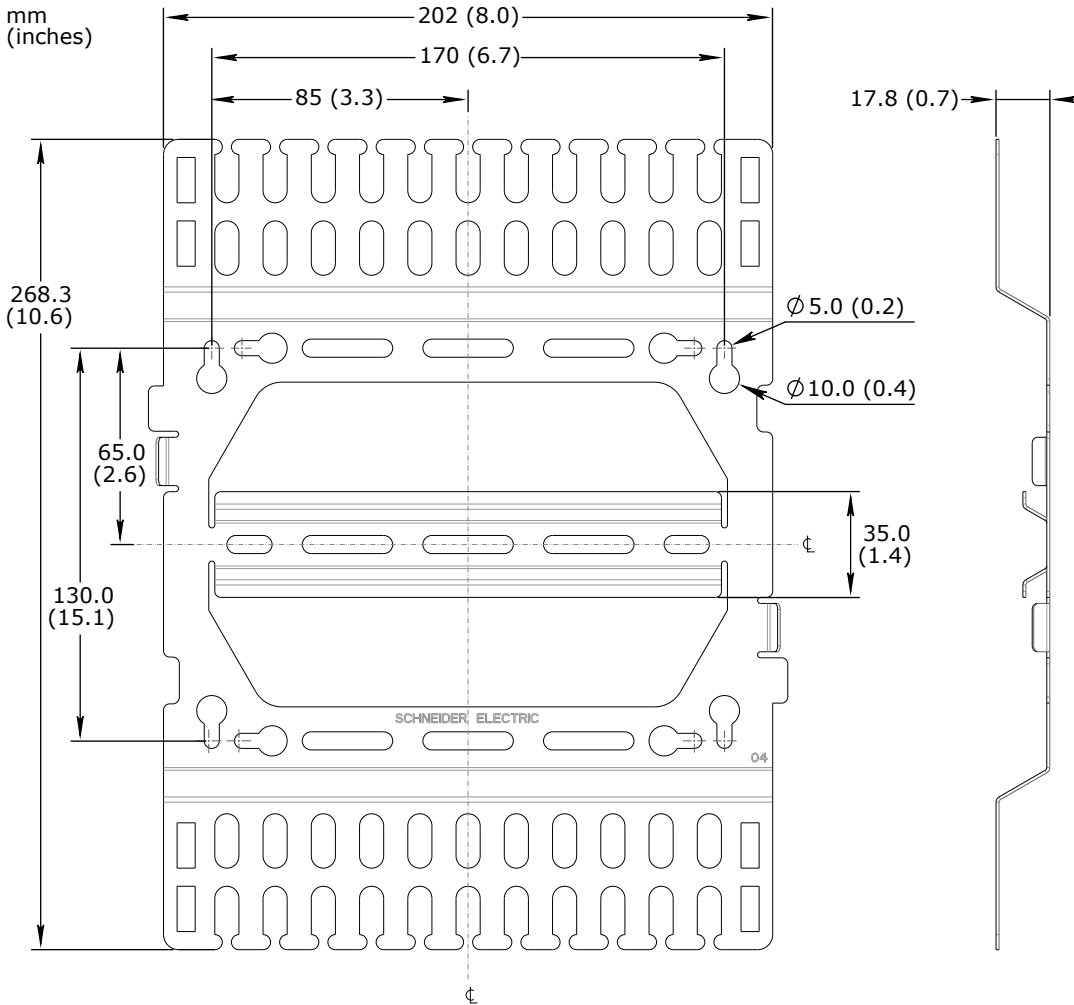
### Optional mounting plate

The mounting plate is used to facilitate mounting and cable management for the RP controller expansion module as well as to provide strain relief for the connectors.

### Dimensions

202 W x 268.3 H x 17.8 D mm (8.0 W x 10.6 H x 0.7 D in.)

# SpaceLogic RP-C-EXT-BL-4-HV-PD



Weight 0.306 kg (0.675 lb)

Compatibility

EcoStruxure BMS server communication  
EcoStruxure Building Operation version 3.1.1 and later

Energy metering support  
EcoStruxure Building Operation version 3.3.1 and later

Agency compliances

Emission RCM; BS/EN 61000-6-3; BS/EN IEC 63044-5-2; FCC Part 15, Sub-part B, Class B

Immunity BS/EN 61000-6-2; BS/EN IEC 63044-5-3

Safety standards BS/EN 60730-1; BS/EN 60730-2-11; BS/EN IEC 63044-3

Communication ports

Room bus RS-485  
Dual RJ45 ports for daisy-chain configurations  
Use a Cat 5 (or higher) cable  
Maximum total length of the room bus: 72 m (236 ft)

Room bus protection Transient voltage suppressors on communication and power signals

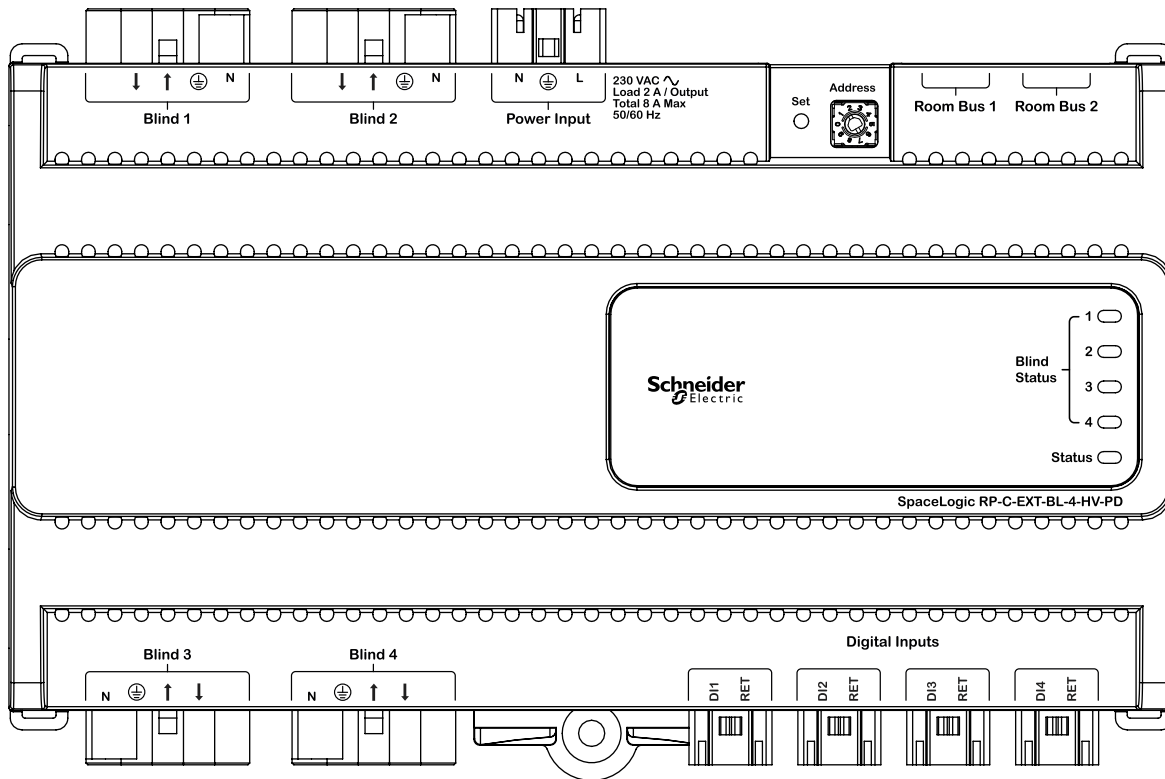
# SpaceLogic RP-C-EXT-BL-4-HV-PD

Hardware	
CPU type	ARM Cortex-M4 single-core
Frequency	80 MHz
SRAM (embedded)	320 KB
Flash memory (embedded)	512 KB
NOR flash memory	16 MB
Status indicator	LED (green and red) that shows the status of the device
Blind status indicator	One status LED (green) for each output
Address switch	Rotary switch 0 to 9
Set button	Push-button switch
Energy metering	
Energy consumption measurement	
The energy consumption is measured in Wh, shared by the four outputs.	
Accuracy class (according to IEC 61557-12)	Active energy measurement: Class 1
Typical measurement accuracy at room temperature	20 to 100 W: 5% 100 to 3000 W: 1%
Blind outputs	
Motor control outputs for 230 VAC powered blind motors with automatic end stop detection. An end stop at the top position is required. An end stop at the bottom position is recommended.	
Outputs	4, Blind 1 to Blind 4
Output terminals	N, PE, ↑ (UP), and ↓ (DOWN)
Power distribution	230 VAC (same voltage as power supply) Maximum 2 A load per output Maximum 8 A total load for the 4 outputs
Digital inputs	
Inputs	4, DI1 to DI4
Range	Dry contact, 0 to 5.0 VDC, 2.2 mA, SELV (Safety Extra-Low Voltage)

## Connections

Follow proper installation wiring diagrams and instructions. For more information on wiring, see the SpaceLogic and EasyLogic - Hardware Installation System Guide.

# SpaceLogic RP-C-EXT-BL-4-HV-PD



RP-C-EXT-BL-4-HV-PD

## Required External Connectors

Use	Part number	Reference	Connector type	Suitable for cable diameters mm (inches)	Marking	Color of coding /housing	Minimum order quantity
Power supply input	SXWRPCCON WWPOW	91.931.4053.1	Female	5.6–11 (0.22–0.43)	L, PE, N	Black /Black	100
Blind outputs	SXWRPCCON WBLHV	91.942.4053.1	Male	8.5–12.5 (0.34–0.49)	N, PE, 1, 2 1: ↑ (UP) 2: ↓ (DOWN)	Black /Black	50
Digital inputs	SXWRPCCON WDI	91.921.2353.0	Female	3.4–5.5 (0.14–0.21)	1, 2 1: DI1..4 2: RET	Light blue /White	100

The external connectors need to be ordered separately. The connectors can be ordered in quantities of 50 or 100 from Schneider Electric using the above part numbers. The connectors can also be ordered directly from Wieland using the

above reference numbers. For more information, see the Wieland Electric web site.

Compatibility with the type and characteristics of the blind motors should be verified at an early stage in your project. In case of uncertainty, additional testing may be required.

# SpaceLogic RP-C-EXT-BL-4-HV-PD

## Regulatory Notices



### Federal Communications Commission

FCC Rules and Regulations CFR 47, Part 15, Class B

This device complies with part 15 of the FCC Rules. Operation is subject to the following two conditions: (1) This device may not cause harmful interference. (2) This device must accept any interference received, including interference that may cause undesired operation.

### Industry Canada

This Class B digital apparatus complies with Canadian ICES-003.

Cet appareil numérique de la classe B est conforme à la norme NMB-003 du Canada.



### Regulatory Compliance Mark (RCM) - Australian Communications and Media Authority (ACMA)

This equipment complies with the requirements of the relevant ACMA standards made under the Radiocommunications Act 1992 and the Telecommunications Act 1997. These standards are referenced in notices made under section 182 of the Radiocommunications Act and 407 of the Telecommunications Act.



### CE - Compliance to European Union (EU)

2014/30/EU Electromagnetic Compatibility Directive

2014/35/EU Low Voltage Directive

2011/65/EU Restriction of Hazardous Substances (RoHS) Directive

2015/863/EU amending Annex II to Directive 2011/65/EU

This equipment complies with the rules, of the Official Journal of the European Union, for governing the Self Declaration of the CE Marking for the European Union as specified in the above directive(s).



### WEEE - Directive of the European Union (EU)

This equipment and its packaging carry the waste of electrical and electronic equipment (WEEE) label, in compliance with European Union (EU) Directive 2012/19/EU, governing the disposal and recycling of electrical and electronic equipment in the European community.



### UK Conformity Assessed

S.I. 2016/1091 - Electromagnetic Compatibility Regulations 2016

S.I. 2016/1101 - Electrical Equipment (Safety) Regulations 2016

S.I. 2012/3032 - Restriction of the Use of Certain Hazardous Substances in Electrical and Electronic Equipment Regulations 2012

S.I. 2013/3113 - Waste Electrical and Electronic Equipment Regulations 2013

This equipment complies with the rules, of the UK regulations, for governing the UKCA Marking for the United Kingdom specified in the above directive(s).

[www.se.com/buildings](http://www.se.com/buildings)

Life Is On

**Schneider**  
Electric