

# SpaceLogic DO-FA-12

## Plant Room Controllers

EcoStruxure™ Building



## 12-channel Form A digital output I/O modules

### Introduction

SpaceLogic™ DO-FA-12 and DO-FA-12-H Central IO modules are digital output 12-channel I/O modules.

The digital outputs support digital Form A point types. The Form A relays are designed for direct load applications.

### Function

#### Modular and scalable system

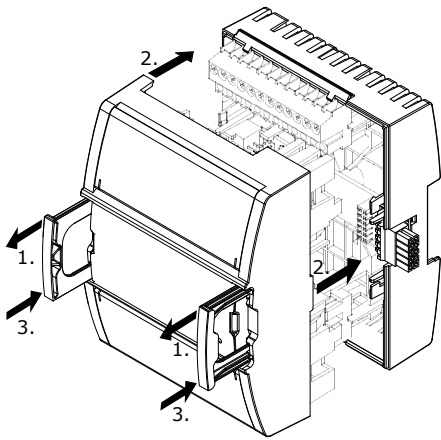
The modules are part of a modular system that delivers power and communications on a common bus. Connecting modules is

a one-step process: just slide the modules together using the built-in connectors.

#### Patented two-piece design

Each module can be separated from its terminal base to allow the site to be wired prior to the installation of the electronics. The patented locking mechanism serves as handles for removing the module from its base. All critical components have a protective cover that permits convection cooling to occur.

# SpaceLogic DO-FA-12



Two-piece design

## Hot-connect and Hot-swap

Because critical applications require 24-hour operation, Schneider Electric designed the Central IO modules for hot-connection of terminal bases and hot-swapping of the modules to their bases. This design ensures continuous power and communication during service operations.

## Auto-addressing

The auto-addressing feature automatically assigns device addresses without the need to set DIP switches or press commission buttons. Each device automatically knows its order in the chain and assigns itself accordingly – significantly reducing engineering and maintenance time.

## Simple DIN-rail installation

Fasteners easily snap into a locked position for panel installation. The fastener has a quick-release feature for easy DIN-rail removal.

## Efficient terminal management

The Central IO module terminals are clearly labeled and protected by transparent covers. The terminals are at the top and bottom of each module and are accessible for maintenance without removing the module. The EcoStruxure Building Operation WorkStation software can generate custom as-built labels for each module. Pre-perforated letter and A4 size label sheets are available as an accessory.

## Accommodates multiple row panel installations

The SpaceLogic devices use built-in connectors for single row connectivity, side by side. If a panel size requires multiple rows, extension cords are available.

## LED status indicators

The Central IO module has a status indicator that denotes the health and status of the module.

Each digital output channel has a dedicated status indicator using a green LED.

## Hand/Off/Auto switches

The front panel of the DO-FA-12-H includes Hand/Off/Auto (HOA) switches to provide override control of the digital outputs.

The position of the HOA switch is readable through user interfaces, such as the EcoStruxure Building Operation WorkStation software, enabling more precise monitoring and control.

## Specifications

### SpaceLogic DO-FA-12

Output channels	12
DC input supply power	1.8 W
DC input supply voltage	24 VDC
Environment	
Ambient temperature, operating	0 to 50 °C (32 to 122 °F)
Ambient temperature, storage	-20 to +70 °C (-4 to +158 °F)
Maximum humidity	95 % RH non-condensing
Material	
Plastic flame rating	UL94-5VB
Enclosure	PC/ABS

# SpaceLogic DO-FA-12

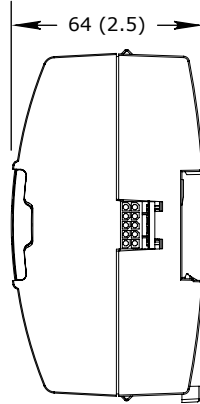
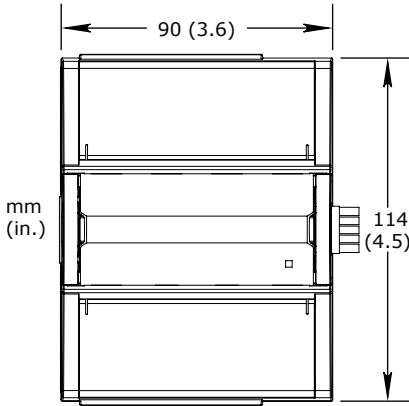
Ingress protection rating

IP 20

## Mechanical

Dimensions including terminal base

90 W x 114 H x 64 D mm (3.6 W x 4.5 H x 2.5 D in.)



Weight including terminal base TB-IO-W1	0.317 kg (0.70 lb)
Weight including terminal base TB-IO-W1-2	0.347 kg (0.77 lb)
Weight excluding terminal base	0.194 kg (0.43 lb)
Terminal base	TB-IO-W1 TB-IO-W1-2

## Agency compliances

Emission	RCM; BS/EN 61000-6-3; FCC Part 15, Sub-part B, Class B
Immunity	BS/EN 61000-6-2
Safety standards	BS/EN 61010-1; UL 916 C-UL US Listed
Product	BS/EN 61326-1
Smoke control product safety	UL 864

## Part numbers

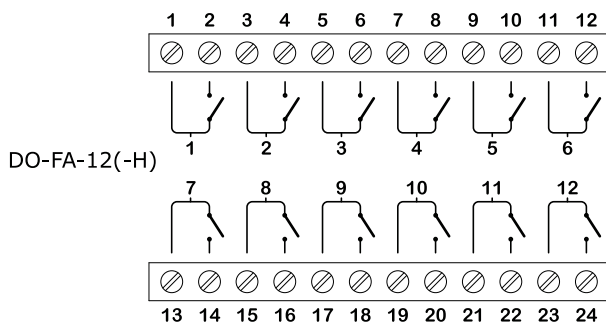
DO-FA-12, Central IO module 12 Form A digital outputs	SXWDOA12X10001
DO-FA-12-H, Central IO module with HOA switches 12 Form A digital outputs with Hand/Off/Auto override switches	SXWDOA12H10001
TB-IO-W1, terminal base for Central IO module <sup>a</sup> (Required for each Central IO module)	SXWTBIOW110001
a) The Central IO modules are compatible with TB-IO-W1 (SXWTBIOW110001) and TB-IO-W1-2 (SXWTBIOW110002). TB-IO-W1 is UL 864 certified. UL 864 certification for TB-IO-W1-2 is currently pending.	
TB-IO-W1-2, terminal base for Central IO module <sup>a</sup> (Required for each Central IO module)	SXWTBIOW110002
a) The Central IO modules are compatible with TB-IO-W1 (SXWTBIOW110001) and TB-IO-W1-2 (SXWTBIOW110002). TB-IO-W1 is UL 864 certified. UL 864 certification for TB-IO-W1-2 is currently pending.	

# SpaceLogic DO-FA-12

## Accessory part numbers

DIN-RAIL-CLIP, DIN-rail end clip package of 25 pieces	SXWDINEND10001
PRINTOUT-A4-W1, printout sheets for terminal labels A4 sheet size, 100 sheets, 18 labels per sheet	SXWTERLBL10011
PRINTOUT-LTR-W1, printout sheets for terminal labels Letter sheet size, 100 sheets, 16 labels per sheet	SXWTERLBL10012
S-CABLE-L, S-cable extension cord for the I/O bus, L shaped connectors 1.5 m	SXWSCABLE10002
S-CABLE-L, S-cable extension cord for the I/O bus, L shaped connectors 0.75 m	SXWSCABLE10003

## Digital outputs



Contact rating

250 VAC/30 VDC, 2 A, Pilot Duty (Power Factor 0.35)

Switch type

Form A Relay  
Single Pole Single Throw  
Normally Open

Isolation contact to system ground

3000 VAC

Cycle life (Resistive load)

At least 100,000 cycles<sup>a</sup>

a) Actual relay life will vary depending on electrical load characteristics, switching conditions, environmental factors, and application usage.

Minimum pulse width

100 ms

LED polarity energized relay

On

LED polarity non-energized relay

Off

LED color

Green

# SpaceLogic DO-FA-12

## Regulatory Notices



### Federal Communications Commission

FCC Rules and Regulations CFR 47, Part 15, Class B

This device complies with part 15 of the FCC Rules. Operation is subject to the following two conditions: (1) This device may not cause harmful interference. (2) This device must accept any interference received, including interference that may cause undesired operation.

### Industry Canada

This Class B digital apparatus complies with Canadian ICES-003.

Cet appareil numérique de la classe B est conforme à la norme NMB-003 du Canada.



### Regulatory Compliance Mark (RCM) - Australian Communications and Media Authority (ACMA)

This equipment complies with the requirements of the relevant ACMA standards made under the Radiocommunications Act 1992 and the Telecommunications Act 1997. These standards are referenced in notices made under section 182 of the Radiocommunications Act and 407 of the Telecommunications Act.



### UK Conformity Assessed

S.I. 2016/1091 - Electromagnetic Compatibility Regulations 2016

S.I. 2016/1101 - Electrical Equipment (Safety) Regulations 2016

S.I. 2012/3032 - Restriction of the Use of Certain Hazardous Substances in Electrical and Electronic Equipment Regulations 2012

S.I. 2013/3113 - Waste Electrical and Electronic Equipment Regulations 2013

This equipment complies with the rules, of the UK regulations, for governing the UKCA Marking for the United Kingdom specified in the above directive(s).



### CE - Compliance to European Union (EU)

2014/30/EU Electromagnetic Compatibility Directive

2014/35/EU Low Voltage Directive

2011/65/EU Restriction of Hazardous Substances (RoHS) Directive

2015/863/EU amending Annex II to Directive 2011/65/EU

This equipment complies with the rules, of the Official Journal of the European Union, for governing the Self Declaration of the CE Marking for the European Union as specified in the above directive(s).



### WEEE - Directive of the European Union (EU)

This equipment and its packaging carry the waste of electrical and electronic equipment (WEEE) label, in compliance with European Union (EU) Directive 2012/19/EU, governing the disposal and recycling of electrical and electronic equipment in the European community.



UL 916 Listed products for the United States and Canada, Open Class Energy Management Equipment. UL file E80146.



UL 864 Listed products for the United States. 10<sup>th</sup> Edition Smoke Control System. UL file S5527.

[www.se.com/buildings](http://www.se.com/buildings)

Life Is On

**Schneider**  
Electric