

SpaceLogic Room Controllers

SE8000 Fascia Installation Instructions



For Fascia Part Numbers:

FAS-00

FAS-06

FAS-11

FAS-01

FAS-07

FAS-12

FAS-05

FAS-10

⚠ Electronic controls are static sensitive devices. Discharge yourself correctly before manipulating and installing Room Controller.

⚠ WARNING: This product can expose you to chemicals including Diisononyl Phthalate (DINP), which is known to the State of California to cause cancer, and Bisphenol A (BPA), which is known to the State of California to cause birth defects or other reproductive harm. For more information, go to www.P65Warnings.ca.gov.

Schneider
Electric

1. Remove the security screw from the bottom of the Room Controller cover.
2. Open the unit by pulling on the bottom of Room Controller (Figure 1).
3. If a communication module is present, it must be removed before proceeding.
4. Gently push out the old Fascia through the small opening on the inside of the front cover (Figure 2).
5. Make sure the Room Controller surface is clean and free of dust or debris.
6. Align the replacement Fascia with the front cover so the Fascia vent aligns with the gap at the bottom of the front cover (Figure 3).
7. Carefully press the new Fascia into the front cover until it snaps into place.
NOTE: Do not use excessive force to avoid causing damage to the Fascia.
8. Press around the edges of the Fascia to ensure it is snugly secured into the front cover.
9. If a communication module was removed in step 3, inspect the pins to make sure they are not bent and reinstall it carefully.
10. Gently align the cover with the top of the base and snap it into place at the bottom (Figure 4).
11. Install the security screw.

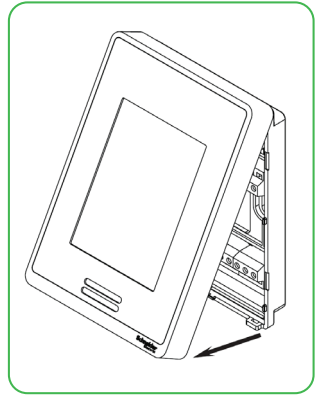


Figure-1

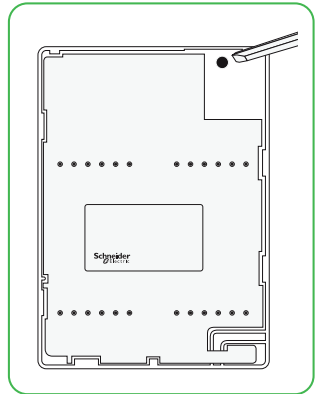


Figure-2

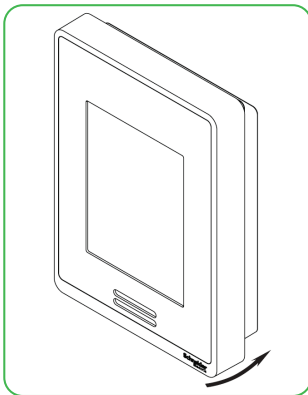


Figure-4

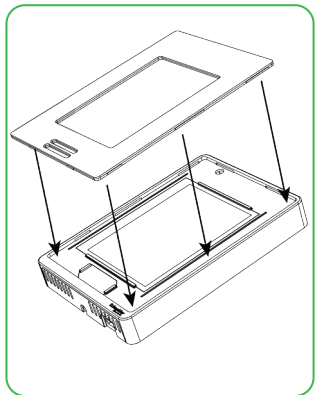


Figure-3