

SpaceLogic™ RS-485 Power Adapter

Adapter

Safety Information

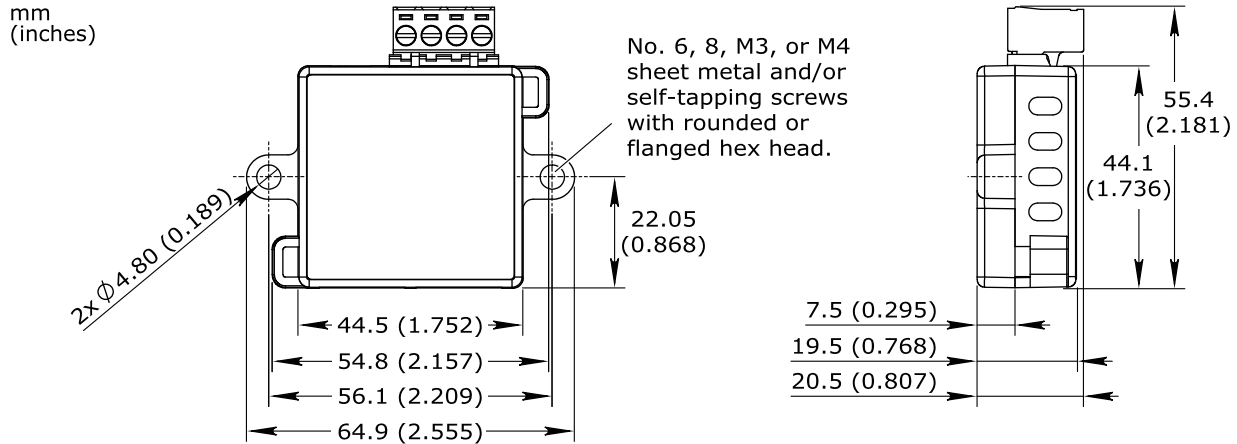
Electrical equipment should be installed, operated, serviced, and maintained only by qualified personnel. No responsibility is assumed by Schneider Electric for any consequences arising out of the use of this material. Carefully read these instructions and all information relevant for this product before trying to install it. See the list of technical literature.

Technical Literature

- SpaceLogic and EasyLogic - Hardware Reference Guide, 04-XX001-XX-en

The technical literature and declarations of conformity can be accessed on the Schneider Electric extranet, ecoxpert.se.com. Contact your local Schneider Electric sales office for a hard copy of the documentation or for additional information.

Installing the Adapter



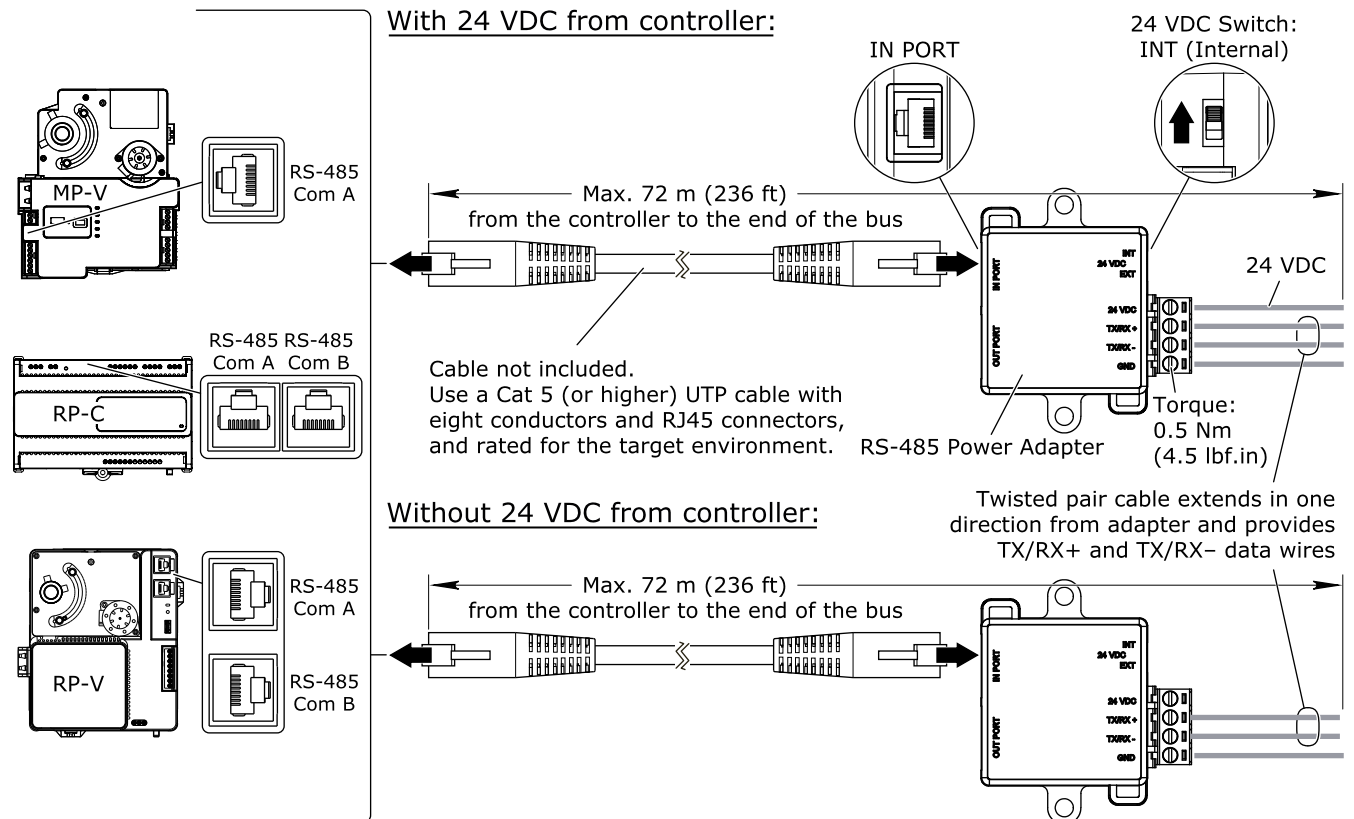
Connecting the Adapter to a Controller for RS-485 Bus Communication

NOTICE

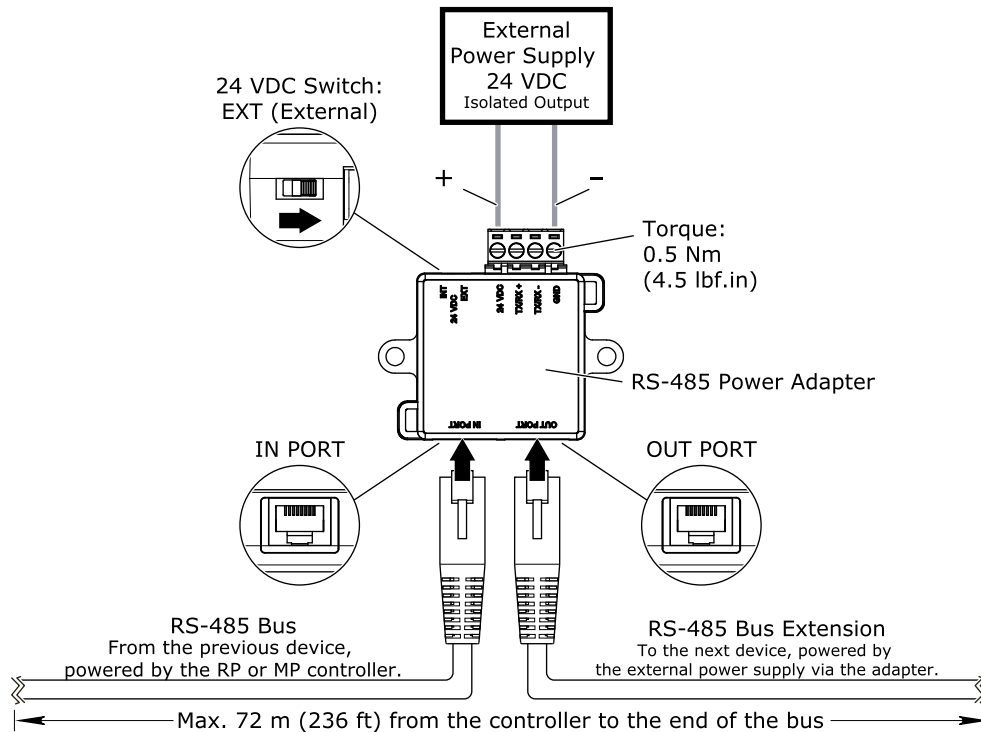
EQUIPMENT DAMAGE OR LOSS OF COMMUNICATION

Do not use the adapter to connect an MP or RP controller to a BACnet MS/TP (RS-485) bus for communication with an automation server.

Failure to follow these instructions can result in equipment damage or loss of communication.



Connecting the Adapter to an External 24 VDC Supply for RS-485 Bus Extension for a Controller



Wiring

Recommended screw tightening torque: 0.5 Nm (4.5 lbf.in)
For information on wiring, see the SpaceLogic and EasyLogic - Hardware Reference Guide.

Part Numbers

Product	Part number
RS-485 power adapter (cable not included)	SXWNISORS485P10001

Specifications

Required external power supply ratings Output Regulated 24 VDC $\overline{\text{---}}$ Isolated (non-grounded) terminals Safety class IEC protection class II Output power Minimum 3 W (125 mA) Maximum 100 W or 100 VA Maximum out port bus load 3 W	Hardware Connectors RS-485, 4-pole screw terminal block RS-485, dual RJ45 ports Switch 2-pole slide switch Operation environment Ambient temperature, operating 0 to 50 °C (32 to 122 °F) Indoor use only	Humidity Maximum 95 % RH non-condensing Mechanical Weight 24 g (0.84 oz) Ingress protection rating IP 20 Plastic flame rating UL94 V-0 Plenum rating UL 2043 (Approved for plenum installations)
--	---	--

Addendum - California Proposition 65 Warning Statement for California Residents

⚠ WARNING: This product can expose you to chemicals including lead which is known to the State of California to cause cancer and which is known to the State of California to cause birth defects or other reproductive harm. For more information go to www.P65Warnings.ca.gov

部件名称 (Part Name)	有害物质 (Hazardous Substances)					
	铅 (Pb)	汞 (Hg)	镉 (Cd)	六价铬 (Cr (VI))	多溴联苯 (PBB)	多溴二苯醚 (PBDE)
塑料部件 (Plastic Parts)	○	○	○	○	○	○
电子件 (Electronics)	X	○	○	○	○	○

本表格依据 SJ/T11364 的规定编制。(This table is made according to SJ/T 11364.)

○: 表示该有害物质在该部件所有均质材料中的含量均在 GB/T 26572 规定的限量要求以下。

(Indicates that the concentration of hazardous substance in all of the homogeneous materials for this part is below the limit as stipulated in GB/T 26572.)

X: 表示该有害物质至少在该部件的某一均质材料中的含量超出 GB/T 26572 规定的限量要求。

(Indicates that the concentration of hazardous substance in at least one of the homogeneous materials used for this part is above the limit as stipulated in GB/T 26572.)



Regulatory Notices

This device complies with part 15 of the FCC Rules. Operation is subject to the following two conditions: (1) This device may not cause harmful interference, and (2) this device must accept any interference received, including interference that may cause undesired operation.

This Class B digital apparatus complies with Canadian ICES-003. Cet appareil numérique de la classe B est conforme à la norme NMB-003 du Canada.