

SpaceLogic™ AD v3

Touch Screen

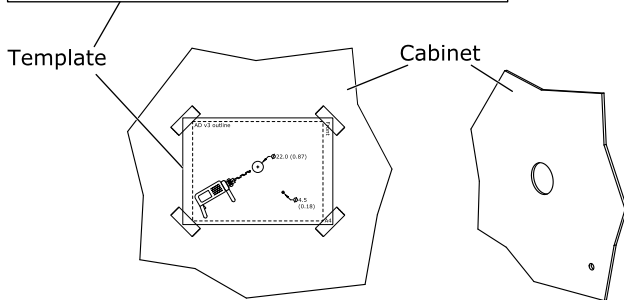
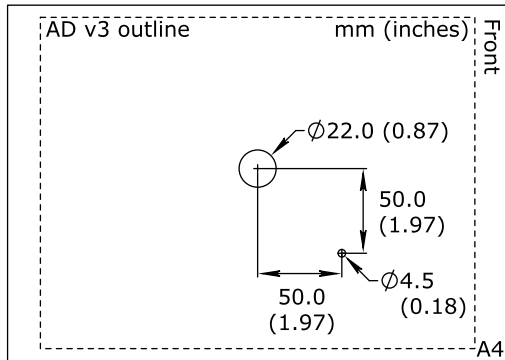
Regulatory Compliance and Safety Information

Electrical equipment should be installed, operated, serviced, and maintained only by qualified personnel. No responsibility is assumed by Schneider Electric for any consequences arising out of the use of this material. Carefully read these instructions and all information relevant for this product before trying to install it. See the list of technical literature. The technical literature and declarations of conformity can be accessed on the Schneider Electric Exchange website, ecobuilding.schneider-electric.com. Contact your local Schneider Electric sales office for a hard copy of the documentation or for additional information.

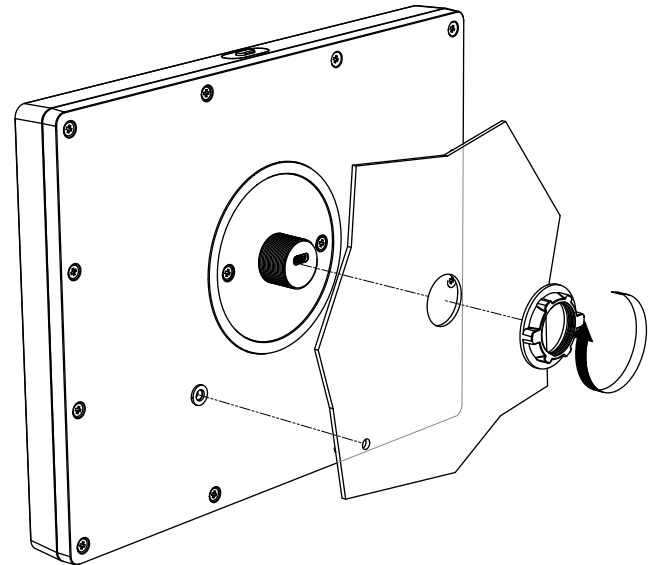
Technical Literature

- SpaceLogic Hardware Reference Guide, 04-XX001-XX-en

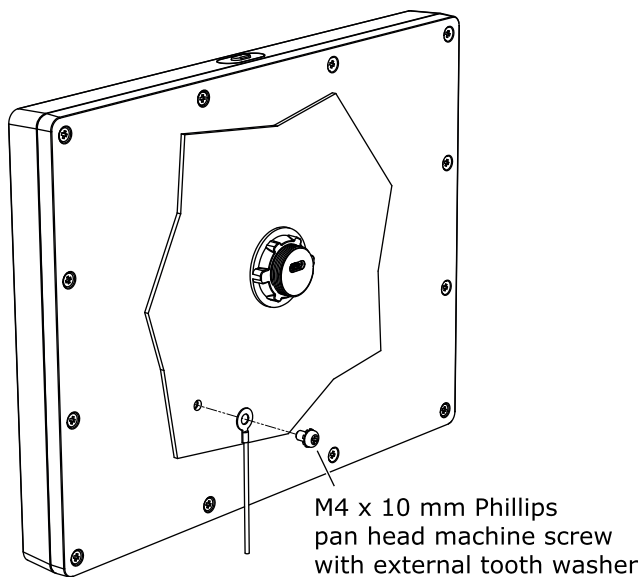
Making the Holes in a Cabinet



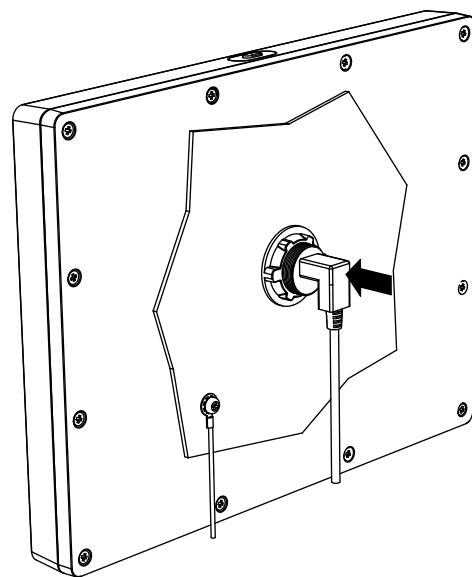
Installing AD v3 on a Cabinet



Connecting the Earth Ground Wire



Connecting the AD v3 Cable



Connecting AD v3 to an Automation Server and a 24 VDC Power Supply

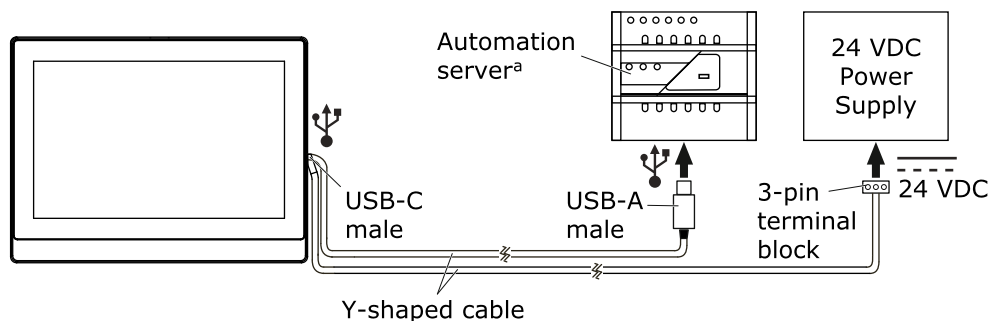
NOTICE

EQUIPMENT DAMAGE

- Never connect AD v3 to an AC power supply.
- Do not use the Y-shaped cable to power any USB devices other than AD v3.

Failure to follow these instructions can result in equipment damage.

Connection to 24 VDC power supply using Y-shaped cable



a) AS-P or AS-B

Configuring Kiosk Mode

- Press the AD v3 power button.
- From the Home screen, tap the **HMI Kiosk** icon.
- Enter a password to be used for HMI Kiosk and tap **Submit**.
 - The password must be at least 12 characters long and include an uppercase character, a lowercase character, a digit, and a symbol. To use a shorter password, tap **Use a 6-character password**.
 - Each device should be configured with a strong and unique password. Do not reuse the password for multiple devices.
 - Remember the password as there is no recovery key.
- Change the WebStation address, if required.

- Configure the screen timeout, if required.
- Select the **WebStation** shortcut to run in Kiosk mode.
- Tap **Lock & Launch**.




Part Numbers

Device	Part number
AD v3 bundle	SXWADBUND10003
AD v3 cable, Y-shaped, 1.35 m (4.43 ft)	SXWADUSBC10002
AD v3 cable, Y-shaped, 2.85 m (9.35 ft)	SXWADUSBC10003

Specifications

Power input

Nominal voltage

24 VDC 
 20 VDC (USB-C) 
 15 VDC (USB-C) 

For information on the use of 15 VDC or 20 VDC USB-C power supply to power AD v3, contact Schneider Electric.

Typical example of 24 VDC power supply
 ABLM1A24012 (Schneider Electric)

Recommended USB power supply ratings

20 VDC, 1 A (20 W)
 15 VDC, 1.5 A (22.5 W)

Power consumption

17.3 W (0.72 A at 24 VDC)
 17.6 W (0.88 A at 20 VDC)
 19.0 W (1.27 A at 15 VDC)

Operation environment

Ambient temperature, operating
 0 to 40 °C (32 to 104 °F)

Humidity

Maximum 95 % RH non-condensing

Mechanical

Ingress protection rating

IP 54

Plastic flame rating

UL94 V-0

Dimensions (W x H x D)

258 x 195.6 x 25 mm (10.2 x 7.7 x 1.0 in.)

Weight (excluding nut)

0.933 kg (2.056 lb)

Addendum - California Proposition 65 Warning Statement for California Residents

For the AD v3 bundle, the following warning statement applies:

⚠ WARNING: This product can expose you to chemicals including lead and Diisononyl phthalate (DINP), which are known to the State of California to cause cancer, and lead, which is known to the State of California to cause birth defects or other reproductive harm. For more information go to www.P65Warnings.ca.gov

For the AD v3 cables, the following warning statement applies:

⚠ WARNING: This product can expose you to chemicals including Diisononyl phthalate (DINP), which is known to the State of California to cause cancer. For more information go to www.P65Warnings.ca.gov