

# SpaceLogic™ AD v3

## Touch Screen

Part number: SXWADBUND10013

### Safety Information

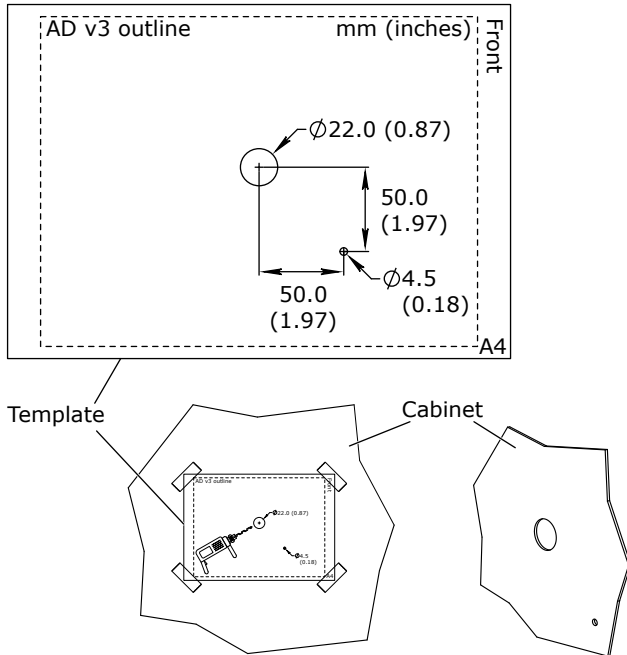
Electrical equipment should be installed, operated, serviced, and maintained only by qualified personnel. No responsibility is assumed by Schneider Electric for any consequences arising out of the use of this material. Carefully read these instructions and all information relevant for this product before trying to install it. See the list of technical literature.

### Technical Literature

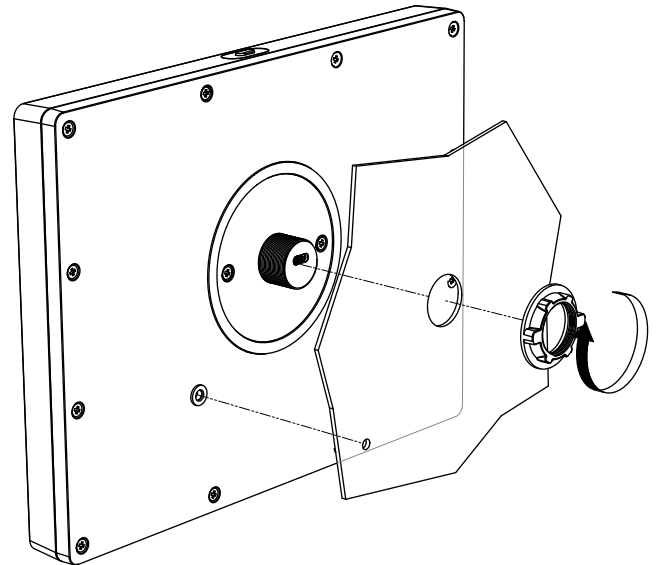
- SpaceLogic and EasyLogic - Hardware Reference Guide, 04-XX001-XX-en

The technical literature and declarations of conformity can be accessed on the Schneider Electric extranet, [ecoxpert.se.com](http://ecoxpert.se.com). Contact your local Schneider Electric sales office for a hard copy of the documentation or for additional information.

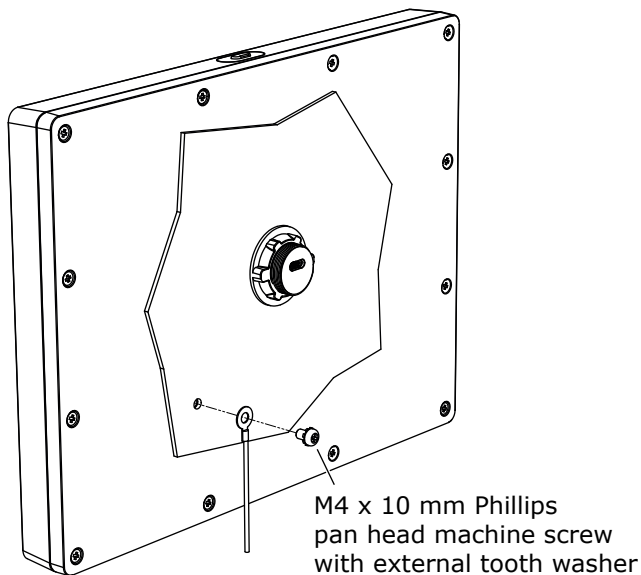
### Making the Holes in a Cabinet



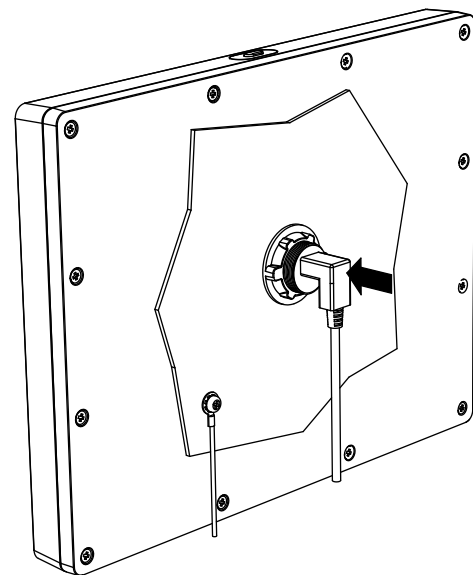
### Installing AD v3 on a Cabinet



### Connecting the Earth Ground Wire



### Connecting the AD v3 Cable



## Connecting AD v3 to an Automation Server and a 24 VAC or 24 VDC Power Supply

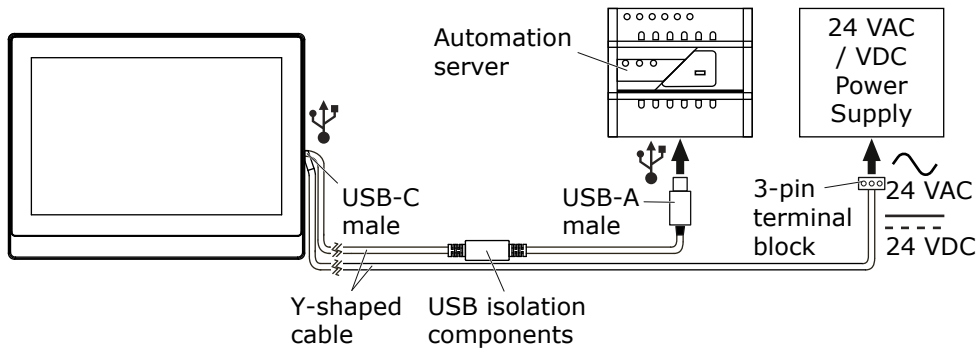
### NOTICE

#### EQUIPMENT DAMAGE

- Always use the Y-shaped cable with USB isolation (SXWADUSBC10012 or SXWADUSBC10013) when connecting AD v3 to 24 VAC.
- Do not use the Y-shaped cable to power any USB devices other than AD v3.

**Failure to follow these instructions can result in equipment damage.**

Connection to a 24 VAC or 24 VDC power supply using the Y-shaped cable with USB isolation



**NOTE:** The Y-shaped cable with part number SXWADUSBC10002 or SXWADUSBC10003 can only be used to connect AD v3 to 24 VDC.

### Configuring Kiosk Mode

- Press the AD v3 power button.
- From the Home screen, tap the **HMI Kiosk** icon.
- Enter a password to be used for HMI Kiosk and tap **Submit**.
  - The password must be at least 12 characters long and include an uppercase character, a lowercase character, a digit, and a symbol. To use a shorter password, tap **Use a 6-character password**.
  - Each device should be configured with a strong and unique password. Do not reuse the password for multiple devices.
  - Remember the password as there is no recovery key.
- Change the WebStation address, if required.
- Configure the screen timeout, if required.
- Select the **WebStation** shortcut to run in Kiosk mode.
- Tap **Lock & Launch**.

### Part Numbers

Device	Part number
AD v3 bundle	SXWADBUND10013
AD v3 cable with USB isolation, Y-shaped, 1.35 m (4.43 ft)	SXWADUSBC10012
AD v3 cable with USB isolation, Y-shaped, 2.85 m (9.35 ft)	SXWADUSBC10013
AD v3 cable, Y-shaped, 1.35 m (4.43 ft)	SXWADUSBC10002
AD v3 cable, Y-shaped, 2.85 m (9.35 ft)	SXWADUSBC10003

### Specifications

#### Power input

##### Nominal voltage

24 VAC  $\sim$  50/60 Hz

24 VDC  $\text{---}$

20 VDC (USB-C)  $\text{---}$

15 VDC (USB-C)  $\text{---}$

For information on the use of 15 VDC or 20 VDC USB-C power supply to power AD v3, contact Schneider Electric.

**Typical example of 24 VDC power supply**  
ABLM1A24012 (Schneider Electric)

#### Recommended USB power supply ratings

20 VDC, 1 A (20 W)

15 VDC, 1.5 A (22.5 W)

#### Power consumption

19.9 VA (0.83 A at 24 VAC)

17.5 W (0.73 A at 24 VDC)

17.8 W (0.89 A at 20 VDC)

19.4 W (1.29 A at 15 VDC)

#### Operation environment

##### Ambient temperature, operating

0 to 40 °C (32 to 104 °F)

#### Humidity

Maximum 95 % RH non-condensing

#### Mechanical

##### Ingress protection rating

IP 54

##### Plastic flame rating

UL94 V-0

##### Dimensions (W x H x D)

258 x 195.6 x 25 mm (10.2 x 7.7 x 1.0 in.)

##### Weight (excluding nut)

0.933 kg (2.056 lb)

### Addendum - California Proposition 65 Warning Statement for California Residents

For the AD v3 bundle, the following warning statement applies:

**⚠ WARNING:** This product can expose you to chemicals including lead and Diisononyl phthalate (DINP), which are known to the State of California to cause cancer, and lead, which is known to the State of California to cause birth defects or other reproductive harm. For more information go to [www.P65Warnings.ca.gov](http://www.P65Warnings.ca.gov)

For the AD v3 cables, the following warning statement applies:

**⚠ WARNING:** This product can expose you to chemicals including Diisononyl phthalate (DINP), which is known to the State of California to cause cancer. For more information go to [www.P65Warnings.ca.gov](http://www.P65Warnings.ca.gov)