

SpaceLogic™ TPA-E

Adapters

Part number: SXWTPAE10001

Safety Information

Electrical equipment should be installed, operated, serviced, and maintained only by qualified personnel. No responsibility is assumed by Schneider Electric for any consequences arising out of the use of this material. Carefully read these instructions and all information relevant for this product before trying to install it. See the list of technical literature.

Technical Literature

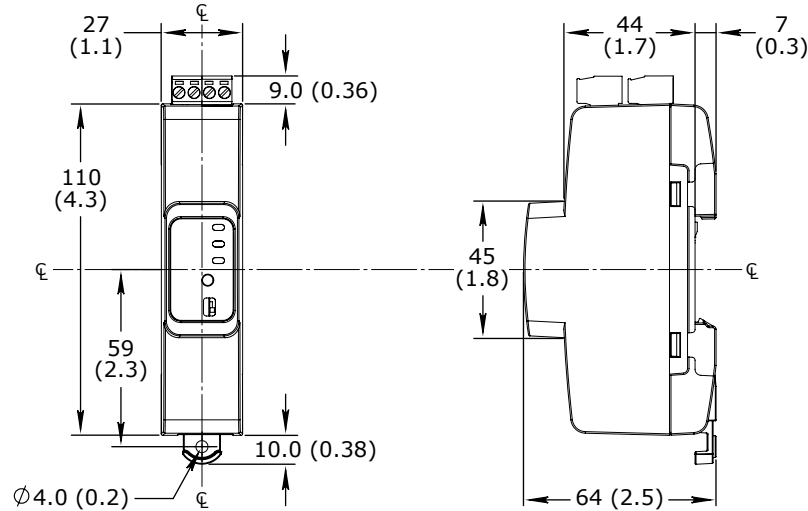
- SpaceLogic and EasyLogic - Hardware Installation System Guide, 04-XX001-XX-en

The technical literature and declarations of conformity can be accessed on the Schneider Electric extranet, ecoxpert.se.com. Contact your local Schneider Electric sales office for a hard copy of the documentation or for additional information.

Dimensions



mm
(inches)



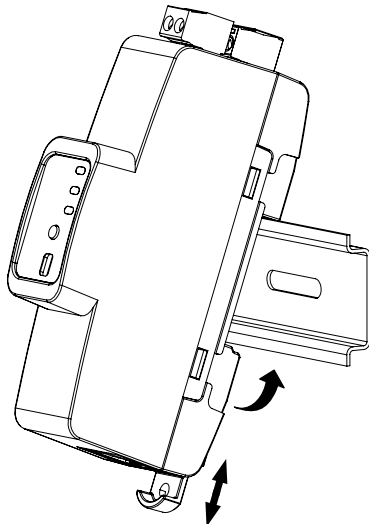
Installing the Device on a DIN Rail

NOTICE

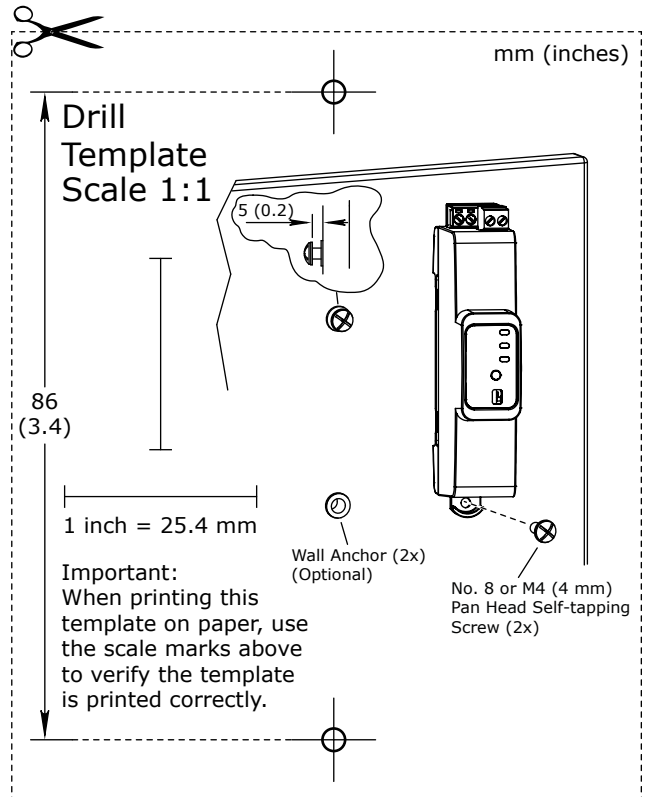
EQUIPMENT DAMAGE

Use the DIN rail end clip when you install the device on a vertical DIN rail.

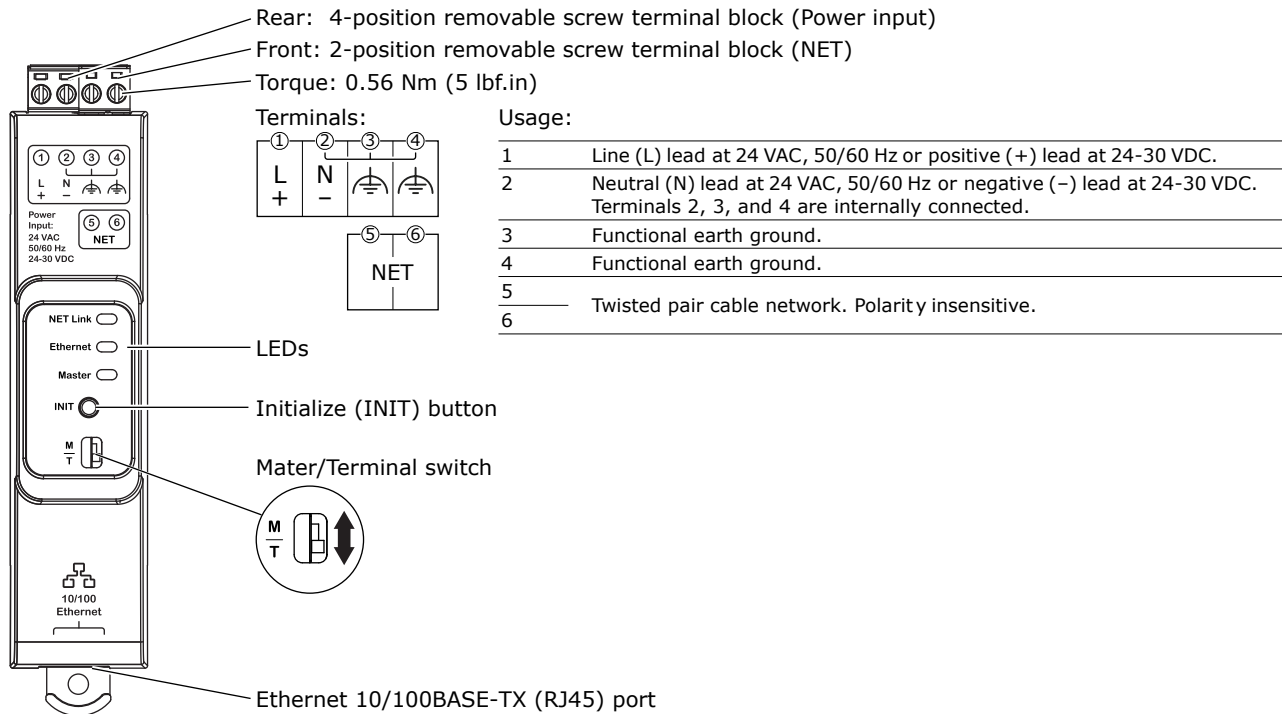
Failure to follow these instructions can result in equipment damage.



Installing the Device on a Flat Surface



Screw Terminals, Port, Switch, Button, and LEDs



Wiring

Recommended screw tightening torque: 0.56 Nm (5 lbf.in)
 For information on wiring, see the SpaceLogic and EasyLogic - Hardware Installation System Guide.

Part Numbers

Product	Part number
SpaceLogic TPA-E	SXWTPAE10001
DIN-rail end clip, 25 pieces	SXWDINEND10001

Specifications

AC input Nominal voltage 24 VAC \sim 50/60 Hz Power consumption 3 VA	NET 2-position removable screw terminal block, polarity insensitive Ethernet 10/100BASE-TX (RJ45), IEEE 802.3 compliant	Plastic flame rating UL94 V-0 Plenum rating UL 2043 (Approved for plenum installations)
DC input Nominal voltage 24 to 30 VDC --- Power consumption 1.5 W	Operation environment Ambient temperature, operating -25 to +60 °C (-13 to +140 °F) All installation orientations are allowed	LEDs, button, and switch Status indicator LEDs NET link Ethernet link/activity Master mode
Connections Power input 4-position removable screw terminal block	Humidity Maximum 95 % RH non-condensing Mechanical Ingress protection rating IP 20	Button Initialize (INIT) Switch Master/Terminal mode

Addendum - California Proposition 65 Warning Statement for California Residents

⚠ WARNING: This product can expose you to chemicals including lead which is known to the State of California to cause cancer and which is known to the State of California to cause birth defects or other reproductive harm. For more information go to www.P65Warnings.ca.gov

部件名称 (Part Name)	有害物质 (Hazardous Substances)					
	铅 (Pb)	汞 (Hg)	镉 (Cd)	六价铬 (Cr (VI))	多溴联苯 (PBB)	多溴二苯醚 (PBDE)
塑料部件 (Plastic Parts)	○	○	○	○	○	○
电子件 (Electronics)	X	○	○	○	○	○

本表格依据 SJ/T11364 的规定编制。(This table is made according to SJ/T 11364.)

○: 表示该有害物质在该部件所有均质材料中的含量均在 GB/T 26572 规定的限量要求以下。
 (Indicates that the concentration of hazardous substance in all of the homogeneous materials for this part is below the limit as stipulated in GB/T 26572.)

X: 表示该有害物质至少在该部件的某一均质材料中的含量超出 GB/T 26572 规定的限量要求。

(Indicates that the concentration of hazardous substance in at least one of the homogeneous materials used for this part is above the limit as stipulated in GB/T 26572.)

