

SpaceLogic™ Central IO

I/O Module Models

Part numbers: SXWUI8D4X10002, SXWUI8D4H10002, SXWUI8A4X10002, SXWUI8A4H10002, SXWUI8V4X10002, SXWUI8V4H10002

Safety Information

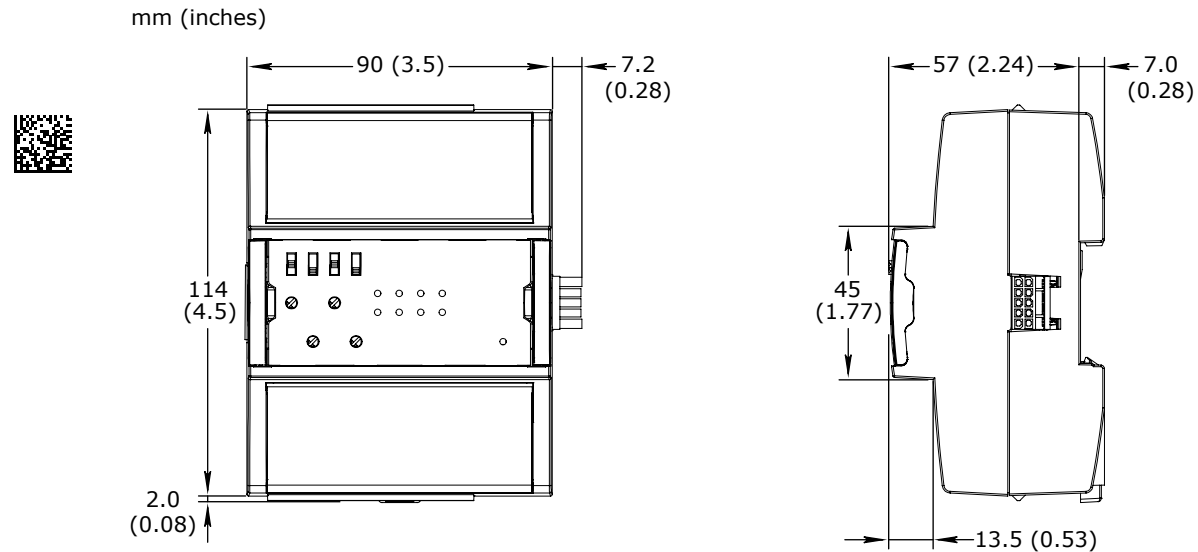
Electrical equipment should be installed, operated, serviced, and maintained only by qualified personnel. No responsibility is assumed by Schneider Electric for any consequences arising out of the use of this material. Carefully read these instructions and all information relevant for this product before trying to install it. See the list of technical literature.

Technical Literature

- SpaceLogic and EasyLogic - Hardware Reference Guide, 04-XX001-XX-en

The technical literature and declarations of conformity can be accessed on the Schneider Electric extranet, ecoxpert.se.com. Contact your local Schneider Electric sales office for a hard copy of the documentation or for additional information.

Dimensions



Installing the Module

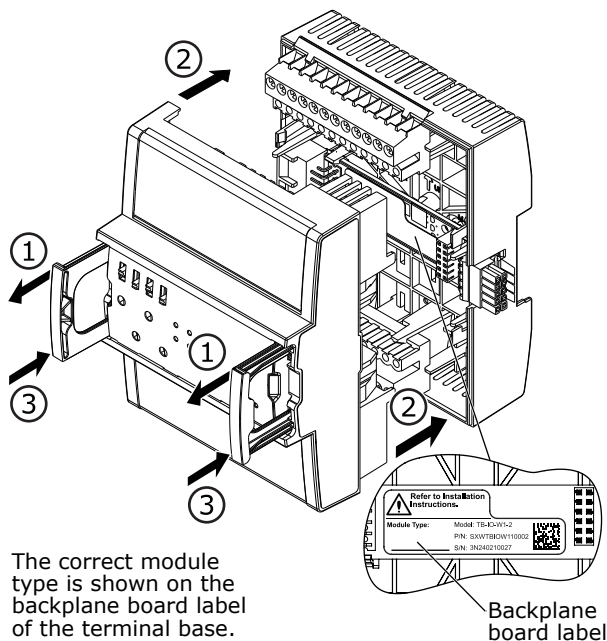
⚠ ⚠ WARNING

HAZARD OF ELECTRIC SHOCK OR EQUIPMENT DAMAGE

Install only the module type that is indicated on the label on the terminal base backplane.

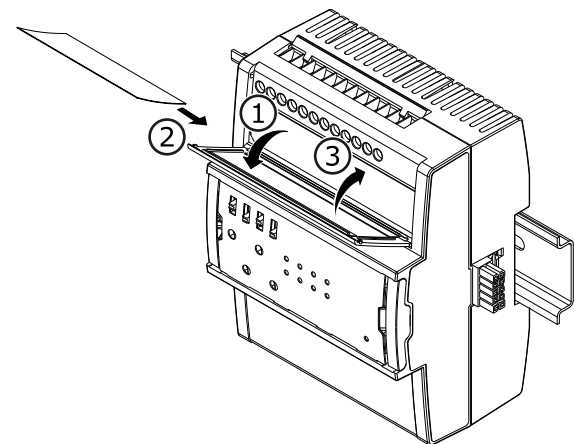
Failure to follow these instructions can result in death, serious injury, or equipment damage.

Labeling the Module



The correct module type is shown on the backplane board label of the terminal base.

Backplane board label



Terminal Base for All Central IOs

Device	Part number
SpaceLogic TB-IO-W1-2 Terminal Base	SXWTBLOW110002

Specifications

Operation environment Ambient temperature, operating 0 to 60 °C (32 to 140 °F) Humidity Maximum 95 % RH non-condensing	Maximum addresses per I/O bus 32 UI-8/DO-FC-4(-H)-2 Module DC input power 24 VDC $\overline{\text{---}}$, 1.9 W Relay contact rating 250 VAC \sim / 30 VDC $\overline{\text{---}}$, 3 A Pilot Duty (Power Factor 0.35) Input rating 24 V, 2.4 mA Channels 4 output/8 input	Voltage output rating 0 to 10 VDC $\overline{\text{---}}$, 5 kohm (min.) Current output rating 0 to 20 mA, 650 ohm (max.) Input rating 24 V, 2.4 mA Channels 4 output/8 input
Mechanical Ingress protection rating IP 20 Plastic flame rating UL94 V-0	Input rating 24 V, 2.4 mA Channels 4 output/8 input UI-8/AO-4(-H)-2 Module DC input power 24 VDC $\overline{\text{---}}$, 3.2 W	Channels 4 output/8 input UI-8/AO-V-4(-H)-2 Module DC input power 24 VDC $\overline{\text{---}}$, 1.0 W Voltage output rating 0 to 10 VDC $\overline{\text{---}}$, 5 kohm (min.) Input rating 24 V, 2.4 mA Channels 4 output/8 input
Electrical I/O bus power 24 VDC $\overline{\text{---}}$, Class 2 Max. 20 W per I/O bus powered by AS-P-3 Max. 30 W per I/O bus powered by PS-24V		

Addendum - California Proposition 65 Warning Statement for California Residents

⚠ WARNING: This product can expose you to chemicals including lead which is known to the State of California to cause cancer and which is known to the State of California to cause birth defects or other reproductive harm. For more information go to www.P65Warnings.ca.gov

部件名称 (Part Name)	有害物质 (Hazardous Substances)					
	铅 (Pb)	汞 (Hg)	镉 (Cd)	六价铬 (Cr (VI))	多溴联苯 (PBB)	多溴二苯醚 (PBDE)
塑料部件 (Plastic Parts)	○	○	○	○	○	○
电子件 (Electronics)	X	○	○	○	○	○

本表格依据 SJ/T11364 的规定编制。(This table is made according to SJ/T 11364.)

○: 表示该有害物质在该部件所有均质材料中的含量均在 GB/T 26572 规定的限量要求以下。
(Indicates that the concentration of hazardous substance in all of the homogeneous materials for this part is below the limit as stipulated in GB/T 26572.)

X: 表示该有害物质至少在该部件的某一均质材料中的含量超出 GB/T 26572 规定的限量要求。
(Indicates that the concentration of hazardous substance in at least one of the homogeneous materials used for this part is above the limit as stipulated in GB/T 26572.)

