

EasyLogic™ RP-V-5C-M

Controller

Part number: SXWRPV5CM10001

Safety Information

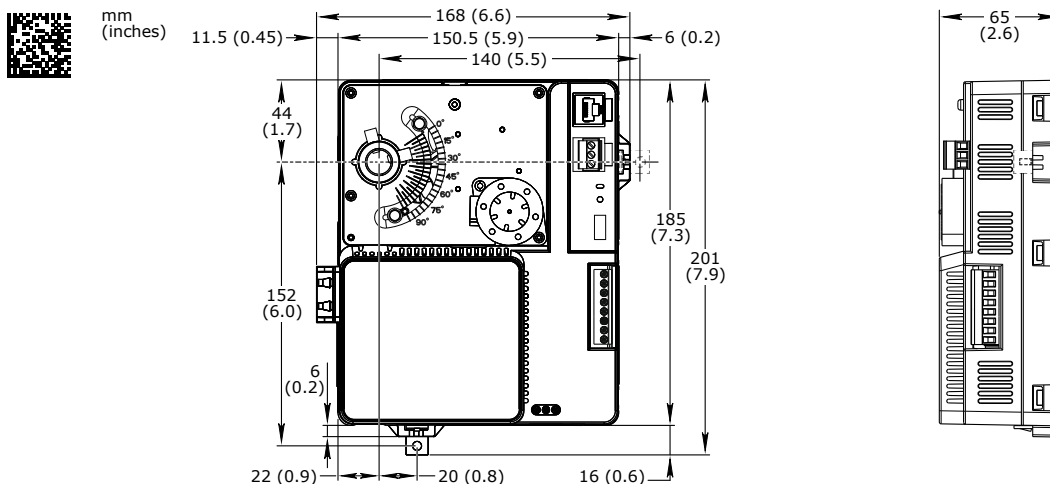
Electrical equipment should be installed, operated, serviced, and maintained only by qualified personnel. No responsibility is assumed by Schneider Electric for any consequences arising out of the use of this material. Carefully read these instructions and all information relevant for this product before trying to install it. See the list of technical literature.

Technical Literature

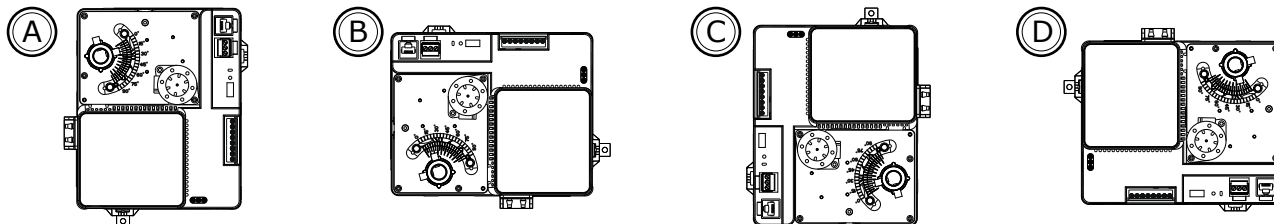
- SpaceLogic and EasyLogic - Hardware Installation System Guide, 04-XX001-XX-en

The technical literature and declarations of conformity can be accessed on the Schneider Electric extranet, ecoxpert.se.com. Contact your local Schneider Electric sales office for a hard copy of the documentation or for additional information.

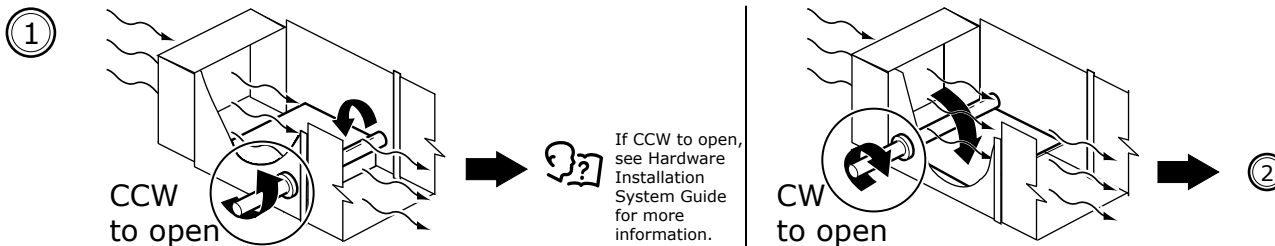
Dimensions



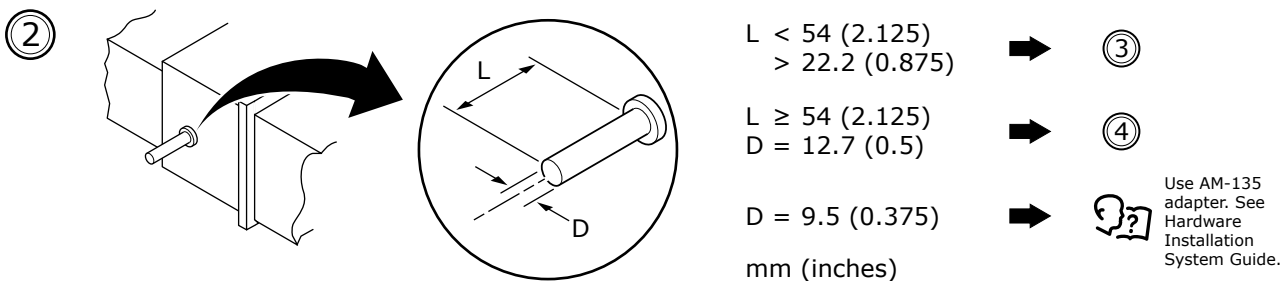
Installation Orientations



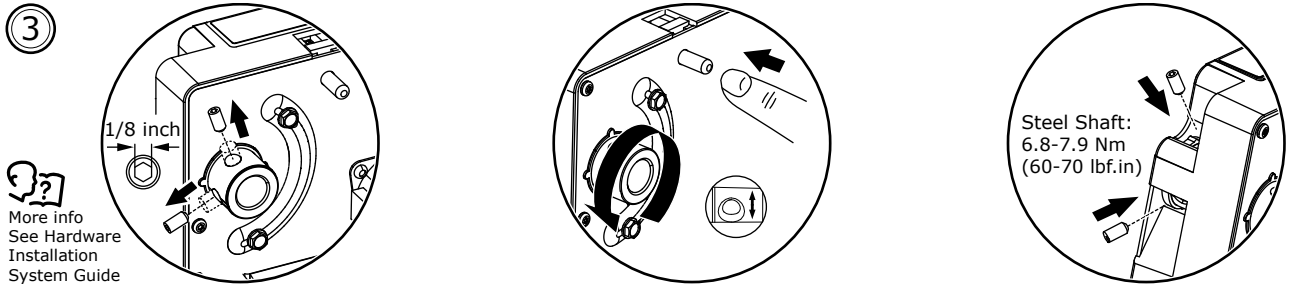
Determining the Shaft Rotation Direction that Opens the Damper



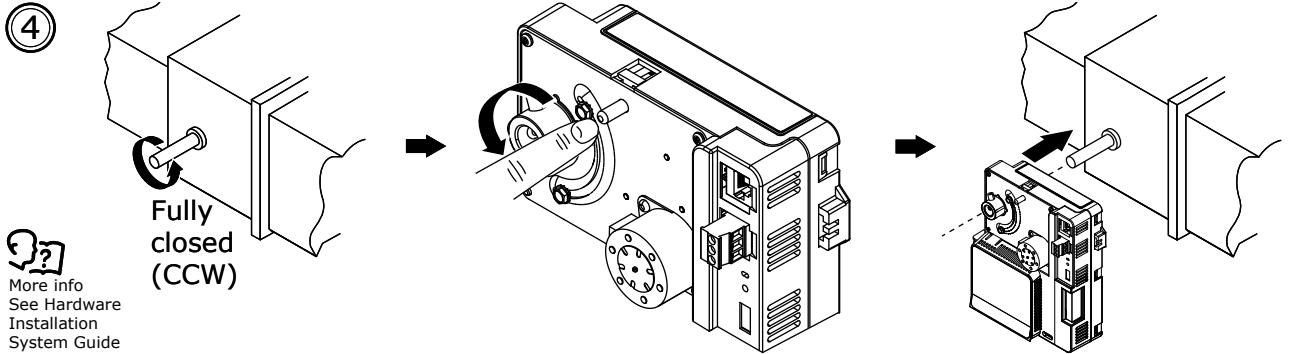
Determining the Damper Shaft Length and Diameter



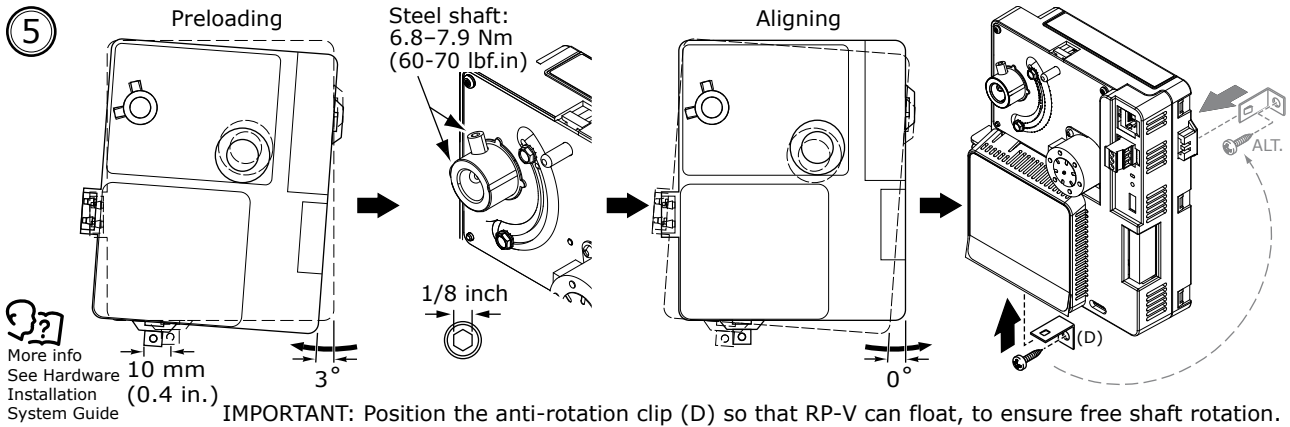
Moving the Damper Shaft Mounting Screws to the Alternative Positions for Short Shafts Only



Installing the RP-V over the Damper Shaft



Securing the RP-V to the Damper Shaft and the VAV Box



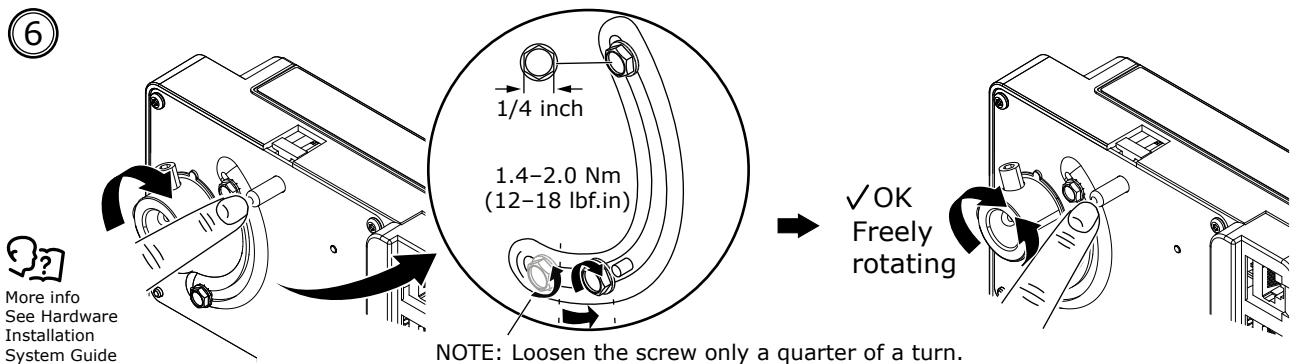
Adjusting the Position of the CW Travel Adjustment Screw (Open CW Stop)

NOTICE

VAV DAMPER NOT PROPERLY CONTROLLED

Ensure that the VAV controller damper actuator can rotate freely between the fully open and fully closed positions.

Failure to follow these instructions can result in the VAV damper not being properly controlled by the controller.



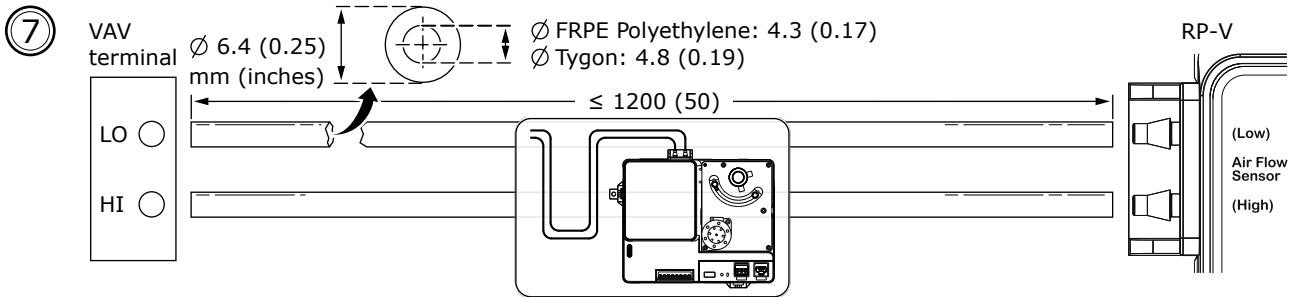
Connecting the Air Flow Sensor

NOTICE

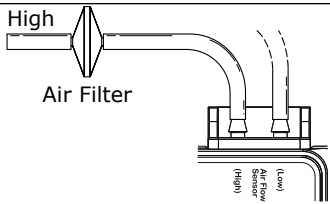
AIR FLOW SENSOR DAMAGE

Create a tubing dip that extends below the elevation of the barbed fittings to help prevent moisture from entering the VAV controller. This applies to all controller orientations.

Failure to follow these instructions can result in equipment damage.



NOTE: When operating in an unusually dusty environment, connect an in-line air filter on the high side pressure tube from the VAV box with the filter positioned close to the VAV box. The filter helps prevent dust from entering the velocity measurement tube.



Connections and Address DIP Switch

NOTICE

CONTROLLER DAMAGE OR VAV DAMPER NOT PROPERLY CONTROLLED

- Before powering up the controller, ensure that the input power polarity is correct and that the voltage level meets the specifications of the controller.
- Ensure that the controller is properly installed and secured before the application of 24 VAC power and the damper position calibration that starts automatically with it.

Failure to follow these instructions can result in equipment damage or the VAV damper not being properly controlled by the controller.

Maximum bus lengths:
 Sensor bus: 61 m (200 ft)
 Modbus: 72 m (236 ft)
 Use Cat 5 (or higher) cable, 22 to 26 AWG, rated for the target environment.

Maximum bus length:
 BACnet MS/TP bus: 1200 m (4000 ft)
 Torque: 0.50 Nm (4.4 lbf.in)

SSR Output Ratings:
 30 VAC / VDC, 1.5 A
 Max 3 A Total

Ub Ratings:
 Input: 24 VDC, 2.4 mA
 Output: 0-10 VDC, 2.4 KΩ MIN

Torque:
 0.56 to 0.79 Nm
 (5 to 7 lbf.in)

NOTE: Configure a unique MS/TP address during installation. Position 8 is not used.

More info: See Hardware Install. System Guide

Wiring

Recommended screw tightening torque for removable screw terminal block: 0.5 Nm (4.5 lbf.in)
 Recommended screw tightening torque for fixed screw terminal blocks: 0.56 to 0.79 Nm (5 to 7 lbf.in)
 For information on wiring, see the SpaceLogic and EasyLogic - Hardware Installation System Guide.

Configuring a Unique MS/TP Address

Configure a unique MS/TP address for the device during installation. Use position 1 to 7 on the Address DIP switch. Position 1 to 7 represent the binary values 1, 2, 4, 8, 16, 32, and 64. For example, to configure MS/TP address 6, set DIP switches 2 and 3 to ON and switches 1, 4, 5, 6, and 7 to OFF. For more information, see the SpaceLogic and EasyLogic - Hardware Installation System Guide.

Part Numbers

Product	Part number
RP-V-5C-M	SXWRPV5CM10001
Adapter for damper shaft diameter 9.5 mm (3/8 inch)	AM-135

Specifications

AC input Nominal voltage 24 VAC \sim 50/60 Hz Power consumption 11 VA Port types RS-485 port Com A 24 VDC, 3 W, RS-485 (RJ45) RS-485 port Com B RS-485 (3-pole screw terminal block) Operation environment Ambient temperature, operating 0 to 50 °C (32 to 122 °F)	Humidity Maximum 95 % RH non-condensing Mechanical Ingress protection rating IP 20 Plastic flame rating UL94 V-0 Plenum rating UL 2043 (Approved for plenum installations) Ub – Universal I/O Input rating 24 VDC --- , 2.4 mA Voltage output rating 0 to 10 VDC --- , 2.4 kohm (min.)	Channels 2 DO – Solid-state relay outputs Output rating 30 VAC \sim / 30 VDC --- , 1.5 A Max. 3 A total load Output rating for UL applications 24 VAC \sim , Class 2, 1.5 A Max. 3 A total load Channels 3
---	---	---

Addendum - California Proposition 65 Warning Statement for California Residents

⚠ WARNING: This product can expose you to chemicals including lead which is known to the State of California to cause cancer and which is known to the State of California to cause birth defects or other reproductive harm. For more information go to www.P65Warnings.ca.gov

部件名称 (Part Name)	有害物质 (Hazardous Substances)					
	铅 (Pb)	汞 (Hg)	镉 (Cd)	六价铬 (Cr (VI))	多溴联苯 (PBB)	多溴二苯醚 (PBDE)
塑料部件 (Plastic Parts)	○	○	○	○	○	○
电子件 (Electronics)	X	○	○	○	○	○

本表格依据 SJ/T11364 的规定编制。(This table is made according to SJ/T 11364.)

○: 表示该有害物质在该部件所有均质材料中的含量均在 GB/T 26572 规定的限量要求以下。
 (Indicates that the concentration of hazardous substance in all of the homogeneous materials for this part is below the limit as stipulated in GB/T 26572.)

X: 表示该有害物质至少在该部件的某一均质材料中的含量超出 GB/T 26572 规定的限量要求。
 (Indicates that the concentration of hazardous substance in at least one of the homogeneous materials used for this part is above the limit as stipulated in GB/T 26572.)

