

Section 17

Contactors and Starters-IEC



TeSys island Load Management System



TeSys Deca Series 9--150 Amperes



TeSys Giga Series 115--800 Amperes



TeSys Ultra Combination Motor Controllers



Scan here to access our online digital easy motor control selectors

TeSys Selection Overview	17-2
Solutions that enhance machine intelligence	17-2
Two-Component Motor Circuit Solutions to 520 amps	17-4
Digital Motor Control Solution	17-5
TeSys island Load Management System	17-5
Contactors and Overload Relays	17-8
TeSys™ K Contactors and Overload Relays	17-8
TeSys™ K Non-Reversing Mini-Contactors	17-8
TeSys™ K Overload Relays	17-9
TeSys™ K Reversing Mini-Contactors	17-9
TeSys™ Deca Series 9–150 Amperes	17-10
TeSys™ Deca Non-Reversing Contactors	17-10
TeSys™ Deca Overload Relays	17-11
TeSys™ Deca Reversing Contactors	17-12
TeSys™ Giga Series 115–800 Amperes	17-13
TeSys™ Giga Non-Reversing Contactors	17-13
TeSys™ Giga Overload Relays	17-14
TeSys™ Giga Reversing Contactors	17-14
TeSys™ F 780–2600 Amperes	17-15
TeSys™ F Non-Reversing Contactors	17-15
Contactor Accessories	17-16
TeSys™ K Contactors	17-16
TeSys™ Deca and F Contactors	17-17
TeSys™ Deca Contactors	17-19
TeSys™ Giga Contactors	17-22
Overload Relay Accessories	17-25
TeSys™ Deca Overload Relays	17-25
Motor Starters and Protectors	17-26
TeSys™ Ultra Combination Motor Controllers	17-26
TeSys™ Motor Starters and Protectors	17-30
TeSys™ BV4 Motor Circuit Protection Selection	17-32
TeSys™ Deca Enclosed Starters	17-35
Soft Starter Module ATSU01	17-38
ATSU01 Altistart™ and TeSys™ Ultra	17-38
Replacement Parts	17-39
TeSys™ Deca Series	17-39
TeSys™ Giga Series	17-41
Wiring Systems	17-42
TeSys™ AK5 Panel Busbar System	17-42
Dimensions	17-43

TeSys Control Solutions

TeSys offers solutions for a variety of common control applications, including small to large loads, motor and non-motor loads, in various forms to meet customers specific needs. Basic solutions offer traditional approaches that meet compact, cost-effective, and large HP applications. TeSys also equips OEMs and System Integrators with EcoStruxure Machine connected product solutions that are IoT ready offers to help enhance the intelligence of machinery and equipment, helping to recognize and address potential issues before stoppage and decrease unplanned downtime.

Table 17.1: Solutions that enhance machine intelligence

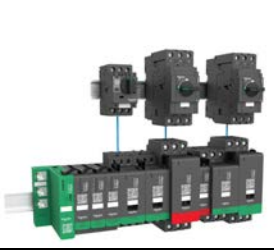



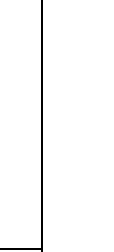







	Solution 1 — TeSys™ island as group motor	Solution 2 — TeSys island with individual protection	Solution 3 — TeSys Ultra (Type E self-protected) using Multi-function trip unit & communication module or using pre-trip alarm function module	Solution 4 — TeSys Tera overload relay	Solution 5 — TeSys GV4PB, GV5PB, GV6PB with SDx Module
					
Best Practice Scenario	Ideal for panels with multiple loads . Single bus coupler serves as connection to PLC, manages logic and configuration for starters.	Ideal for panels with multiple loads . Single bus coupler serves as connection to PLC, manages logic and configuration for starters.	Ideal for panels with one or two motors . Each starter communicates directly to PLC.	Ideal for larger HP . Each overload relay communicates directly to PLC.	Ideal for adding intelligence using a simple NO/NC pre-trip alarm contact — Use of PLC to receive/interpret data not required.
Benefits	See load, device and system performance. Set alarms to anticipate maintenance and optimize performance.	See load, device and system performance. Set alarms to anticipate maintenance and optimize performance.	See load performance. Set alarms to anticipate maintenance and optimize performance.	See load performance. Set alarms to anticipate maintenance and optimize performance.	Pre-trip alarm NO/NC contact alerts prior to trip, enabling proactive actions to minimize downtime or alert operators
Circuit Protection	Circuit breaker or fuse protection group	Circuit breaker or fuse	TeSys Ultra (applied as Type E self protected), using advanced trip unit/function modules	Breaker or fuse	GV4PB, GV5PB, GV6PB
Motor Control	TeSys island load management system with or without TeSys Deca Manual Motor Controllers	TeSys island load management system		TeSys Deca or Giga contactors	TeSys Deca or Giga contactor
Motor Overload Protection				TeSys Tera overload relay	(included in GV*PB)
Load Types	Motor, resistive/non-inductive, isolation	Motor, resistive/non-inductive, isolation	Motor loads only	Motor loads only	Motor loads only
Max HP 480V	40 HP	40 HP	20 HP	500 HP (up to 810 amps)	450 HP (up to 520 amps)
SCCR	basic 5 kA up to high 50 kA (with GV)	high, to 100 kA	High, to 65 kA	Depends on configuration	Depends on configuration
Available data	Device status/performance Load performance including alarms Voltage, Energy & Power	Device status/performance Load performance including alarms Voltage, Energy & Power	Load performance including alarms	Load performance including alarms Voltage & Power	Pre-trip alarm (via NO/NC contact)
Communication	Ethernet IP, Modbus TCP, Profinet, Profibus	Ethernet IP, Modbus TCP, Profinet, Profibus	Modbus™, CANopen, DeviceNet™, Profibus™	Modbus™, Profibus™, Ethernet/IP, and Modbus/TCP	None

Table 17.2: Basic — Traditional motor control solution

	Solution 1 — Two component solution		Solution 2 — Single component solution	Solution 3 — Group Motor solution	Solution 5 — Three component solution (Breaker/fuse, contactor & overload relay)	Solution 6 — Type D solution (Motor circuit protector, contactor & overload relay)	Solution 7 — Non-motor load solution (Breaker/fuse + contactor)
	Type F — up to 65 amps	Motor Protective Circuit Breakers + contactor - up to 520 amps	Type E — up to 32 amps	up to 65 amps			
							
Best Practice Scenario	Most cost effective, high SCCR solution		Most compact, also ideal for critical uptime applications resetable after a short-circuit with no component replacement), high SCCR solution	Few components, 480V delta rated	three-component solution, ideal for higher HPs or high SCCR	ideal for pumping applications, includes adjustable motor in rush sensitivity	ideal for non-motor loads
Benefits	Simple, two-component solution, cost effective, fast power wiring using bus bars	Simple, two-component solution, cost effective for larger HP motors	Single component solution, Type 2 rated (minimize downtime after short-circuit)	cost effective solution ideal for panels with many motor loads (single breaker for multiple starters)	basic solution, ideal for 480V delta applications, resetable after breaker trip	adjustable motor inrush sensitivity, ideal for pumping applications	ideal for non-motor loads
Circuit Protection	TeSys™ Deca GV2P, GV3P (applied as Type F with contactor)	TeSys™ Giga GV4PB, GV5PB, GV6PB (UL 489)	TeSys Ultra, with basic trip unit	PowerPact or Multi9 (UL 489) or fuses	PowerPact or Multi9 (UL 489) or TeSys DF, LS1 fuseholder, GS disconnect with fuses	TeSys BV4 (UL 489)	PowerPact or Multi9 (UL 489) or TeSys DF, GS disconnect with fuses
Motor Control	Tesys Deca LC1D	TeSys Deca LC1D or Giga LC1G		TeSys Deca LC1D	TeSys Deca LC1D or TeSys Giga LC1G	TeSys Deca LC1D	TeSys Deca LC1D or TeSys Giga LC1G
Motor Overload Protection	(included in GV)	(included in GV)		TeSys Deca GV	TeSys Deca LR or TeSys Giga LR9G	TeSys Deca LR	—
Load Types	Motor loads only	Motor loads only	Motor loads only	Motor loads only	Motor loads only	Motor loads only	Resistive/non-inductive, isolation

Two-Component Motor Circuit Solutions to 520 Amps

Simplify design, panel space and installation with TeSys™ high SCCR solution that use only two components that make up an entire branch circuit up to 520 amps. These two-component solutions are UL compliant using either a Type F combination motor controller rating or a UL 489 rating. For additional solutions and ratings, see Motor Control Solutions for North America data bulletin 8536DB0901.



TeSys™ Deca Series



TeSys™ Giga Series



Table 17.3: Quick selection table for TeSys™ two-component motor circuit solutions

200 V 3P		230 V 3P		460 V 3P		GV Ref	Overload Dial Range (A)	Contactor Ref [1]	SCCR 480Y as applied with specified protection
HP	FLA[2]	HP	FLA[2]	HP	FLA[2]				
—	—	—	—	1/2	1.1	GV2P06	1 to 1.6	LC1D09G7	65 kA[3]
—	—	—	—	3/4	1.6	GV2P06	1 to 1.6	LC1D09G7	65 kA[3]
1/2	2.5	1/2	2.2	1	2.1	GV2P07	1.6 to 2.5	LC1D09G7	65 kA[3]
—	—	—	—	1 1/2	3	GV2P08	2.5 to 4	LC1D09G7	65 kA[3]
3/4	3.7	3/4	3.2	2	3.4	GV2P08	2.5 to 4	LC1D09G7	65 kA[3]
1	4.6	1	4.2	3	4.8	GV2P10	4 to 6.3	LC1D09G7	65 kA[3]
—	—	1 1/2	6	—	—	GV2P10	4 to 6.3	LC1D09G7	65 kA[3]
1 1/2	6.9	2	6.8	—	—	GV2P14	6 to 10	LC1D12G7	65 kA[3]
2	7.8	—	—	5	7.6	GV2P14	6 to 10	LC1D12G7	65 kA[3]
—	—	3	9.6	—	—	GV2P16	9 to 14	LC1D12G7	50 kA[4]
3	11	—	—	7 1/2	11	GV2P16	9 to 14	LC1D18G7	50 kA[4]
—	—	—	—	10	14	GV2P16	9 to 14	LC1D18G7	50 kA[4]
5	17.5	5	15.2	—	—	GV2P20	13 to 18	LC1D18G7	50 kA[4]
—	—	7 1/2	22	15	21	GV2P21	17 to 23	LC1D25G7	50 kA[4]
7 1/2	25.3	—	—	—	—	GV2P22	20 to 25	LC1D25G7	50 kA[4]
—	—	10	28	20	27	GV3P32	23 to 32	LC1D32G7	65 kA[5]
10	32.2	—	—	25	34	GV3P40	30 to 40	LC1D40AG7	65 kA[5]
—	—	15	42	30	40	GV3P50	37 to 50	LC1D50AG7	65 kA[5]
15	48	20	54	40	52	GV3P65	48 to 65	LC1D65AG7	65 kA[5]
20	62.1	25	68	50	65	GV4PB115S	65 to 115	LC1D80G7	65 kA
25	78.2	30	80	60	77	GV4PB115S	65 to 115	LC1D80G7	65 kA
30	92	—	—	—	—	GV4PB115S	65 to 115	LC1D115G7	65 kA
—	—	40	104	75	96	GV5PB150S	58 to 130	LC1D115G7	65 kA
40	120	—	—	—	—	GV5PB150S	58 to 130	LC1D150G7	65 kA
—	—	50	130	100	124	GV5PB250S	114 to 217	LC1D150G7	65 kA
50	150	60	154	125	156	GV5PB250S	114 to 217	LC1G185	100 kA
60	177	75	192	150	180	GV5PB250S	114 to 217	LC1G225	100 kA
75	221	100	248	200	240	GV6PB400S	190 to 348	LC1G265	100 kA
100	285	125	312	250	302	GV6PB400S	190 to 348	LC1G330	100 kA
125	359	150	360	300	361	GV6PB600S	312 to 520	LC1G400	65 kA
150	414	200	480	400	477	GV6PB600S	312 to 520	LC1G500	65 kA
200	552	—	—	500	590	GV6PB600S	312 to 520	LC1G630	100 kA

[1] Add coil suffix to complete reference part number (See Table 17.23 TeSys Deca Coil Voltage Codes , page 17-10 for LC1D and Table 17.29 TeSys Giga Contactors — 3-Pole Standard Version, page 17-13 and Table 17.30 TeSys Giga Contactors — 3-Pole Advanced Version, page 17-13 for LC1F). For example, an LC1D09G7 includes a 120 Vac coil.
 [2] Motor Full Load Amp Sizes are based on NEC Table 430.250.
 [3] Requires use of GV1G09 or GV2GH7 line spacer for Type F rating. SCCR is 100 kA at 480Y with or without use of GV2G busbar links.
 [4] Requires use of GV1G09 or GV2GH7 line spacer for Type F rating. SCCR is 42 kA at 480Y when using GV2G busbar links.
 [5] Requires use of GV3G66 line spacer and GVAM11 short-circuit signaling contact for Type F rating.

New!

TeSys island Load Management System

TeSys island is an innovative digital load management solution—providing data for higher machine efficiency and ease of servicing, and allowing faster time to market.

TeSys island is a modular, multifunctional system providing integrated functions inside an automation architecture, primarily for the direct control and management of low-voltage loads. TeSys island can switch, help protect, and manage motors and other electrical loads up to 40 hp, 80 A installed in an electrical control Panel.

This system is designed around the concept of TeSys™ avatars.

These avatars:

- are the functional object representing a logical function of the physical module with pre-defined logic
- determine the configuration of the island.

The logical aspects of the island are managed with software tools, covering all phases of product and application lifecycle: design, engineering, commissioning, operation, and maintenance.



1	Bus Coupler	5	Power interface module
2	Analog I/O module	6	Standard Starter
3	Digital I/O module	7	SIL Starter
4	Voltage interface module	9	SIL interface module

The physical island consists of a set of devices installed on a single DIN rail controlling loads, monitoring data, diagnostics information and connected together with a ribbon cable providing the internal communication between modules.

The external communication with the automation environment is made via a single coupler module, and the island is seen as a single node on the network. The other modules include starters, power interface modules, analog and digital I/O modules, voltage interface modules, and SIL interface modules, covering a wide range of operational functions.

Product References

The TeSys island load management system consists of a bus coupler along with other starters and modules as needed to build an “island” of load management, monitoring & control functions. It is recommended to use the online EcoStruxure Motor Control Configurator to ensure proper application and sizing.



Scan the QR code to access our online EcoStruxure Motor Control Configurator



TPRBCEIP

Table 17.4: Bus Couplers

Designation	Upstream PLC protocol	Service Port protocol	Product Reference	Weight (kg)
TeSys island Bus Coupler	EtherNet/IP-Modbus TCP	Ethernet TCP/IP	TPRBCEIP	0.204
	PROFINET	Ethernet TCP/IP	TPRBCPFN	0.204
	PROFIBUS	Ethernet TCP/IP	TPRBCPF8	0.204



TPRST009

Table 17.5: 3-Pole Starters

Maximum Horsepower Ratings							Continuous Current Rating (A) UL General Purpose (A)	Product Reference	Weight (kg)
Single-Phase		Three-Phase							
115 V	230 V	200 V	230 V	460 V	575 V				
1/3	1	2	2	5	5	15	TPRST009	0.656	
2	3	7 1/2	7 1/2	15	20	30	TPRST025	0.718	
2	5	10	10	20	25	40	TPRST038	0.718	
5	10	20	20	40	50	80	TPRST065	1.248	
5	10	20	20	40	50	80	TPRST080	1.248	



TPRS025



TPRSM001



TPRVM001



TPRDG4X2

Table 17.6: 3-Pole SIL Starters

Maximum Horsepower Ratings							Continuous Current Rating (A) UL General Purpose (A)	Product Reference	Weight (kg)
Single-Phase		Three-Phase							
115 V	230 V	200 V	230 V	460 V	575 V				
1/3	1	2	2	5	5	15	TPRSS009	0.656	
2	3	7 1/2	7 1/2	15	20	30	TPRSS025	0.718	
2	5	10	10	20	25	40	TPRSS038	0.718	
5	10	20	20	40	50	80	TPRSS065	1.248	
5	10	20	20	40	50	80	TPRSS080	1.248	

Table 17.7: 3-Pole Power Interface Modules (PIM) Starters

Continuous Current Rating (A) UL General Purpose (A)	Product Reference	Weight (kg)
15	TPRPM009	0.255
40	TPRPM038	0.255
80	TPRPM080	0.425

Table 17.8: SIL Interface Module

Designation	Voltage (Vdc)	Product Reference	Weight (kg)
TeSys island SIL interface module (SIM)	24	TPRSM001	0.159

Table 17.9: Voltage Interface Module (VIM)

Designation	Phase	Voltage (V)	Frequency (Hz)	Product Reference	Weight (kg)
TeSys island Voltage interface module (SIM)	1P/3P	100 to 690	50–60	TPRVM001	0.159

Table 17.10: Digital I/O Module

Designation	Input Vdc	Output A / Vdc	Frequency (Hz)	Product Reference	Weight (kg)
TeSys island DG—Digital 4I/2O Module	24	0.5 / 24	50–60	TPRDG4X2	0.136

Table 17.11: Analog I/O Module

Designation	Inputs		Output		Product Reference	Weight (kg)
	mA dc	Vdc	mA dc	Vdc		
TeSys island—Analog 2I/2O Module	0–20	–10 to +10	0–20	–10 to +10	TPRAN2X1	0.172
	40–20	0–10	4–20	0–10		

TeSys™ K Non-Reversing Mini-Contactors



LC1K09



LP4K09

Table 17.12: Mini-Contactors with AC Operating Coils

Maximum Horsepower Ratings						Maximum Current (A)		UL General Purpose (A)	Type of Connection	Auxiliary Contacts		Catalog Number [1][2]	
Single-Phase		Three-Phase				Inductive AC3	Resistive AC1			N.O.	N.C.		
115 V	230 V	200 V	230 V	460 V	575 V								
0.5	1	1.5	1.5	3	3	6	20	10	Screw-clamp	1	—	LC1K0610●●	
—	—	—	—	—	—	—	—	—	—	1	1	LC1K0601●●	
0.5	1.5	2	3	5	5	9	20	20	Screw-clamp	1	—	LC1K0910●●	
—	—	—	—	—	—	—	—	—	—	—	1	—	LC1K0901●●
1	2	3	3	7.5	10	12	20	20	Screw-clamp	1	—	LC1K1210●●	
—	—	—	—	—	—	—	—	—	—	—	1	—	LC1K1201●●
4-Pole Mini Contactor													
1/2	1.5	2	3	5	5	9	20	20	Screw-clamp	4	—	LC1K09004●●	
—	—	—	—	—	—	—	—	—	—	2	2	LC1K09008●●	
1	2	3	3	7.5	10	12	20	20	Screw-clamp	4	—	LC1K12004●●	
4-Pole Mechanically Interlocked Contactors													
1/2	1.5	2	3	5	5	9	20	20	Screw-clamp	4	—	LC2K09004●●	
1	2	3	3	7.5	10	12	20	20	Screw-clamp	4	—	LC2K12004●●	

Table 17.13: Coil Voltage Codes for AC Contactors

Vac 50/60 Hz	24	110	120	230/240
Code	B7	F7	G7	U7

Table 17.14: Mini-Contactors with 24 Vdc Operating Coils

Maximum Horsepower Ratings						Maximum Current (A)		UL General Purpose (A)	Type of Connection	Auxiliary Contacts		Catalog Number [2]	
Single-Phase		Three-Phase				Inductive AC3	Resistive AC1			N.O.	N.C.		
115 V	230 V	200 V	230 V	460 V	575 V								
0.5	1	1.5	1.5	3	3	6	20	10	Screw-clamp	1	—	LP1K0610BD	
—	—	—	—	—	—	—	—	—	—	—	1	—	LP1K0601BD
0.5	1.5	2	3	5	5	9	20	20	Screw-clamp	1	—	LP1K0910BD	
—	—	—	—	—	—	—	—	—	—	—	1	—	LP1K0901BD
1	2	3	3	7.5	10	12	20	20	Screw-clamp	1	—	LP1K1210BD	
—	—	—	—	—	—	—	—	—	—	—	1	—	LP1K1201BD
4-Pole Mini Contactor													
1/2	1.5	2	3	5	5	9	20	20	Screw-clamp	4	—	LP1K09004BD	
—	—	—	—	—	—	—	—	—	—	2	2	LP1K09008BD	
1	2	3	3	7.5	10	12	20	20	Screw-clamp	4	—	LP1K12004BD	
4-Pole Mechanically Interlocked Contactors													
1/2	1.5	2	3	5	5	9	20	20	Screw-clamp	4	—	LP2K09004BD	
1	2	3	3	7.5	10	12	20	20	Screw-clamp	4	—	LP2K129004BD	

Table 17.15: Mini-Contactors with Low-Consumption 24 Vdc Operating Coil (includes built-in transient suppression) [3]

Maximum Horsepower Ratings						Maximum Current (A)		UL General Purpose (A)	Type of Connection	Auxiliary Contacts		Catalog Number [2]	
Single-Phase		Three-Phase				Inductive AC3	Resistive AC1			N.O.	N.C.		
115 V	230 V	200 V	230 V	460 V	575 V								
0.5	1	1.5	1.5	3	3	6	20	10	Screw-clamp	1	—	LP4K0610BW3	
—	—	—	—	—	—	—	—	—	—	—	1	—	LP4K0601BW3
0.5	1.5	2	3	5	5	9	20	20	Screw-clamp	1	—	LP4K0910BW3	
—	—	—	—	—	—	—	—	—	—	—	1	—	LP4K0901BW3
1	2	3	3	7.5	10	12	20	20	Screw-clamp	1	—	LP4K1210BW3	
—	—	—	—	—	—	—	—	—	—	—	1	—	LP4K1201BW3

[1] Complete the catalog number with the coil voltage from (for example LC1K0610G7).

[2] For additional terminal options and coil voltage/consumption options, see Catalog MKTED210011EN. Check with local sales office for availability.

[3] 1.8 W inrush.

TeSys™ K Overload Relays

Table 17.16: Overload Relays for 3-Pole Contactors with Screw-Clamp Terminals



LR2K0316

Current Setting Range (A)	Catalog Number
0.11 to 0.16	LR2K0301
0.16 to 0.23	LR2K0302
0.23 to 0.36	LR2K0303
0.36 to 0.54	LR2K0304
0.54 to 0.8	LR2K0305
0.8 to 1.2	LR2K0306
1.2 to 1.8	LR2K0307
1.8 to 2.6	LR2K0308
2.6 to 3.7	LR2K0310
3.7 to 5.5	LR2K0312
5.5 to 8	LR2K0314
8 to 11.5	LR2K0316
10 to 14	LR2K0321 [4]

- LR2K overload relays:**
- AC or DC protection
 - Ambient compensated bimetallic
 - Class 10
 - Single phase sensitivity
 - Manual or auto reset
 - Full load current dial



E164862
CCN NLDX
(screw terminals)



E164862
CCN NLDX2
(slip-on and solder-pin terminals)



LR43364
Class 3211 04



Accessories: page 17-16
Dimensions: page 17-58

TeSys™ K Reversing Mini-Contactors



LC2K0910



LP2K0910

Table 17.17: AC Operating Coils

Maximum Horsepower Ratings						Maximum Current (A)		Continuous Current Rating (A) UL General Purpose (A)	Type of Connection	Auxiliary Contacts		Catalog Number [5]/[6]
Single-Phase		Three-Phase				Inductive AC3	Resistive AC1			N.O.	N.C.	
115 V	230 V	200 V	230 V	460 V	575 V							
1/2	1	1.5	1.5	3	3	6	20	10	Screw-clamp	1	—	LC2K0610●●
										—	1	LC2K0601●●
1/2	1.5	2	3	5	5	9	20	20	Screw-clamp	1	—	LC2K0910●●
										—	1	LC2K0901●●
1	2	3	3	7.5	10	12	20	20	Screw-clamp	1	—	LC2K1210●●
										—	1	LC2K1201●●

Table 17.18: Coil Voltage Codes for AC Contactors

Vac 50/60 Hz Code	24	110	120	230/ 240
	B7	F7	G7	U7

Table 17.19: DC Operating Coils

Maximum Horsepower Ratings						Maximum Current (A)		Continuous Current Rating (A) UL General Purpose (A)	Type of Connection	Auxiliary Contacts		Catalog Number [6]
Single-Phase		Three-Phase				Inductive AC3	Resistive AC1			N.O.	N.C.	
115 V	230 V	200 V	230 V	460 V	575 V							
1/2	1	1.5	1.5	3	3	6	20	10	Screw-clamp	1	—	LP2K0610BD
										—	1	LP2K0601BD
1/2	1.5	2	3	5	5	9	20	20	Screw-clamp	1	—	LP2K0910BD
										—	1	LP2K0901BD
1	2	3	3	7.5	10	12	20	20	Screw-clamp	1	—	LP2K1210BD
										—	1	LP2K1201BD

Table 17.20: Coil Voltage Codes for DC Contactors

Coil with integral suppression device available. Add 3 to the code required. Example: JD3 [7]

Vdc	12	20	24	36	48	60	72	100	110	125	200	220	230	240	250
Code	JD	ZD	BD	CD	ED	ND	SD	KD	FD	GD	LD	MD	MPD	MUD	UD

Table 17.21: Coil Voltages for DC Contactors—Low Consumption [8]

Vdc	12	24	48	72
Code	JW3	BW3	EW3	SW3

Overload Relays: page 17-9
Accessories: page 17-16
Dimensions: page 17-58

[4] Not UL Listed.

[5] Complete the catalog number with the coil voltage code from Table 17.18 (for example, LC2K0610G7).

[6] For additional terminal options and coil options, see Catalog MKTED210011EN. Check with local sales office for availability.

[7] 3 W inrush.

[8] 1.8 W inrush.

New!

TeSys™ Deca Non-Reversing Contactors

The TeSys™ Deca Control Series of contactors (formerly known as TeSys D) provides high reliability and performance in a modern, modular approach. TeSys Deca contactors are UL approved to 100 hp 480 V and 160 amperes continuous current. In addition, they provide a modern appearance with new features such as multi-standard screw terminals that accommodate flat, Phillips and Pozidriv screwdrivers, as well as the new UL60335 approved plastics with greater endurance in the presence of heat or fire.



TeSys Deca Contactor

Table 17.22: TeSys Deca Contactors — 3 or 4 Pole, Screw Terminal Connections

Maximum Horsepower Ratings						Maximum Current (A)		UL General Purpose (A)	No. of Poles		Instantaneous Auxiliary Contacts		Catalog Number [9][10]
Single-Phase			Three-Phase			Inductive AC3	Resistive AC1		N.O.	N.C.	N.O.	N.C.	
115 V	230 V	200 V	230 V	460 V	575 V								
1/3	1	2	2	5	7.5	9	20	25	3	0	1	1	LC1D09●●
—	—	—	—	—	—	—			4	2			LC1DT20●●
—	—	—	—	—	—	—			2	2			LC1D098●●
1/2	2	3	3	7.5	10	12	25	25	3	0	1	1	LC1D12●●
—	—	—	—	—	—	—			4	2			LC1DT25●●
—	—	—	—	—	—	—			2	2			LC1D128●●
1	3	5	5	10	15	18	32	32	3	0	1	1	LC1D18●●
—	—	—	—	—	—	—			4	2			LC1DT32●●
—	—	—	—	—	—	—			2	2			LC1D188●●
2	3	7.5	7.5	15	20	25	40	40	3	0	1	1	LC1D25●●
—	—	—	—	—	—	—			4	2			LC1DT40●●
—	—	—	—	—	—	—			2	2			LC1D258●●
2	5	10	10	20	25	32	50	50	3	0	1	1	LC1D32●●
2	5	10	10	20	25	38			3	0			LC1D38●●
3	5	10	10	30	30	40			3	0			LC1D40A●●
—	—	—	—	—	—	—	60	60	4	0	0	0	LC1DT60A●●
3	7.5	15	15	40	40	50			3	0			LC1D50A●●
5	10	20	20	40	50	65			3	0			LC1D65A●●
—	—	—	—	—	—	—	80	80	4	0	0	0	LC1DT80A●●
7.5	15	25	30	60	60	80			3	0			LC1D80●●
—	—	—	—	—	—	—			4	2			LC1D80004●●
—	—	—	—	—	—	—	125	110	2	2	0	0	LC1D80008●●
7.5	15	25	30	60	60	95			3	0			LC1D95●●
—	—	30	40	75	100	115			3	0			LC1D115A●●
—	—	40	50	100	125	150	200	160	3	0	1	1	LC1D150A●●
—	—	—	—	—	—	—			4	0			LC1DT200A●●

Table 17.23: TeSys Deca Coil Voltage Codes

Contactor	D09–D38	D40A–D65A	D80–D95	D115–D150
AC 50/60 Hz				
24 V	B7	B7	B7	—
110 V	F7	F7	F7	—
120 V	G7	G7 ^[11]	G7	—
240 V	U7	U7	U7	—
480 V	T7	T7 ^[11]	T7	—
AC/DC				
24–60 V	BNE	BNE	—	BNE
48–130 V	EHE	EHE	—	EHE
100–250 V	KUE	KUE	—	KUE
200–500 V	—	—	—	LSE
DC				
24 V	BL	BBE	BD	—

Table 17.24: Definite Purpose Ratings, 3-Phase, Breaking All Lines, 100,000 Cycles (Hermetic Refrigeration Compressor, AC-8a)

Device	FLA	LRA		
		240 V	480 V	600 V
LC1D09 (AC coil only)	9	54	45	36
LC1D12 (AC coil only)	12	72	60	48
LC1D18 (AC coil only)	18	108	90	72
LC1D25 (AC coil only)	25	150	125	100
LC1D32 (AC coil only)	32	192	160	128
LC1D40A	40	240	200	160
LC1D50A	50	300	250	200
LC1D65A	65	390	325	260
LC1D80	75	450	375	300
LC1D115	115	690	575	460
LC1D150	150	900	750	600

[9] Complete the catalog number by adding the coil voltage code from Table 17.23 TeSys Deca Coil Voltage Codes, page 17-10 for example, LC1D09G7).

[10] For additional terminal options and coil options, see Catalog MKTED210011EN. Check with local sales office for availability.

[11] Contactors LC1D40A...80A, LC1DT60A and LC1DT80A for this coil voltage are 60 Hz only.

TeSys™ Deca Overload Relays



LRD07



LR9D32

Table 17.25: TeSys™ Deca Overload Relays—Ambient Compensated, Bimetallic, Direct Mounting

Current Setting Range (A)	For Direct Mounting to LC1D/LC2D...	Class 10 with Single-Phase Sensitivity	Class 10 without Single-Phase Sensitivity	Class 20 with Single-Phase Sensitivity	Class 20 without Single-Phase Sensitivity	
0.10–0.16	D09–D38	LRD01	LR3D01	—	—	
0.16–0.25		LRD02	LR3D02	—	—	
0.25–0.40		LRD03	LR3D03	—	—	
0.40–0.63		LRD04	LR3D04	—	—	
0.63–1		LRD05	LR3D05	LRD05L	—	
1–1.6		LRD06	LR3D06	LRD06L	—	
1.6–2.5		LRD07	LR3D07	LRD07L	LR3D07L	
2.5–4		LRD08	LR3D08	LRD08L	LR3D08L	
4–6		LRD10	LR3D10	LRD10L	LR3D10L	
5.5–8		LRD12	LR3D12	LRD12L	LR3D12L	
7–10		LRD14	LR3D14	LRD14L	LR3D14L	
9–13		D12–D38	LRD16	LR3D16	LRD16L	LR3D16L
12–18		D18–D38	LRD21	LR3D21	LRD21L	LR3D21L
16–24		D25–D38	LRD22	LR3D22	—	—
17–24	D25–D38	—	—	LRD22L	LR3D22L	
23–32	D25–D38	LRD32	LR3D32	LRD32L	LR3D32L	
30–38	D32–D38	LRD35	LR3D35	—	—	
9–13	D40A–D65A	LRD313	LR3D313	LRD313L	—	
12–18	D40A–D65A	LRD318	LR3D318	LRD318L	—	
17–25	D40A–D65A	LRD325	LR3D325	LRD325L	—	
23–32	D40A–D65A	LRD332	LR3D332	LRD332L	—	
30–40	D40A–D65A	LRD340	LR3D340	LRD340L	—	
37–50	D40A–D65A	LRD350	LR3D350	LRD350L	—	
48–65	D40A–D65A	LRD365	LR3D365	LRD365L	—	
17–25	D40–D95	LRD3322	LR3D3322	LRD3322L	LR3D3522	
23–32	D40–D95 [12]	LRD3353	LR3D3353	LRD3353L	LR3D3553	
30–40	D40–D95 [12]	LRD3355	LR3D3355	LRD3355L	LR3D3555	
37–50	D50–D95 [12]	LRD3357	LR3D3357	LRD3357L	LR3D3557	
48–65	D50–D95 [12]	LRD3359	LR3D3359	LRD3359L	LR3D3559	
55–70	D65–D95	LRD3361	LR3D3361	LRD3361L	LR3D3561	
63–80	D65–D95	LRD3363	LR3D3363	LRD3363L	LR3D3563	
80–104	D95	LRD3365	—	—	—	
80–104	D115A–D150A	LRD4365	—	—	—	
95–120	D115A–D150A	LRD4367	—	—	—	
110–140	D150A	LRD4369	—	—	—	

Table 17.26: TeSys Deca Electronic Overload Relays 01 to 32 Amperes

Current Setting Range (A)	For Direct Mounting Beneath Contactor LC1D/LC2D	Class 5/10/20/30 Selectable
0.1–0.5	D09–D38	LR9D01
0.4–2	D09–D38	LR9D02
1.6–8	D09–D38	LR9D08
6.4–32	D09–D38	LR9D32

Table 17.27: TeSys Deca Electronic Overload Relays 60 to 150 Amperes

Current Setting Range (A)	For Direct Mounting Beneath Contactor LC1	Class 10	Class 20	Class 10/20 Selectable
60–100	D115A–D150A	LR9D5367	LR9D5567	LR9D67
90–150	D115A–D150A	LR9D5369	LR9D5569	LR9D69

TeSys Deca contactor accessories: page 17-17
 TeSys Deca overload relay accessories: page 17-25
 TeSys Deca replacement coils: page 17-39
 Dimensions: page 17-43 to page 17-54



E164862
CCN NLDX



LR43364
Class 3211 04




[12] Direct Mount to old D2 style D40 to D65 (no Everlink terminations) and to D80 and D95 only.

New!

TeSys™ Deca Reversing Contactors

Each 3-pole device is pre-wired with line and load side power wiring for reversing applications. Each 4-pole device is prewired with load side power wiring.

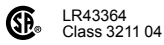
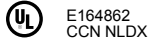
Table 17.28: TeSys Deca Mechanically-Interlocked Reversing Contactors

	Maximum Horsepower Ratings						Maximum Current (A)		UL General Purpose (A)	No. of N.O. Power Poles	Built In Auxiliary Contacts (per contactor)		Catalog Number [13][14][15]
	Single-Phase		Three-Phase				Inductive AC3	Resistive AC1			N.O.	N.C.	
	115 V	230 V	200 V	230 V	460 V	575 V							
 LC2D09B7	1/3	1	2	2	5	7.5	9	20	25	3	1	1	LC2D09●●
	1/2	2	3	3	7.5	10	12	25	25	3	1	1	LC2D12●●
	1	3	5	5	10	15	18	32	32	3	1	1	LC2D18●●
	2	3	7.5	7.5	15	20	25	40	40	3	1	1	LC2D25●●
	2	5	10	10	20	25	32	50	50	3	1	1	LC2D32●●
	2	5	10	10	20	25	38			3	1	1	LC2D38●●
	3	5	10	10	30	30	40	60	60	3	1	1	LC2D40A●●
	3	7.5	15	15	40	40	50	80	80	3	1	1	LC2D50A●●
	5	10	20	20	40	50	65			3	1	1	LC2D65A●●
	7.5	15	25	30	60	60	80	125	110	3	1	1	LC2D80●●
	7.5	15	25	30	60	60	95			3	1	1	LC2D95●●

TeSys Deca contactor accessories: TeSys™ Deca and F Auxiliary Contacts, Time Delay, Mechanical Latch, page 17-17

TeSys Deca replacement coils: page 17-39

TeSys Deca dimensions: page 17-43 to page 17-54



[13] Includes mechanical interlock without electrical contacts. Installer to complete wiring for electronically interlocking contactor operating coils by using a N.C. auxiliary contact integrated in the contactor or optional LADN or LAD8N auxiliary contact block.

[14] Complete the catalog number by adding the coil voltage code from Table 17.23 TeSys Deca Coil Voltage Codes, page 17-10 (for example, LC2D09KUE).

[15] For additional terminal options and coil voltage/consumption options, see Catalog MKTED210011EN. Check with local sales office for availability.

New!

TeSys™ Giga Non-Reversing Contactors

TeSys™ Giga Series is the newest motor control range for large motor and large load applications. This new offering brings greater performance, panel design optimization, and enhanced ease of installation.

TeSys Giga contactors are available in 115 to 800 amperes in both 3-pole and 4-pole configurations. Designers can choose between the standard version and an advanced version. The advanced version provides additional features such as additional coil voltages, lower coil consumption, PLC input control, and a cable memory feature that permits maintenance without removing cables or busbar connections. For lug options, see [Table 17.59 Lugs and Mounting for TeSys™ Giga Contactors and Overload Relays](#), page 17-22.



TeSys™ Giga Contactors — Standard



TeSys™ Giga Contactors — Advanced

Table 17.29: TeSys Giga Contactors — 3-Pole Standard Version

Motor rating (hp) UL 3-phase				Continuous current (A) UL General purpose (A)	Standard version contactors AC/DC coil voltage 3-pole ^[16]	
200/208 V	230/240 V	460/480 V	575/600 V		48–130 V	100–250 V
30	40	75	100	210	LC1G115EHEN	LC1G115KUEN
40	50	100	125	230	LC1G150EHEN	LC1G150KUEN
50	60	125	150	250	LC1G185EHEN	LC1G185KUEN
60	75	150	150	290	LC1G225EHEN	LC1G225KUEN
75	100	200	200	340	LC1G265EHEN	LC1G265KUEN
100	125	250	300	390	LC1G330EHEN	LC1G330KUEN
125	150	300	400	490	LC1G400EHEN	LC1G400KUEN
150	200	400	450	630	LC1G500EHEN	LC1G500KUEN
250	300	600	700	850	LC1G630EHEN	LC1G630KUEN
300	350	700	800	900	LC1G800EHEN	LC1G800KUEN

Table 17.30: TeSys Giga Contactors — 3-Pole Advanced Version

Motor rating (hp) UL 3-phase				Continuous current (A) UL General purpose (A)	Standard version contactors AC/DC coil voltage 3-pole ^[16]		
200/208 V	230/240 V	460/480 V	575/600 V		24–48 V	48–130 V	200–500 V
30	40	75	100	210	LC1G115BEEA	LC1G115EHEA	LC1G115LSEA
40	50	100	125	230	LC1G150BEEA	LC1G150EHEA	LC1G150LSEA
50	60	125	150	250	LC1G185BEEA	LC1G185EHEA	LC1G185LSEA
60	75	150	150	290	LC1G225BEEA	LC1G225EHEA	LC1G225LSEA
75	100	200	200	340	LC1G265BEEA	LC1G265EHEA	LC1G265LSEA
100	125	250	300	390	LC1G330BEEA	LC1G330EHEA	LC1G330LSEA
125	150	300	400	490	LC1G400BEEA	LC1G400EHEA	LC1G400LSEA
150	200	400	450	630	LC1G500BEEA	LC1G500EHEA	LC1G500LSEA
250	300	600	700	850	—	LC1G630EHEA	LC1G630LSEA
300	350	700	800	900	—	LC1G800EHEA	LC1G800LSEA

[16] See [MKTED210011EN](#) for 4-pole contactors and additional accessories.

New!

TeSys™ Giga Overload Relays

TeSys™ Giga electronic overload relays provide wide protection flexibility in a limited number of references that cover up to 630 amperes. Alarm and status LEDs inform users in real time. Ground fault, phase imbalance, trip class (5E, 10E, 20E, 30E), and reset type can easily be configured on the device. Units can be directly mounted to the TeSys Giga contactors or can be individually wired.



LR9G630

Table 17.31: TeSys™ Giga 3-Pole Overload Relays

Relay setting range	For direct mounting beneath contactor LC1G	Reference
A Class 5...30 A		
28...115	LC1G115...225	LR9G115
57...225	LC1G115...225	LR9G225
125...500	LC1G265...500	LR9G500
160...630	LC1G630	LR9G630

New!

TeSys™ Giga Reversing Contactors

Components are available for customer assembly of TeSys™ Giga reversing contactors. For example, the following components must be ordered to build a reversing contactor, 200 hp at 460 V, with a 100–250 V AC/DC coil.

Table 17.32: Components Required for Building a Reversing Contactor

Description	Quantity	Reference
Contactors	2	LC1G265KUEN
Lugs	1	DZ2FJ6
Terminal Mounting	2	LA9G3612
Auxiliary Contacts	(included)	–
Power Connections	1	LA9G3761
Mechanical Interlock	1	LA9G970

TeSys™ F Non-Reversing Contactors

Table 17.33: TeSys F Contactors—3 Pole


	Maximum Three-Phase Horsepower Ratings				Maximum Current (A)		Continuous Current Rating (A) UL General Purpose (A)	Number of Poles	Catalog Number [17]	
	200 V	230 V	460 V	575 V	Inductive AC-3	Resistive AC-1			[18]	
 <p>LC1F2100</p>	350	400	900	—	1000	1000	1250	3	LC1F1000	
	—	450	900	900	780	1600	1350	3	LC1F780	
	Current Rated						1400	1400	3	LC1F1400
							1700	1700	3	LC1F1700
							2100	2100	3	LC1F2100

Table 17.34: TeSys F Coil Voltage Codes [18]

Contactor	F780[19]	F1000	F1400–F2100
Coil Suffix Code AC 50/60 Hz			
120 V	G7	G7	G7
Coil Part Number (Order Separately) AC 50/60 Hz			
120 V	LX1FX110	LX1FK065 [20]	LX1FK070 [20]
240 V	LX1FX220	LX1FK127 [20]	LX1FK127 [20]
480 V	LX1FX415	LX1FK240 [20]	LX1FK240 [20]
Coil Part Number (Order Separately) DC			
24 V	—	—	—

[17] Complete the catalog number by adding the coil voltage code from [Table 17.34 TeSys F Coil Voltage Codes](#), page 17-15 (for example, LC1F265G7), or order the contactor (without a coil) and the coil separately. All coils except F780 include 1 N.O. holding circuit interlock contact. The F780 uses two coils that must be wired in series.
 [18] For additional pole options and coil voltage options, see Catalog [MKTED210011EN](#). Check with local sales office for availability.
 [19] LC1F780 contactors operate with 2 coils as a set. The LX1FX* part number includes both coils.
 [20] Order 2 coils and connect them in series.

TeSys™ K Contactors

Table 17.35: Instantaneous Auxiliary Contact Blocks^[1]



LA1KN22

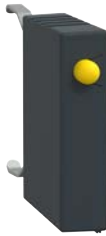
Clip-on front mounting, 1 block per contactor and 2 blocks per pair of mechanically interlocked contactors			
Type of connection	Auxiliary Contacts		Catalog Number
	N.O.	N.C.	
Screw clamp	2	—	LA1KN20
	—	2	LA1KN02
	1	1	LA1KN11
	4	—	LA1KN40 [2]
	3	1	LA1KN31 [2]
	2	2	LA1KN22 [2]
	1	3	LA1KN13 [2]
	—	4	LA1KN04 [2]

Table 17.36: Electronic Time Delay Auxiliary Contact Blocks

Clip-on front mounting, 1 block per contactor and 2 blocks per pair of mechanically interlocked contactors				
Voltage (V)	Type	Timing Range (S)	Contacts	Catalog Number
24–48 Vac or Vdc	On-delay	1–30	SPDT	LA2KT2E
110–240 Vac	On-delay	1–30	SPDT	LA2KT2U

NOTE: Relay outputs, with single pole double throw, 240 Vac/Vdc, 2 A max.
Maximum switching capacity 250 VA / 150 W
Operating temperature: –10 to +60°C (14 to 140°F)
Reset time: 1.5 s during time delay, 0.5 after time delay

Table 17.37: Suppressor Module with Incorporated LED Indicator



LA4KE1B

Clip-on front mounting			
Voltage range	Type	Sold in lots of	Catalog Number
12–24 Vac/Vdc	Varistor	5	LA4KE1B [3]
32–48 Vac/Vdc	Varistor	5	LA4KE1E [3]
50–129 Vac/Vdc	Varistor	5	LA4KE1FC [3]
130–250 Vac/Vdc	Varistor	5	LA4KE1UG [3]
12–24 Vdc	Diode + Zener	5	LA4KC1B [4]
32–48 Vdc	Diode + Zener	5	LA4KC1E [4]
220–250 Vac	RC	5	LA4KA1U [5]

Table 17.38: Power Connectors

Description	Sold in lots of	Catalog Number
Set of 6 power connections for reversing contactors with screw-clamp terminals	100	LA9K0969

Table 17.39: Accessories for Overload Relays

Description	Type of Connection	Catalog Number
Terminal block for separate clip-on mounting of the overload relay onto 35 mm omega rail (AM1DP200)	Screw-clamp	LA7K0064

17 CONTACTORS AND STARTERS-IEC



[1] For additional terminal options, see Catalog MKTED210011EN. Check with local sales office for availability.
 [2] Block of 4 contacts cannot be used with LP4K or LP5K contactors.
 [3] Protection by limitation of the transient voltage to 2 Uc maximum. Maximum reduction of the transient voltage peaks. Slight time delay on drop-out (1.1–1.5 times normal).
 [4] No overvoltage or oscillation frequency. Polarized component. Slight time delay on drop-out (1.1–1.5 times normal).
 [5] Protection by limitation of the transient voltage to 3 Uc maximum and limitation of the oscillation frequency. Slight time delay on drop-out (1.2 times normal).

TeSys™ Deca and F Auxiliary Contacts, Time Delay, Mechanical Latch

Table 17.40: Standard, Instantaneous Auxiliary Contact Blocks



Front Mounted Auxiliary Blocks

Snap-On Mounting	Number of Contacts	Contact Arrangement		Catalog Number [6]
		N.O.	N.C.	
To the front of LC•DT20–D258 (4P), LC•D09–D150 [6]	4 [6]	2	2	LADN22 [7]
		1	3	LADN13 [7]
		4	0	LADN40 [7]
		0	4	LADN04 [7]
		3	1	LADN31 [7]
		2	2	LADC22 [7] [8]
	2	1	1	LADN11 [7] [9]
		2	0	LADN20 [7]
		0	2	LADN02 [7]
	To the front of LC•D80–D150	1	1	0
0			1	LADN01 [9]
To the side of LC•D09 to D150	2	1	1	LAD8N11 [10]
		2	0	LAD8N20 [10]

Table 17.41: Instantaneous Blocks with Dust-Tight Auxiliary Contacts (IP54) NEMA 12

Snap-On Mounting	Standard Contacts		Dust-Tight Contacts		Catalog Number
	N.O.	N.C.	N.O.	N.C.	
To the front of LP•D40–D80, LC•DT20–D258 (4P), LC•D09 to D95	—	—	2	—	LA1DX20
	2	—	2	—	LA1DZ40
	1	1	2	—	LA1DZ31
	—	—	2	—	LA1DY20 [11]

Table 17.42: Pneumatic Time Delay Contact Blocks

Snap-On Mounting	Time Delay Contacts		Type	Range of Time Delay	Catalog Number [12]
	N.O.	N.C.			
To the front of LP•D40–D80, LC•DT20–D258 (4P), LC•D09 to D150	1	1	On energization (on delay)	0.1 to 3 s [13]	LADT0
				0.1 to 30 s	LADT2
				10 to 180 s	LADT4
	1	1	On de-energization (off-delay)	1 to 30 s [14]	LADS2
				0.1 to 3 s [13]	LADR0
				0.1 to 30 s	LADR2
			10 to 180 s	LADR4	

Table 17.43: Mechanical Latch Blocks with Manual or Electrical Unlatch (TeSys™ Deca only)

Front snap-on mounting onto	Application	Catalog Number [15]
LC•D09 to D65A LC1D80 to D95	For silent operation and energy conservation	LAD6K10 [16][17]
LC1D115A to D150A, DT200A	For silent operation and energy conservation	LA6DK20 [16]

Table 17.44: Coil Voltage Codes for LAD6K/LA6DK Mechanical Latch Blocks

Volts	24	110/ 127	220/ 240
AC or DC	B	F	M

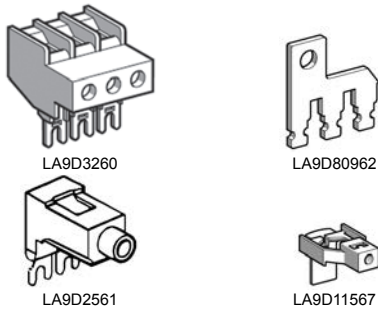
TeSys Deca contactors: TeSys™ Deca Non-Reversing Contactors, page 17-10 and TeSys™ Deca Reversing Contactors, page 17-12
TeSys Deca overload relay accessories: TeSys Deca Overload Relay Accessories, page 17-25
TeSys Deca replacement coils: page 17-39
TeSys Deca dimensions: page 17-43 to page 17-54



[6] For low consumption coils (LC1D09–D38 only), only one front-mounted two-contact block allowed. No side-mounted contact blocks allowed.
[7] For snap-in terminal versions of these blocks, add an **A** to the end of the catalog number (for example, LADN22**A**). For slip-on versions, add **9** to the end of the catalog number (for example, LADN22**9**).
[8] Including 1 N.O. + 1 N.C. make-before break overlapping contacts.
[9] This block cannot be added to the LC1D 09–D38 contactors; a maximum of 2 blocks can be mounted on the LC1D40A-LC1/LP1D80 contactors only.
[10] 1 block may be added to the left side of LC1D09–D38, AC coils only; only 1 block may be added to either side of the LC1D40A-D80 contactors, AC coils only. Cannot be installed on TeSys Deca contactors with DC coils.
[11] Device supplied with 4 ground terminal points.
[12] For spring terminal versions of these blocks, add a **3** to the end of the catalog number (for example, LADT2**3**).
[13] Scale range is expanded between 0.1 and 0.6 seconds on the dial for more accurate settings at the lower end of the range.
[14] Switching time between the opening of the N.C. contact and the closing of the N.O. contact: 40 ms ± 15 ms.
[15] To complete the catalog number, add the coil voltage code from Table 17.44. For additional voltage options, see Catalog MKTED210011EN. Check with local sales office for availability.
[16] Does not include internal coil clearing contact.
[17] Low consumption DC contactors (and relays) (code coil •L) are not compatible with the LAD6K10• mechanical latching blocks.

TeSys™ Deca Accessories [18]

Table 17.45: For Power Pole or Control Connection

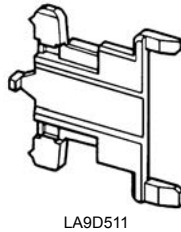


Description		For use with contactors LC1/LP1	Sold in lots of	Catalog Number	
Connectors for larger cable sizes	3 poles	#4 AWG (25 mm²)	D09–D38	1	LA9D3260
	4 poles		D40A–D80A	1	LAD96560
Everlink™ terminal block	3 poles		D115A–D150A	1	LAD91503A
	4 pole		DT200A	1	LAD91154A
	Links for the parallel connection of:	3 poles (wye-delta shorting strap)	D09–D38	10	LAD9P3
			D40A–D65A	1	LAD9P33
			D80, D95	1	LA9D80962
Control circuit take-off from main pole			D80, D95	10	LA9D8067
			D115A, D150A	10	LA9D11567
Plunger (fire pump accessory)			D09–150	—	LAD9FP3

Table 17.46: For Marking

Description		For use with contactors LC1/LP1	Sold in lots of	Catalog Number
Reference label holder	Snap-on, 8 x 22 mm	D115A–D150A, DT200A	100	LA9D92
	Snap-on, 8 x 18 mm, 3 poles	D09–D65A, DT20–DT80A, LADN, LADT, LADR	100	LAD90
Sheet of 300 labels self adhesive, 7 x 21 mm		For holder LA9D92	1	LA9D93

Table 17.47: For Mounting



Description		For use with contactors LC1/LP1	Sold in lots of	Catalog Number
Set of shims for mounting LAD8N and LA8DN		D80–D95	1	LA9D511
Retrofit plate for replacing LC1D40–D65 with LC1D40A–D65A		D40A–D65A	1	LAD7X3
Retrofit plate for replacing LC1D115 or D150 with LC1D115A or D150A		D115A–D150A	1	LAD9150RFB1
Retrofit plate for replacing LC2D115 or D150 with LC1D115A or D150A		D115A–D150A	1	LAD9150RFB2
Retrofit terminals for connection to upstream and downstream busbars		LC1D1156 or D1506 to LC1D115A6 or D150A6	1	LAD9150RFT
35 mm DIN Rail — 2 m		LC1D09–D80	10	AM1DP200

TeSys Deca contactors: page 17-10 and TeSys™ Deca Reversing Contactors, page 17-12
 TeSys Deca overload relay accessories: TeSys Deca Overload Relay Accessories, page 17-25
 TeSys Deca contactor accessories: TeSys™ Deca and F Auxiliary Contacts, Time Delay, Mechanical Latch, page 17-17
 TeSys Deca replacement coils: page 17-39
 TeSys Deca dimensions: page 17-43 to page 17-54
 TeSys F contactors: page 17-15
 TeSys F replacement coils: Table 17.110 TeSys™ F—AC Coils (For LC1F115, F150, F185, F225, F265, F330, F400, F500, F630, F780, F800, and F1400–F2100), page 17-39

[18] For additional accessory and replacement part options, see Catalog MKTED210011EN. Check with local sales office for availability.

Replacement Control Module

- Wide band electronic coils
- Accessible for quick and easy replacement

Table 17.48: Replacement Control Module

For contactors		Operating Voltage Vac (50/60 Hz or DC control input)			
		24–60 Vac	48–130 Vac	100–250 Vac	200–500 Vac
3-pole	LC1D115A–D150A	LX1D83BNE	LX1D83EHE	LX1D83KUE	LX1D83LSE
4-pole	LC1DT200A	LX1D84BNE	LX1D84EHE	LX1D84KUE	LX1D84LSE

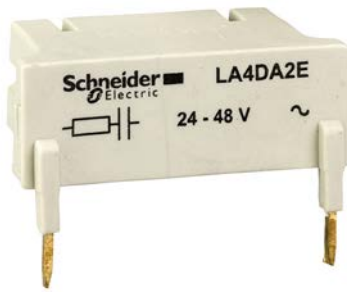
RC and Varistor Coil Suppressors

RC Coil Suppressor

- Limitation of transient voltage to 300% of nominal voltage maximum.
- Oscillating frequency limited to 400 Hz maximum. Slight increase in drop-out time (1.2–2 times normal).

Table 17.49: Resistor/Capacitor Circuit (RC) for Reduction of Electrical Noise in AC Contactor Coils

Installed by	Mounting on	Operating Voltage 50/60 Hz	Catalog Number
Snapping into the cavity on the right side without tools [19]	LC•D09–D38 (3P), LC1DT20–DT40 (4P)	24–28 Vac	LAD4RCE
		50–127 Vac	LAD4RCG
		110–240 Vac	LAD4RCU
Snap-on mounting, and connection without tools to the contactor coil terminals	LC1D40A–65A (3P), LC1DT60A–DT80A (4P)	24–48 Vac	LAD4RC3E
		50–127 Vac	LAD4RC3G
		110–240 Vac	LAD4RC3U
		380–415 Vac	LAD4RC3N
Screw connection to the contactor coil terminals	LC•D80 (3P), LC1D80 (4P)	24–48 Vac	LA4DA2E
		50–127 Vac	LA4DA2G
		110–240 Vac	LA4DA2U
		380–415 Vac	LA4DA2N



LA4DA2E

Varistor Coil Suppressor [20]

- Limitation of transient voltage value to 200% of nominal voltage maximum.
- Maximum reduction of transient voltage peaks. Slight increase in drop-out time (1.1–1.5 times normal).

Table 17.50: Varistor (Peak Limiting) for Reduction of Electrical Noise in AC Contactor Coils

Installed by	Mounting on	Operating Voltage	Catalog Number
Snapping into the cavity on the right side without tools [19]	LC•D09–D38 (3P), LC1DT20–DT40 (4P)	24–48 Vac	LAD4VE
		110–250 Vac	LAD4VU
Snap-on mounting, and connection without tools to the contactor coil terminals	LC1D40A–D65A (3P), LC1DT60A–DT80A (4P)	24–48 Vac/Vdc	LAD4V3E
		110–250 Vac/Vdc	LAD4V3U
Screw connection to the contactor coil terminals	LC•D80 (3P), LC1D80 (4P)	24–48 Vac	LA4DE2E
		110–250 Vac	LA4DE2U
Screw connection to the contactor coil terminals	LC•D80–D95 (3P), LC1D80 (4P)	24–48 Vdc	LA4DE3E
		110–250 Vdc	LA4DE3U

Diode Coil Suppressor

- No overvoltage or oscillating frequency.
- Polarized component. Increased drop-out time (6–10 times normal).

Table 17.51: Diode for Reduction of Electrical Noise in DC Contactor Coils

Installed on the upper part by	Mounting on	Operating Voltage, DC	Catalog Number
Snap-on mounting and connection w/o tools to the contactor coil terminals	LC•D09 to D38 (3P), LC1DT20 to DT40 (4P)	24–250 Vdc	LAD4DDL
Clip-on front mounting	LC•D40A to D65A (3P), LC1DT60A to DT80A (4P)	24–250 Vdc	LAD4D3U
Screw connection of wire to the contactor coil terminals	LC•D80 to D95 (3P), LC1D80 (4P)	24–250 Vdc	LA4DC3U



LAD4DDL

[19] Installing the suppressor into the cavity makes the electrical connection. Overall width of the contactor remains the same.

[20] For additional accessory and replacement part options, see Catalog MKTED210011EN. Check with local sales office for availability.

Bidirectional Diode Coil Suppressor

- Protection provided by limiting the transient voltage to 2 Uc max.
- Maximum reduction of transient voltage peaks

Table 17.52: Bidirectional Peak Limiting Diode^[21]

Installed by	Mounting on	Operating Voltage		Catalog Number
		Vac (50/60 Hz)	Vdc	
Snapping into the cavity on the right side of the contactor ^[22]	LC•D09–D38 (3P) ^[23]	24	—	LAD4TB
	LC1DT20–DT40 (4P)	—	24	LAD4TBDL
Clip-on front mounting and connection without tools to the contactor coil terminals ^[23]	LC•D40A–D65A (3P), LC1DT60A–DT80A (4P)	12–24	12–24	LAD4T3B
Screw mounting ^[24]	LC•D80–D95 (3P), LC1D80 (4P)	—	24	LA4DB3B



LAD4T3B



LAD4BBVE



LA4DFB



LAD9ET1S



LADN22S



LU9ET1S

Table 17.53: Cabling Accessories^[21]

Usage	Mounting on	Operating Voltage 50/60 Hz		Catalog Number
		Without coil suppression	With coil suppression (varistor)	
For adapting existing wiring to a new product or for use with top-mounting accessory.	LC1D09–D38	24–48 Vac	—	LAD4BB
		50–127 Vac	—	LAD4BBVE
For adapting existing wiring to a new product or for use with top-mounting accessory	LC1D40A–D65A	24–48 Vac	—	LAD4BBVG
		50–127 Vac	—	LAD4BB3

TeSys Deca contactors: TeSys™ Deca Non-Reversing Contactors, page 17-10, TeSys™ Deca Reversing Contactors, page 17-12
 TeSys Deca contactor accessories: TeSys™ Deca and F Auxiliary Contacts, Time Delay, Mechanical Latch, page 17-17
 TeSys Deca overload relay accessories: TeSys Deca Overload Relay Accessories, page 17-25
 TeSys Deca replacement coils and parts: page 17-39
 TeSys Deca dimensions: page 17-43 to TeSys™ Deca Thermal Overload Relay Dimensions, page 17-54

TeSys™ Deca Electronic Timers and Interface Modules

The following accessories require use of cabling accessories (LAD4BB●●) for proper mounting. See page 17-20 for illustration.

Table 17.54: Electronic Serial Timer Modules

Type	Operational Voltage ^[25]		Time Delay	Catalog Number
	24–250 Vac	100–250 Vac		
On-delay	LC1D09–D65A	LC1D80–D150A	0.1–2 s	LA4DT0U
			1.5–30 s	LA4DT2U
			25–500 s	LA4DT4U

Table 17.55: Interface Modules^[21]

Interface Type ^[26]	Operational Voltage		Input Voltage	Catalog Number
	24–250 Vac	100–250 Vac		
Relay	LC1D09–D150	—	24 Vdc	LA4DFB
Solid State	LC1D09–D65A	LC1D80–D115	24 Vdc	LA4DWB

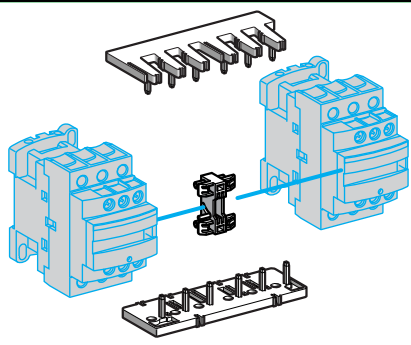
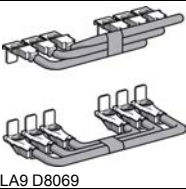
Table 17.56: TeSys™ Safety-Chain Identification System

Description	Compatibility	Package Qty	Catalog Number
Red retrofit contactor safety cover	LC1D09–D65A, CAD32, CAD50	10	LAD9ET1S
	LC1D80	1	LAD9ET3S
	LC1D115A, D150A, LC1DT200A	1	LAD9ETSS
Red auxiliary contact block, 2 N.O. + 2 N.C.	LC1D09–D150, CAD32, CAD50	1	LADN22S

[21] For additional voltage and accessory options, see Catalog MKTED210011EN. Check with local sales office for availability.
 [22] Installing the suppressor into the cavity makes the electrical connection. Overall width of the contactor remains the same.
 [23] For LC•D09–LC•D65A with DC or low consumption DC coils, 3–pole contactors are fitted with built-in bidirectional diode suppression as standard.
 [24] Mounting at the top of the contactor on coil terminals A1 and A2.
 [25] For 24 V operation, the contactor must be fitted with a 21 V coil: coil voltage code Z5 for 50 Hz; Z6 for 60 Hz; and ZD for DC.
 [26] Adapter required for D09–D65A, see .

TeSys™ Deca Reversing Contactors

Table 17.57: Components and Kits for Reversing Assemblies^[27]

	Description		For contactor (2 identical contactors)	Part Number
Kits for Assembly of Reversing Contactors				
 <p>LAD 9R1</p>	Kit comprising of: <ul style="list-style-type: none"> • Mechanical interlock • Electrical wiring links • Power wiring links 		LC1 D09 to D38	LAD9R1V
			LC1 DT20 to DT40	LADT9R1V
 <p>LA9 D8069</p>	Kit comprising of: <ul style="list-style-type: none"> • Mechanical interlock • Power wiring links 		LC1 D09 to D38	LAD9R1
			LC1 D40A to D65A	LAD9R3
	For Contactor (2 Identical Contactors)	Mechanical Interlock	Mechanical Interlock with Integral Electrical Interlocking	Reversing Power Links (Parallel and Reverser)
Components for Assembly of Reversing Contactors				
	LC1 D40A to D65A	LAD4CM	—	LA9D65A69
	LC1 D80 to D95 (AC coil)	LA9D50978	LA9D4002	LA9D8069
	LC1 D80 to D95 (DC coil)	LA9D80978	LA9D8002	LA9D8069
	LC1D115A to D150A	LAD5CM	—	LAD9150369

TeSys Deca contactors: [TeSys™ Deca Non-Reversing Contactors, page 17-10](#) and [TeSys™ Deca Reversing Contactors, page 17-12](#)
 TeSys Deca contactor accessories: [TeSys™ Deca and F Auxiliary Contacts, Time Delay, Mechanical Latch, page 17-17](#)
 TeSys Deca replacement coils and parts: [page 17-39](#)
 TeSys Deca dimensions: [page 17-43](#) to [page 17-54](#)

New!

Deca Flexible Terminal Extensions

Flexible connecting bars to connect TeSys™ Deca contactors with Overload Relays and MCCBs mounted in the same plane and orientation. The bars help to get a quick and easy connection between contactor and overload or contactor and MCCB while saving installation time.






Table 17.58: Deca Flexible Terminal Extensions 3-Pole

For Contactor	To connect with	Quantity Set of	Catalog Number
LC1D115A...LC1D150A	PowerPact H-J Frame 3-pole, GV5PB	3	LAD91503111
LC1D115A...LC1D150A	LR9G115...LR9G225	3	LAD91503211

[27] For additional reversing accessory options, see Catalog [MKTED210011EN](#). Check with local sales office for availability.

Lugs and Mounting

Table 17.59: Lugs and Mounting for TeSys™ Giga Contactors and Overload Relays^[28]

							
Reference	DZ2FG1 (includes 1 lug, (6 required))	DZ2FH1 (includes 1 lug, (6 required))		DZ2FJ1 (includes 1 lug, (6 required))	DZ2FK1 (includes 1 lug, (6 required))		DZ2FL6 (includes 6 lugs)
Rating	200	275		400	630		800
Wire range	6 to 3/0 AWG	6 to 300 MCM		4 to 500 MCM	2 to 600 MCM		2 to 600 MCM
For use with LC1	G115, G225	G115, G225	G265, G330, G400, G500	G265, G330, G400, G500	G265, G330, G400, G500	G630, G800	G630, G800
For use with LR9	G115, G225	G115, G225	G500	G500	G500	G630	G630
Straight terminal extension mounting kit	LA9G3601, LA9G4601	LA9G3601, LA9G4601	LA9G3602, LA9G4602	N/A	N/A	N/A	N/A
Spreader bars mounting kit	LA9G3611, LA9G4611, LA9G3711, LA9G4711	LA9G3611, LA9G4611, LA9G3711, LA9G4711	LA9G3612, LA9G4612, LA9G3712, LA9G4712	LA9G3612, LA9G4612, LA9G3712, LA9G4712	LA9G3612, LA9G4612, LA9G3712, LA9G4712	LA9G3714, LA9G4714	LA9G3714, LA9G4714

NOTE: A compatible mounting kit is required.

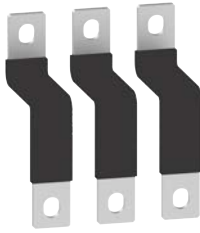
					
Reference	AL400L61K3 (includes 3 lugs)		AL600LS52K3 (includes 3 lugs)	AI800M23K (includes 3 lugs)	AI800P6K (includes 3 lugs)
Rating (A)	400		400/600	800	800
Wire range	2 to 500 MCM (AL) 2 to 600 MCM (CU)		2/0 to 500 MCM (AL or CU)	3/0 to 500 MCM (AL or CU)	3/0 to 600 MCM (AL or CU)
For use with LC1	G115, G225	G265, G330, G400, G500	G265, G330, G400, G500	G630, G800	G630, G800
For use with LR9	G115, G225	G500	G500	G630	G630
Straight terminal extension mounting kit	LA9G3601, LA9G4601	N/A	N/A	N/A	N/A
Spreader bars mounting kit	LA9G3711, LA9G4711	LA9G3612, LA9G4612, LA9G3712, LA9G4712	LA9G3612, LA9G4612, LA9G3712, LA9G4712	LA9G3714, LA9G4714	LA9G3714, LA9G4714

NOTE: A compatible mounting kit is required.



[28] See [MKTED210011EN](#) for additional accessories.

17 CONTACTORS AND STARTERS-IEC



LA9G3111

Giga Flexible Terminal Extensions

Flexible connecting bars to connect TeSys Giga High power contactors with MCCBs mounted in the same plane and orientation. These bars can be used along with Advanced or Standard version contactors. They help to get a quick and easy connection between contactor and MCCB with saving in installation time.

Table 17.60: Giga Flexible Terminal Extensions for MCCBs

Description	Compatible with Contactors	To connect with PowerPac™ MCCB	Quantity Set of	Reference
Flexible terminal extensions 3-pole	LC1G115...LC1G225	H-J Frame 3P, GV5PB	3	LA9G3111
	LC1G265...LC1G500	L Frame 3P, GV6PB	3	LA9G3112
	LC1G630...LC1G800	P Frame 3P	3	LA9G3113

Auxiliary Contact Modules

Auxiliary contacts give an indication of the contactor status. They can be used for remote visual signaling, alarming, electrical locking, relay activation, and others.

Each contactor is equipped with 1 NO (normally open) and 1 NC (normally closed) auxiliary contact block as standard.

Mechanically linked mirror contacts

The NC (normally closed) contact of the auxiliary contact block is a mirror contact in conformity to IEC 60947–5–1. It is mechanically linked to reliably represent the state of the main power contacts and wherever auxiliary contact state reliability is essential.

The NC contact of the auxiliary contact cannot be closed at the same time as a normally open power contact.

Contact module compatibility

TeSys™ Giga auxiliary contact module is compatible with a range of TeSys Giga contactors. Each TeSys Giga contactor can be equipped with up to four auxiliary contact modules.



LAG8N113

Table 17.61: Electrical Characteristics

Characteristics	
Rated thermal current (A)	10
Minimum load	1 mA at 17 V DC
Contact reliability	Failure rate <10

Type of connections:

- Push-In

Table 17.62: Auxiliary Contact Modules

Description	Terminal type	Types of contacts	Sold in lots of	Reference
Auxiliary contact module	Push-In	1 NO + 1 NC	1	LAG8N113P ^[29]
		2 NO	1	LAG8N203P

Connection Kits and Mechanical Interlock

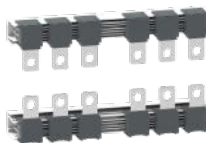
Table 17.63: Star-Delta (Wye Delta) Connection Kits



Description	Suitable for:	For Line/Delta contactor	+ Star contactor	Reference
Connection kit: bars for Line/Delta Star contactor assembly	3-pole	LC1G115/LC1G225	LC1G115/LC1G225	LA9GQQ330
		LC1G265/LC1G500	LC1G115/LC1G225	LA9GSS330
		LC1G265/LC1G500	LC1G265/LC1G500	LA9GSS330
		LC1G630/LC1G800	LC1G265/LC1G500	LA9GTS330
	3-pole (with cable memory kit)	LC1G630/LC1G800	LC1G630/LC1G800	LA9GTT330
		LC1G265/LC1G500	LC1G115/LC1G225	LA9GSS331
		LC1G630/LC1G800	LC1G265/LC1G500	LA9GTS331

NOTE: RE17RMMWS timer to be used for Star-Delta starter application.

Table 17.64: Reverser Connection Kits



Description	Suitable for:	Compatible with contactors	Reference
Connection kit: bars for reverser contactor assembly	3-pole	LC1G115/LC1G225	LA9G3760
		LC1G265/LC1G500	LA9G3761
		LC1G630/LC1G800	LA9G3762

Table 17.65: Changeover Connection Kits

Description	Suitable for:	Compatible with contactors	Reference
Connection kit: bars for changeover contactor assembly	3-pole	LC1G115/LC1G225	LA9G3750
		LC1G265/LC1G500	LA9G3751
		LC1G630/LC1G800	LA9G3752
	4-pole	LC1G115/LC1G225	LA9G4750
		LC1G265/LC1G500	LA9G4751
		LC1G630/LC1G800	LA9G4752

[29] Always supplied with TeSys™ Giga LC1G contactors (fitted to the right side lateral face).



Table 17.66: Mechanical Interlock

Description	Reference	
Mechanical Interlock (between the same frame sizes)	LC1G115 to 225 (3-Pole and 4-Pole)	LA9G970
	LC1G265 to 500 (3-Pole and 4-Pole)	
	LC1G630 to 800 (3-Pole)	LA9G973
Mechanical Interlock (between different frame sizes)	LC1G265 to 500 and LC1G115 to 225 (3-Pole and 4-Pole)	LA9G971
	LC1G630 to 800 and LC1G265 to 500 (3-Pole)	LA9G972

Retrofit Bases

- Suitable for 3-pole contactors
- Retrofit bases to replace similar ratings of TeSys™ F contactors with TeSys™ Giga contactors
- Enables quick and simple replacement in the existing installation
- Two references to cover ranges from LC1F115 to F500

TeSys™ Giga retrofit bases are designed for integrating new TeSys™ Giga contactors into installations using TeSys F™ contactors. The retrofit bases help reduce replacement and reinstallation time when you upgrade your system with the new range of contactors. The retrofit bases come in two frame sizes.



LA9GRFB1



LA9GRFB2

Table 17.67: Retrofit Bases

Description	Reference	
Accessory used to replace TeSys™	LC1F115–225 replaced by LC1G115–225	LA9GRFB1
	LC1F265–500 replaced by LC1G265–500	LA9GRFB2
	LC1F630–800 replaced by LC1G630–800	LA9GRFB3 ^[30]

Remote Wear Diagnostic (RWD) Module

Table 17.68: Remote Wear Diagnostic (RWD) Module

Description	Reference
Remote wear diagnostic module for TeSys™ Giga contactor - 1 NO	LA9GRD10 ^[31]
Remote wear diagnostic module for TeSys™ Giga contactor - 1 NC	LA9GRD01



LA9DRD10

TeSys™ F Contactors

Table 17.69: Lugs for TeSys F Contactors

Contactor Type LC1	Cable Size AWG Range	Lug Kit ^[32] (Quantity of 6)	Individual Lug (Quantity of 1)
F780	4 x 1/0 to 750 MCM	DZ2FX6	—

[30] Available 2Q 2022.

[31] Remote wear diagnostic (RWD) module can be installed and used only in the Advanced contactor version.

[32] For additional options and accessories, see [MKTED210011EN](#).

TeSys Deca Overload Relay Accessories

Table 17.70: Mounting Kits and Plates^[1]

Description	For use with overload relays:	Cat. No.
Separate mounting kits for mounting to 35 mm DIN rail or for panel mounting with screws	LRD01–35 and LR3D01–35	LAD7B10
	LRD01–35 and LRD01–35 for ring tongue terminals	LAD7B106
	LRD04L–32L, LR3D04L–32L, and LR9D01–32	LAD7B205
	LRD3•••, LR3D3•••, LR2D35••	LAD96560



LA7D901



LA7D03

Table 17.71: Accessories

Description	For use with	Standard Package	Catalog Number
Prewiring kit allows direct connection of the N.C. contact of relay LRD01–D32 or LR3D01–D32 to the contactor	LC1D09 to D18	10	LAD7C1
	LC1D25 to D38	10	LAD7C2
Remote stop/tripping or electrical reset ^[2]	All relays except LRD01–D32	1	LAD703 ^[3]
Reset by flexible cable 500 mm (19.6 in.)	LRD01–D32, LR3D3, LR3D3	1	LAD7305

Table 17.72: Control Circuit Voltages for LA7D03 and LAD703

Volts	24	110
AC 50/60 Hz	B	F
DC	B	F

TeSys™ Giga Overload Relay Accessories

Table 17.73: Remote Reset Control Device

Description	Sold in lots of:	Reference
Remote Reset control function by flexible cable (length = 0.5m)	1	LAD7305



LAD7305

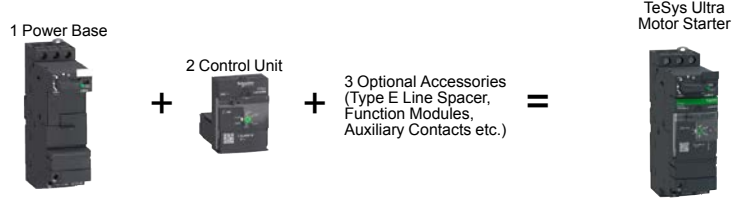
[1] When using mounting plates, separate mounting kits are also required.

[2] The time that the LA7D03 can remain energized depends on its rest time; 1s pulse duration with 29s rest time; 3s pulse duration with 90s rest time; maximum pulse duration of 5s with rest time of 300s.

[3] Part number to be completed by adding coil voltage code, (for example, LAD703F).

TeSys™ Ultra Motor Starter

The TeSys Ultra motor starter is integrated, making it simple to choose and install. It consists of a control unit snapped in a power base. TeSys Ultra can be configured to fit specific applications as well. Optional accessories include a reverser, a current limiter, predictive maintenance options, and communication options. For detailed information about TeSys Ultra, visit our website.



Selecting TeSys™ Ultra Motor Starters in Three Steps

Table 17.74: Step 1. Select Power Base (Only two different bases up to 32 A)



Control Connection	Max. Current (A)	Maximum Horsepower Ratings						Self-Protected Starter Base
		Three-Phase			Single-Phase			
		200 V	230 V	460 V	575 V	115 V	230 V	
With non-removable screw terminations	12	3	3	7.5	10	0.5	2	LUB12
	32	10	10	20	25	2	5	LUB32
Without screw terminations	12	3	3	7.5	10	0.5	2	LUB120 [1]
	32	10	10	20	25	2	5	LUB320 [1]

Table 17.75: Step 2. Select Control Unit [2]

Setting Range (A)	Standard 3-phase Class 10 trip [3]	Advanced 3-phase Class 10 trip [3]	Advanced single-phase Class 10 trip [3]	Advanced 3-phase Class 20 trip [3]
0.15–0.6	LUCAX6●●	LUCBX6●●	LUCCX6●●	LUCDX6●●
0.3–1.4	LUCA1X●●	LUCB1X●●	LUCC1X●●	LUCD1X●●
1.25–5.0	LUCA05●●	LUCB05●●	LUCC05●●	LUCD05●●
3–12	LUCA12●●	LUCB12●●	LUCC12●●	LUCD12●●
4.5–18	LUCA18●●	LUCB18●●	LUCC18●●	LUCD18●●
8–32	LUCA32●●	LUCB32●●	LUCC32●●	LUCD32●●

Table 17.76: Voltage Codes

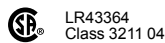
Volts	24	110–240
DC	BL [4]	—
AC	B	—
DC or AC	—	FU

Table 17.77: Step 3. Select Auxiliary Contacts (optional)

Terminals	Contact Indicates	Contact Normal Status	Contact State for Each Mode [5]							Catalog Number
			Off	Ready	Run	Short Circuit Trip	Overload Trip (Manual Reset)	Overload Trip (Remote/Auto Reset) [6]		
Auxiliary Contact Blocks										
Screw	Ready condition	N.O.	O	I	I	O	O	I	I	LUA1C11
	Fault condition	N.C.	I	I	I	O	O	I	I	LUA1C20
Screw	Ready condition	N.O.	O	I	I	O	O	I	I	LUA1C20
	Fault condition	N.O.	O	O	O	I	I	O	O	LUA1C20
Auxiliary Contact Function Modules										
Screw	Pole state	2 N.O.	O	O	I	O	O	O	O	LUFN20
	Pole state	1 N.O. and 1 N.C.	O I	O I	I O	O I	O I	O I	O I	LUFN11
Screw	Pole state	2 N.C.	1	I	O	I	I	I	I	LUFN02

Table 17.78: Accessories

Accessory	Quick Description	For details & selection, see:
Current limiter	Increases the breaking capacity to 130 kA @ 460 V and to 65 kA @ 575 V	page 17-28
Reverser	Stacked or side mounted (LU6MB0●● only)	page 17-28
Line phase barrier	Required for use as a self-protected combination starter (UL 508 Type E)	page 17-28
Multifunction control unit	Has functions for monitoring and predictive maintenance	page 17-28
Function modules	Fault differentiation, thermal overload, motor load indication	page 17-28
Communication modules	Integrates into existing networks, major protocols are available	page 17-29
Soft starter + TeSys Ultra	Use Altistart U01soft starter with TeSys Ultra	page 17-38
Powerbus	Use TeSys Ultra with a prewired system	page 17-29
Configuration and connection accessories	SoMove software, bus bar, external handle	page 17-29



Accessories: Power Base and Plug-in Accessories, page 17-27 to page 17-29
 Dimensions: TeSys™ Ultra Starter Dimensions, page 17-59
 Overload Relays: page 17-9
 Accessories: page 17-16
 Dimensions: page 17-58

[1] For use with reversing modules or communication modules with prewired connector.
 [2] The control unit contains solid-state overload relay and control power source for TeSys Ultra. For more details on the different control units, their functions, and placement on the power base, see Power Base and Plug-in Accessories, page 17-27.
 [3] Complete the catalog number by adding appropriate code from Table 17.76 (for example, LUCAX6FU).
 [4] DC voltage with range of 0.90 to 1.10 of nominal.
 [5] I indicates closed contact; O indicates open contact.
 [6] Requires multifunction or advanced control unit plus fault differentiation module LUFDA10.

17 CONTACTORS AND STARTERS-IEC

TeSys™ Reversing Starters

Table 17.80: Power Base with Reversing Unit assembled under the base



Reverser Unit Assembled under the Power Base

Control Connection	Max. Current (A)	Maximum Horsepower Ratings						Self-Protected Starter Base Catalog Number
		Three-Phase				Single-Phase		
		200 V	230 V	460 V	575 V	115 V	230 V	
With screw terminations	12	3	3	7.5	10	1.5	2	LU2B12 ^[7]
	32	10	10	20	25	2	5	LU2B32 ^[7]

Table 17.81: Select Control Unit Options^{[8][9]}

Setting Range (A)	Standard Three-Phase Class 10 trip ^[10]	Advanced Three-Phase Class 10 trip ^[10]	Advanced Single-Phase Class 10 trip ^[10]	Advanced Three-Phase Class 20 trip ^[10]
0.15–0.6	LUCAX6●●	LUCBX6●●	LUCX6●●	LUCDX6●●
0.3–1.4	LUCA1X●●	LUCB1X●●	LUCX1X●●	LUCD1X●●
1.25–5.0	LUCA05●●	LUCB05●●	LUCX05●●	LUCD05●●
3–12	LUCA12●●	LUCB12●●	LUCX12●●	LUCD12●●
4.5–18	LUCA18●●	LUCB18●●	LUCX18●●	LUCD18●●
8–32	LUCA32●●	LUCB32●●	LUCX32●●	LUCD32●●

Table 17.82: Voltage Codes

Volts	24	110–240
DC	BL ^{[11][12]}	—
AC	B	—
DC or AC	—	FU

Table 17.83: Reversing Modules for Field Addition

Mounting	Catalog No.	Wiring Adapter	
Beneath	LU2MB0	LU9MR1C	Note: For LU2MB0 and LU6MB0, voltage code required; must match control unit.
Beside	LU6MB0	LU9MR1	

TeSys™ Ultra Accessories

Table 17.84: Current Limiter^{[13][14]}

Accessory	Application	Technical Data	Mounting	Cat. No.
Current limiter/isolator	Additional current limiting aspects for the starter	130 kA at 460 V 65 kA at 575 V	Direct mounting to LUB● and LU2B●	LUALB1
Limiter cartridge	Replacement cartridge for LUALB1	130 kA at 460 V 65 kA at 575 V	—	LUALF1

Table 17.85: Function Modules^{[13][15]}

Module	Description	For use with:	Operation Requirements	Catalog Number
Fault differentiation: with manual reset (thermal overload) with auto reset	Provides indication between an overload trip and a short circuit trip.	Advanced control units only	24–250 Vac/Vdc (power from control unit)	LUFDA10
Thermal overload pre-alarm	Signals when the motor current reaches 1.05 of the full load setting on the control unit.	Advanced control units only	24–250 Vac/Vdc (power from control unit)	LUFW10
Motor load indication	Provides a signal proportional to the average currents in the three phases divided by the full load current setting of the control unit. The output corresponds to a load status of 0–2 times the full load setting of the control unit.	Advanced or multi-function control units	4–20 mA (requires separate 24 Vdc power supply)	LUFV2
Parallel wiring	Provides a convenient way to reduce control wiring and allow for connecting starters to a communications network by providing 24 Vdc for the starters.	Advanced or multi-function control units (24 Vdc only) and LU9BN11C or LU9MRC prewired connector	LU9G02 splitter box and PLC network	LUF00



Alarm Differentiation



Parallel Wiring



Motor Load Indicator

[7] Voltage code required.

[8] The control unit contains solid-state overload relay and control power source for TeSys Ultra. For more details on the different control units, their functions, and placement on the power base see *Control Units and Functions*, page 17-27.

[9] Control units for 4.5–18 and 8–32 can be used **only** with 32 A rated power bases (LUB32, LUB320, and LU2B32).

[10] Complete the catalog number by adding the appropriate code from (for example LUCAX6FU).

[11] DC voltage with range of 0.90 to 1.10 of nominal.

[12] Voltage code to use for a power base with a communication module.

[13] See page 17-27 for placement on the power base.

[14] Increases the breaking capacity of the motor starter.

[15] Offers customization for specific application requirements.

Accessories

Table 17.86: Communication Modules [16][17]

Communication modules allow the TeSys Ultra starter to be connected directly to the network. They are for use with advanced or multi-function control units (24 Vdc only) and require a separate 24 Vdc power supply.



Module	Prewired Connector	Catalog Number
Modbus™ Communication	LU9BN11C or LU9MRC	LULC033
CANopen Communication	LU9BN11L or LU9MRL	LULC08
Profibus Communication	LU9BN11L or LU9MRL	LULC07
DeviceNet™ Communication	LU9BN11L or LU9MRL	LULC09

Table 17.87: TeSys™ Ultra Cabling Accessories—Power Bus Bars

Description	Application	Pitch	Standard Pack	Catalog Number
3-Pole, 63 A Bus Bar	For feeding 2 TeSys Ultra controllers	45	1	GV2G245
		54	1	GV2G254
		72	1	GV2G272
	For feeding 3 TeSys Ultra controllers	45	1	GV2G345
		54	1	GV2G354
	For feeding 4 TeSys Ultra controllers	45	1	GV2G445
		54	1	GV2G454
		72	1	GV2G472
	For feeding 5 TeSys Ultra controllers	54	1	GV2G554
	Terminal blocks	Top feed for use with bus bars	—	1

Table 17.88: Control Circuit Accessories [18] for placement on power base.

Accessory	Application	Technical Data	Mounting	Catalog Number
Control circuit contact block	Switches control circuit power via LUB● handle (NEC430-74 compliance)	5 A at 600 Vac 5 A at 250 Vdc	Side mounting to LUB● and LU2B● only	LUA8E20
Through-the-door operating mechanism (without trip indication)	Use to enclose TeSys LUB● only.	NEMA 1, 12, 3R, 4, 4X Red/Yellow	Kit	LU9APN44
Control circuit filters	Use with electronic or triac output controllers	Up to 150 Vac max.	Directly to coil terminals	Non-reversing LUA4F11 Reversing LUA4F12
Pre-wired connector	Central control when using communication modules	See Table 17.86 for usage.	Lower power terminals to communication module.	Non-reversing LU9BN11C LU9BN11L Reversing LU9MRL

[16] See page 17-27 for placement on the power base.

[17] Communication capabilities can be integrated into existing automation architecture via a variety of protocols.

[18] See Power Base and Plug-in Accessories, page 17-27

New!

TeSys™ Power Motor Circuit Breakers

The TeSys™ Power Motor Circuit Breakers family of products provide efficient motor control and protection solutions up to 520 amps. There are a variety of UL approved applications that enable specified configurations for use as a manual starter, motor disconnect, independent branch short-circuit protection, motor overload protection, or for use with a motor controller such as a contactor to build a complete motor control circuit. Certain configurations are approved for group motor applications as well. Refer to the following selection tables for application information, as well as the Motor Control Solutions for the North American Market data bulletin (8536DB0901) for additional information.

The GV2P (up to 32 amps) and GV3P (up to 65 amps) is rated to UL 60947-4-1 as a motor starter, and also possess Type E ratings for manual switching applications. These devices can be combined with a specified TeSys Deca contactor as a Type F combination motor controller (with specified line side spacer/accessories), with SCCR up to 100kA.

The GV2ME (up to 32 amps) combined with a specified TeSys Deca contactor is ideal for group motor applications.

The TeSys island load management starters are approved for use with TeSys GV2P and GV3P devices as a group motor arrangement. See selection table for application specifics.

The GV4PB, GV5PB, and GV6PB are motor protective circuit breakers rated to UL 489, are approved as branch circuit protection (no line side spacer required) and include motor overload protection. A full motor branch circuit is completed with the addition of a contactor, providing a compact two-component solution up to 520 motor full load amps. Pre-trip alarm accessories can be applied to these units to help anticipate and resolve issues, minimizing operator or maintenance interaction.



GV2P





GV4PB

17

CONTACTORS AND STARTERS-IEC

Table 17.89: GV2, GV3 Manual Motor Protectors (UL 60947-4-1)

	Thermal Setting (A)	Maximum Horsepower Ratings								GV2ME push button ^[19] Catalog Number	GV2/3P rotary handle Catalog Number
		Single-Phase			Three-Phase						
		115 V	200 V	230 V	115 V	200 V	230 V	460 V	575 V		
 GV2P	0.10–0.16	—	—	—	—	—	—	—	—	GV2ME01	GV2P01
	0.16–0.25	—	—	—	—	—	—	—	—	GV2ME02	GV2P02
	0.25–0.40	—	—	—	—	—	—	—	—	GV2ME03	GV2P03
	0.40–0.63	—	—	—	—	—	—	—	—	GV2ME04	GV2P04
	0.63–1	—	—	—	—	—	—	—	1/2	GV2ME05	GV2P05
	1–1.6	—	—	1/10	—	—	—	3/4	3/4	GV2ME06	GV2P06
	1.6–2.5	—	1/6	1/6	—	1/2	1/2	1	1.5	GV2ME07	GV2P07
	2.5–4	1/8	1/4	1/3	—	3/4	3/4	2	3	GV2ME08	GV2P08
	4–6.3	1/4	1/2	1/2	3/4	1	1.5	3	5	GV2ME10	GV2P10
	6–10	1/2	1	1.5	1	2	3	5	7.5	GV2ME14	GV2P14
	9–14	3/4	2	2	2	3	3	10	10	GV2ME16	GV2P16
	13–18	1	2	3	2	5	5	10	15	GV2ME20	GV2P20
	17–23	1.5	3	3	3	5	7.5	15	20	GV2ME21	GV2P21
	20–25	2	—	—	—	7.5	7.5	15	20	GV2ME22	GV2P22
	24–32	2	5	5	5	7.5	10	20	25	GV2ME32	GV2P32
	 GV2ME	9–13	1/2	—	1.5	—	3	3	7.5	10	—
12–18		3/4	—	2	—	3	5	7.5	10	—	GV3P18
17–25		1.5	—	3	—	5	7.5	15	20	—	GV3P25
23–32		2	—	3	—	7.5	7.5	20	25	—	GV3P32
30–40		3	—	5	—	10	10	25	30	—	GV3P40
37–50		3	—	7.5	—	10	10	30	40	—	GV3P50
48–65		3	—	10	—	15	15	40	50	—	GV3P65
62–73		5	—	15	—	20	25	50	60	—	GV3P73

[19] For snap-in terminals add an **A** to the catalog number (for example, GV2ME01A). For ring terminals, add **6**.



GV4PB



GV5PB

Table 17.90: GV4, GV5, GV6 UL 489 Motor Protective Circuit Breakers

Motor FLA Dial Range	Interrupting Rating: 240 V ... 35 kA 480Y/277 V ... 18 kA 600Y/347 V ... 14 kA	Interrupting Rating: 240 V ... 65 kA 480Y/277 V ... 35 kA 600Y/347 V ... 18 kA	Interrupting Rating: 240 V ... 100 kA 480Y/277 V ... 65 kA 600Y/347 V ... 25 kA
0.8 ... 2	—	GV4PB02N	GV4PB02S
1.4 ... 3.5	—	GV4PB03N	GV4PB03S
2.9 ... 7	—	GV4PB07N	GV4PB07S
5 ... 12.5	—	GV4PB12N	GV4PB12S
10 ... 25	GV4PB25B	GV4PB25N	GV4PB25S
20 ... 50	GV4PB50B	GV4PB50N	GV4PB50S
40 ... 80	GV4PB80B	GV4PB80N	GV4PB80S
65 ... 115	GV4PB115B	GV4PB115N	GV4PB115S
58 ... 130	—	GV5PB150N	GV5PB150S
114 ... 217	—	GV5PB250N	GV5PB250S
190 ... 348	—	GV6PB400N	GV6PB400S
312 ... 520	—	GV6PB600N	GV6PB600S

Refer to Catalog MKTED210011EN and 8536CT1901

TeSys™ BV4 Motor Circuit Protection Selection

Providing UL508 type D combination ratings in accordance to current NEC installation requirements, the TeSys BV4 motor circuit protector allows for compact motor protection in conjunction with both the TeSys and Square D™ NEMA product families for motor control. The BV4 is a magnetic only, UL489 Listed circuit protector rated up to 100kA short-circuit protect with adjustable instantaneous trip points and can be installed directly to a panel or standard DIN rail.

Motor Circuit Protectors must be applied per a listed combination motor controller rating as required by NEC and UL 508A. See UL.com/SCCR for combination ratings or contact local support for a tested combination appendix.



Table 17.91: TeSys™ BV4 Motor Circuit Breaker Selection

Frame	MCP Ampacity (In)	Adjustable Instantaneous Trip (Ii)	Protection Level	
			Standard Fault Cat. No.	High Fault Cat. No.
BV4	2	12-28	—	BV4T002J
	3.5	21-49	—	BV4T003J
	7	42-98	—	BV4T007J
	13	53-195	BV4T013D	BV4T013J
	25	110-360	BV4T025D	BV4T025J
	50	176-650	—	BV4T050J
	80	320-1150	BV4T080D	BV4T080J
	115	600-1150	—	BV4T115J

TeSys™ Deca GV2 Accessories and Enclosures

Table 17.92: Mounting Accessories for GV2 + LC1 D09 to D38^[20]

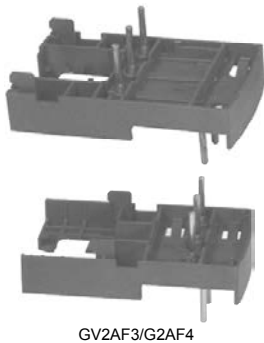
	Mount GV Directly on Single DIN Rail	Mount on Single DIN Rail (Using Mounting Hardware)	Mount GV and LC1D Contactor on Independent DIN Rails	Mount on 2 DIN Rails (Using Mounting Hardware)
Electrical Interconnect	GV2AF3	GK2AF01	GV1G02	GV2AF4
Mounting Hardware	—	—	—	LAD311

Table 17.93: Mounting Accessories for GV2^[20]

Description	Application	Standard Pack ^[21]	Catalog Number
Adapter plate	For screw mounting of GV2M	10	GV2AF02
7.5 mm compensation plate	To allow mounting of GV2M and GV2P on a common bus bar	10	GV1F03

Table 17.94: Bus Bar Accessories for GV2

Description	Application	Pitch	Catalog Number
Incoming Terminal	Type E line spacer, for use with or without GV2G busbars	—	GV1G09
	Type E line spacer, not for use with or with GV2G busbars	—	GV2GH7
	Bottom Feed, for use with GV1L3 current limiter	—	GV2G05
3-Pole, 63 A Bus Bar	For feeding 2 GV2 starters	45	GV2G245
		54	GV2G254
		72	GV2G272
	For feeding 3 GV2 starters	45	GV2G345
		54	GV2G354
	For feeding 4 GV2 starters	45	GV2G445
54		GV2G454	
For feeding 5 GV2 starters	72	GV2G472	
	54	GV2G554	
Protective Cover	To cover unused bus bar outlets	—	GV1G10 ^[22]



GV2AF3/G2AF4

[20] Must order in multiples of 10.
[21] Orders must specify multiples of quantities listed.
[22] Must order in multiples of 5.

Table 17.95: GV2 Other Accessories

Description	Application	Standard Pack [23]	Catalog Number
Current limiter—GV2	Increases interrupt capacity when attached to GV2ME or GV2P	1	GV1L3
Through-the-door operating mechanism kits	NEMA 1, 12, Black with trip indication, for use with GV2P	1	GV2APN01
	NEMA 1, 12, Red/Yellow with trip indication, for use with GV2P	1	GV2APN02
	NEMA 3R, 4, 4X, Red/Yellow without trip indication, for use with GV2P	1	GV2APN04
Angle bracket	Operating mechanism support shaft for deep enclosures (≥ 250 mm), for use with GV2P	1	GVAPK11
Operating mechanism short shaft	One-piece short shaft for installing operating mechanisms in shallow enclosures, for use with GV2P, GV3P and TeSys Ultra	1	GVAPA2
Laser tool	Laser tool for installing through-the-door kits	1	GVAPL01

Table 17.96: GV2 Enclosures

Description	Listing	Mounting	Enclosure Rating	Max. Side Mounting Aux. Contacts		Catalog Number
				Left Side	Right Side	
Enclosures for GV2ME with or without accessories	CSA Listed. Not UL Listed.	Surface mounting	NEMA 1, IP41	1	1	GV2MC01
			NEMA 12/4, IP55	1	1	GV2MC02
		Flush mounting	NEMA 1, IP41	1	1	GV2MP01
			NEMA 12/4, IP55	1	1	GV2MP02
		Flush mounting, front face reduced	NEMA 1, IP41	0	1	GV2MP03
			NEMA 12/4, IP55	0	1	GV2MP04

Table 17.97: GV2 Enclosures Accessories

Description	Type	Standard Pack [24]	Catalog Number	
Padlocking device for GV2M (when padlocked, starter is automatically in Off position)	—	1	GV2V01	
Mushroom head stop push button (40 mm, red) [24]	Spring return	1	GV2K011	
	Latching	Turn to Release	1	GV2K031
	Latching / Padlockable Turn to Release		1	GV2K04
Sealing kit	For enclosures GV2MC01 and GV2MP01	10	GV2E01	

Voltage Trips

Table 17.98: Voltage Trips

Only one trip or fault signaling contact can be installed per GV2/GV3 device.				
Description	Characteristics	Voltage	Frequency	Cat. No. [25]
Voltage trips GV2 or GV3P	Undervoltage or Shunt trip (external mounting, 1 block right side only)	110–115 V	60 Hz	GVA•116
		220–240 V	60 Hz	GVA•226



GVAU116

Table 17.99: Voltage Trips—Technical Data (GV2AU, GV2AS)

Rated Voltage—660 Vac					
Model	Inrush	Sealed	Pick-Up Voltage	Drop-Out Voltage	Operating Time [26]
GVAU	12 VA / 8 W	3.5 VA / 1.1 W	0.8–1.1	0.35–0.7	10–15 ms
GVAS	14 VA / 10.5 W	5 VA / 1.6 W	0.7–1.1	0.2–0.75	10–15 ms

[23] Orders must specify multiples of quantities listed.

[24] Supplied with IP55 sealing kit.

[25] To order an undervoltage trip: replace the bullet (•) with a U (for example, GVAU025).

To order a shunt trip: replace the bullet (•) with an S (for example, GVAS025).

[26] From the loss of voltage at the trip terminals to the opening of the starter contacts.



GVAE11



GV3G66

Table 17.100: Auxiliary Contact Blocks [27]

Description	Mounting Location	Max. No. of Blocks	Contact Type	Sold in lots of	Cat. No.
Instantaneous auxiliary contacts GV2 or GV3P	Front [28]/[29]	1	N.O. or N.C. [30]	1	GVAE1
			N.O. + N.C.	10	GVAE11
	Left Hand Side	2	N.O. + N.O.	1	GVAE20
			N.O. + N.C.	1	GVAN11
Fault signaling contact + instantaneous auxiliary contact GV2 or GV3P	Left Hand Side [31]	1	N.O. (fault) + N.O.	1	GVAD1010
			N.O. (fault) + N.C.	1	GVAD1001
			N.C. (fault) + N.O.	1	GVAD0110
			N.C. (fault) + N.C.	1	GVAD0101
Short circuit signaling contact GV2 or GV3P	Left Hand Side	1	SPDT	1	GVAM11

Table 17.101: GV3P Accessories

Accessory	Application / Use With	Standard Pack	Cat. No.
Through-the-door operating mechanism kits	NEMA 1, 12, Black with trip indication, for use with GV3P	1	GV3APN01
	NEMA 1, 12, Red/Yellow, with trip indication, for use with GV3P	1	GV3APN02
	NEMA 3R, 4, 4X Red/Yellow without trip indication, for use with GV3P	1	GV3APN04
Angle bracket	Operating mechanism support shaft for deep enclosures (≥ 300 mm), for use with GV3P	1	GVAPK12
3-pole, 115 A busbar	For feeding 2 GV3P starters, 64 mm pitch	1	GV3G264
	For feeding 3 GV3P starters, 64 mm pitch	1	GV3G364
Incoming line spacer	Line spacer for GV3P when used in UL 508 Type E applications. One spacer required on line side.	1	GV3G66
IP20 cover	IP20 protective cover for ring tongue versions of GV3P and 3-pole TeSys™ Deca Everlink contactors. Two covers required for line and load side.	1	LAD96570
Padlocking device	For use with up to 4 padlocks (not supplied). Ø 6 mm shank maximum	1	GV2V03
Operating mechanism short shaft	One-piece short shaft for installing operating mechanisms in shallow enclosures, for use with GV2P, GV3P and TeSys Ultra	1	GVAPA2
Laser tool	Laser tool for installing through-the-door kits	1	GVAPL01
S-shaped busbar	For connecting GV3P starters and LC1D40A-65A contactors side by side without intrawiring	1	GV3S

Common Accessories for BV4, GV4, GV5 and GV6

Common Accessories	BV4 Reference	GV4 Reference	GV5 Reference	GV6 Reference	
Auxiliary contacts OF or SD					
Open/Closed Status	GV4AE11	GV4AE11	GV7AE11	GV7AE11	
Trip Alarm	—	—	—	—	
Open/Closed Status — Low Level	—	—	GV7AB11	GV7AB11	
Fault signalization modules					
For GV4PB , SDx module mounts externally on the right side, and provides pre-trip alarm and fault signalization					
<ul style="list-style-type: none"> SDT95% overload alarm: thermal image of the motor is greater than 95 % of the permissible temperature rise. SDTxxs overload alarm: circuit breaker will trip in xx seconds with the same load. xx is adjustable between 10 to 40 seconds (default 20 seconds) on the circuit breaker itself through NFC or a computer with EcoStruxure Power Commission software and an interface module (TRV00911). SDTAM overload alarm just before tripping: in the event of a phase unbalance, overload, or on a jam fault, this output is activated to open the contactor and avoid circuit breaker tripping. In that case, contact can be manually or automatically reseted after an adjustable cooling time from 1 to 15 minutes. If after a 400 ms delay the motor is not stopped, the circuit breaker will trip. SDT overload trip indication: circuit breaker has tripped due to an overload fault. SDJAM jam trip indication: circuit breaker has tripped due to a jam fault. SDUNB phase unbalance trip indication: circuit breaker has tripped due to an unbalance fault. SDLS long start trip indication: circuit breaker has tripped due to a long start fault. SDGF ground-fault trip indication: circuit breaker has tripped due to a ground-fault. 	—	GV4ADM111	LV429424 (1)	LV429424 (1)	
For GV5PB & GV6PB , SDx module mounts internally, and includes a pre-trip contact (400 ms prior to trip) that can be use to open the contactor, as well as a contact that indicates overload trip of the circuit-breaker.					
Instantaneous voltage release					
Undervoltage Release (Mn)	24 V 50/60 Hz	GV4AU027	GV4AU027	P29404	P29404
	24 Vdc	—	—	—	—
	48 V 50/60 Hz—48 Vdc	GV4AU057	GV4AU057	GV7AU055	GV7AU055
	110–130 V 50/60 Hz—125 Vdc	GV4AU137	GV4AU137	GV7AU107	GV7AU107
	208–240 V 50/60 Hz	GV4AU247	GV4AU247	GV7AU207	GV7AU207
	277 V 60 Hz	GV4AU286	GV4AU286	—	—
	380–415 V 50 Hz	GV4AU415	GV4AU415	GV7AU387	GV7AU387
	440–480 V 60 Hz	GV4AU486	GV4AU486	—	—
525–600 V 60 Hz	—	—	P29409	P29409	

[27] One trip or one fault signaling can be fitted per GV3.

[28] Cannot be used with **GV2GH7** insulator.

[29] Mounting of a **GVAE** contact block or a **GV2AK00** visible isolation block on **GV2P**.

[30] Choice of N.C. or N.O. contact operation, depending on which way the reversible block is mounted.

[31] The **GVAD** is always mounted next to the starter.

Common Accessories		BV4 Reference	GV4 Reference	GV5 Reference	GV6 Reference
Shunt Trip (Mx)	24 V 50/60 Hz	GV4AS027	GV4AS027	P29384	P29384
	24 Vdc	—	—	—	—
	48 V 50/60 Hz–48 Vdc	GV4AS057	GV4AS057	GV7AS055	GV7AS055
	110–130 V 50/60 Hz–125 Vdc	GV4AS137	GV4AS137	GV7AS107	GV7AS107
	208–240 V 50/60 Hz	GV4AS287	GV4AS287	GV7AS207	GV7AS207
	277 V 60 Hz	—	—	—	—
	380–415 V 50 Hz–440–480 V 60 Hz	GV4AS487	GV4AS487	GV7AS387	GV7AS387
	525–600 V 60 Hz	—	—	P29389	P29389
Rotary handles					
Direct	With black handle on black font	GV4ADN01	GV4ADN01	GV5AP03	GV6AP03T
	With red handle on yellow font	GV4ADN02	GV4ADN02	GV7AP04	LV432599T
Front extended IP54	With black handle on black font	GV4APN01	GV4APN01	GV7AP01 (2)	LV432598T (2)
	With red handle on yellow font	GV4APN02	GV4APN02	GV7AP02 (2)	LV432600T (2)
Front extended IP65	With red handle on yellow font	GV4APN04	GV4APN04	—	—
Lateral	With black handle on black font	LV426935T	LV426935T	—	—
	With red handle on yellow font	LV426936T	LV426936T	—	—
Open door shaft operator	—	LV426937	LV426937	—	—
Laser alignment tool to aid in aligning hole on door with rotary mechanism	—	GVAPL01	GVAPL01	GVAPL01	GVAPL01

Additional BV4 and GV4 Accessories

Accessory	BV4 Reference	GV4 Reference
Cabling Accessories		
EverLink Connector (replacement)	LAD96565	LAD96565
Large Spacing Cover for EverLink Connector (replacement)	GV4G66	—
Crimp Lug Connector + Screws	GV4LUG	GV4LUG
Transparent Terminal Shield for Crimped Lug Connector	LAD96590	LAD96590
Interphase Barriers	LV426920	LV426920
One Time Torque Limiters, Green—9 N.m (set of 6)	LV426990	LV426990
One Time Torque Limiters, Yellow—5 N.m (set of 6)	LV426992	LV426992
Locking Accessories		
Removable Toggle Locking Device for 1 to 3 Padlocks	29370	—
Bag of 6 Leads + 6 Sealing Accessories	LV429375	—
Programming Tools		
Pocket Battery—Allows changes to settings on the GV4PB when not powered by the line voltage	—	LV434206
GV4PB cord for USB Maintenance Interface	—	TRV00917
EcoStruxure Power Commission app	—	Free download

Additional GV5 and GV6 Accessories

Accessory	GV5PB150.. Reference	GV5PB250.. Reference	GV6PB.. Reference	
Cabling Accessories				
Mechanical lug kit (set of 3)	14–10 AWG (2.5–6mm ²)—Al/Cu	AL150HD	—	
	14–2/0 AWG (2.5–70mm ²)—Cu	CU150HD	—	
	4–4/0 AWG (25–95mm ²)—Al/Cu	—	AL175JD	—
	3/0–350 kcmil AWG (95–185mm ²)—Al/Cu	—	AL250JD	—
	1/0 AWG–300 kcmil (50–185mm ²)—Al/Cu	—	CU250JD	—
	2 AWG–500 kcmil (35–240mm ²)—Al	—	—	—
	2 AWG–600 kcmil (35–300mm ²)—Cu	—	—	AL400L61K3
	2 AWG–600 kcmil (35–300mm ²)—Cu	—	—	CU400L61K3
	2/0 AWG–500 kcmil (70–240 mm ²)—Al/Cu	—	—	AL600LS52K3
	2/0 AWG–500 kcmil (70–240mm ²)—Cu	—	—	CU600LS52K3
	3/0 AWG–500 kcmil (95–240)—Al/Cu	—	—	AL600LF52K3
	3/0 AWG–500 kcmil (95–240)—Cu	—	—	CU600LF52K3
Terminal Nut Insert kit/Bus Bar Connections	1/4–20 Tap (set of 3)	S37444	S37445	
	M10 x 25 terminal screws and washers for one side (set of 4)	—	—	S36967
Terminal Shield	Short Terminal Shield	S37447	S37448	LTSS3P
	Medium Terminal Shield	—	—	LTSM3P
	Long Terminal Shield	—	—	LTSL3P
Phase Barriers	Phase Barriers (set of 6)	S29329	S29329	32570
Locking & Other Accessories				
Door Lock	Removable Door lock (lock off only)	S29370	S29370	S29370
	Fixed Door lock (on or off)	S29371	S29371	S32631
Toggle Extension	Fixed (set of 5)	S29313	S29313	S432553

Refer to Catalog MKTED210011EN

Enclosed TeSys™ Deca Starters

TeSys Deca enclosed full-voltage starters are available in Type 1 and Type 12/3R enclosures. The enclosed TeSys Deca offer accepts standard TeSys Deca accessories and all Insta-Kits control units and control power transformer kits. For additional sizes, combinations and accessory options, see Catalog 8100CT1901. Check with local sales office for availability.



LE1D093A62OB70

CONTACTORS AND STARTERS-IEC

Table 17.102: Insta-Kits for Enclosed Full Voltage Non-Reversing Starters^[32]

Max. Horsepower Ratings						Auxiliary Contacts On Each Contactor		Current Rating of Contactor	Catalog Number ^[33]	
Single-Phase		Three-Phase				N.O.	N.C.		Type 1	Type 12/3R
120 V	240 V	208 V	230 V	460 V	575 V					
1/3	1	2	2	5	7.5	1	1	9	LE1D093A62O****	LE1D093A72O****
1/2	2	3	3	7.5	10	1	1	12	LE1D123A62O****	LE1D123A72O****
1	3	5	5	10	15	1	1	18	LE1D183A62O****	LE1D183A72O****
2	3	5	7.5	15	20	1	1	25	LE1D253A62O****	LE1D253A72O****
2	5	7.5	10	20	25	1	1	32	LE1D323A62O****	LE1D323A72O****
3	5	10	10	30	30	1	1	40	LE1D403A62O****	LE1D403A72O****
3	7.5	15	15	40	40	1	1	50	LE1D503A62O****	LE1D503A72O****
5	10	20	20	40	50	1	1	65	LE1D653A62O****	LE1D653A72O****

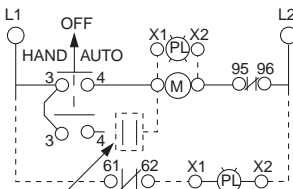
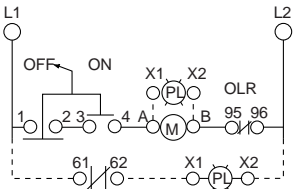
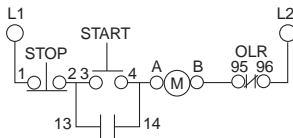
Table 17.103: Voltage Codes for Enclosed Starters

Primary Voltage	120	208	240
Code	G7	L7	U7

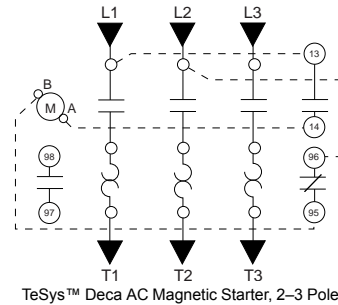
TeSys Deca dimensions: TeSys™ Deca Non-Combination Starter Dimensions, page 17-57

Insta-Kits Selection

With the use of Insta-Kits, only one operator scheme is allowed. For additional accessory kits and options, see Catalog 8100CT1901. Check with local sales office for availability.



From top to bottom: Start/Stop, On - Off Selector Switch, HOA Selector Switch



[32] See Table 17.25 TeSys™ Deca Overload Relays—Ambient Compensated, Bimetallic, Direct Mounting, page 17-11 for field installable overload relays.

[33] To obtain a single phase non-reversing starter, change prefix LE1 to LES. (e.g., LE1D093A62O**** becomes LESD093A62O****). Price remains unchanged.

Table 17.104: Insta-Kit Accessories for Field Installation

Symbol	Description	Color	Nameplate	Suffix/Cat. No. [34]
				NEMA Type 1
One operator on cover				
	2 Position selector switch	Black	Off - On	LA9CA06DT
	3 Position selector switch	Black	Hand - Off - Auto	LA9CA06ET
	2 Push buttons	Green Red	Start Stop	LA9CA06GT
	3 Position selector switch, Pilot light (transformer type)	Black Red/Green	Hand - Off - Auto Power On	LA9CA06UT

[34] Catalog numbers beginning with LA9 are only for starters with a "2" before the voltage code. When using a factory option that does not have a corresponding customer kit, the 10th digit of the starter must change from a "2" to a "1".

Altistart™ Drive and TeSys™ Ultra Motor Starter

Table 17.105: Soft Start / Soft Stop Unit for 0.75 to 15 kW Motors (can be combined with the TeSys Ultra starter)

Motor		Starter	
Motor Power, hp ^[1]		Nominal Current, A	Catalog Number
230 V	460 V		
3-phase supply voltage: 200 to 480 V 50/60 Hz			
1	2	6	ATSU01N206LT
1.5	3		
2	5	9	ATSU01N209LT
3	7.5	12	ATSU01N212LT
5	10		
7.5	15	22	ATSU01N222LT
10	20	32	ATSU01N232LT

Table 17.106: Accessories

Description	Used for Starter	Catalog Number
Power connector between ATSU 01N2●●LT and TeSys™ Ultra	ATSU01N2●●T	VW3G4104

Table 17.107: TeSys Ultra Starter and Soft Start Unit Combinations

Motor Power, hp		Soft Starter	TeSys Ultra	
Voltage			Power Base	Control Unit ^[2]
200 V	460 V			
1	2	ATSU01N206LT	LUB 12	LUC●05BL
1.5	3	ATSU01N206LT		LUC●12BL
2	5	ATSU01N209LT		LUC●12BL
3	—	ATSU01N212LT		LUC●12BL
—	7.5	ATSU01N212LT		LUC●18BL
5	10	ATSU01N222LT	LUB 32	LUC●18BL
7.5	15	ATSU01N222LT		LUC●32BL
10	20	ATSU01N232LT		LUC●32BL



ATSU01●●

E164862
CCN NLDXLR43364
Class 3211 04

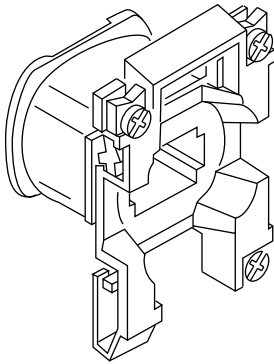
[1] Standard motor power ratings, HP power ratings indicated according to standard UL 508.

[2] Depending on the configuration of the chosen TeSys Ultra starter, replace the ● with A for standard, B for advanced, and M for multifunction. See Table 17.75 for a complete list of available control units. Control voltage must be 24 Vdc.

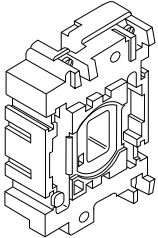
TeSys™ Deca—AC Coils

Table 17.108: For LC1D09–D38, LC1DT20–DT40 Contactors and CAD Relays

Rated Nominal Voltage	Catalog Number, 50/60 Hz
24	LXD1B7
120	LXD1G7
208	LXD1LE7
230/240	LXD1U7
277	LXD1W7
Specifications	50/60 Hz
Average consumption - Inrush (inductance 0.75) - Sealed (inductance 0.3)	70 VA 7 VA
Operating range @ 60° C	80–110% of nominal @ 50 Hz, 85–110% of nominal @ 60 Hz



LX1D2



LX1D6

Table 17.109: For Old D2 Style LC1D40, D50, D65, D80, and D95; For TeSys Deca LC1D40A, D50A, D65A, DT60A, and DT80A; For TeSys Deca LC1D115 and D150

For TeSys™ Deca LC1D40A, D50A, D65A, DT60A, DT80A	
Rated Nominal Voltage, V	Catalog Number 50/60 Hz
For TeSys™ Deca LC1D40A, D50A, D65A, DT60A, DT80A	
24	LXD3B7
120	LXD3G7 ^[1]
208	LXD3LE7 ^[1]
240	LXD3U7
480	LXD3T7 ^[2]
Specification	50/60 Hz
Average consumption	
-inrush (inductance 0.3)	140 VA (Inductance: 0.9)
-sealed (inductance 0.3)	7.5 VA (Inductance: 0.9)
Operating range	
at $\theta \leq 55^\circ\text{C} / 131^\circ\text{F}$	80–115% of nominal voltage

Table 17.110: TeSys™ F—AC Coils (For LC1F115, F150, F185, F225, F265, F330, F400, F500, F630, F780, F800, and F1400–F2100)

Contactor	F115-F150	F185-F225	F265-F330	F400	F500	F630	F780 ^[3]	F800 ^[4]	F1400-F2100 ^[4]
Coil Part Number AC 50/60 Hz									
120 V	LX9FF127	LX9FG127	LX1FH1272	LX1FJ127	LX1FK127	LX1FL110	LX1FX110	LX4F8FW	LX1FK070 ^[5]
240 V	LX9FF220	LX9FG220	LX1FH2402	LX1FJ240	LX1FK240	LX1FL220	LX1FX220	LX4F8MW	LX1FK127
480 V	LX9FF500	LX9FG500	LX1FH5002	LX1FJ500	LX1FK500	LX1FL415	LX1FX415	—	LX1FK240
Coil Part Number DC									
24 V	LX4FF024	LX4FG024	LX4FH024	—	—	—	—	—	—

[1] 60 Hz only
 [2] This coil can only be used on 60 Hz.
 [3] LC1F780 contactors operate with 2 coils as a set. The LX1FX* part number includes both coils.
 [4] Also requires rectifier DR5TE4U for 110–240 V coils.
 [5] Order 2 coils and connect them in series.

New!

Deca Replaceable Switching Modules

- Innovative contact switching modules for TeSys™ Deca contactors
- Replace worn-out poles with a new switching module in minutes, without having to disassemble the entire product.
- No special tools are needed for the replacement



LA5D1153SM

Table 17.111: Replacement Contact Assemblies

	For use with contactors		Catalog Number
Three-pole	LC1D115A	3 poles	LA5D1153SM
	LC1D150A	3 poles	LA5D1503SM
Four-pole	LC1DT200A	4 poles	LA5D1154SM

Replacement Control Module

- Wide band electronic coils
- Accessible for quick and easy replacement

Table 17.112: Replacement Control Module

For contactors		Operating Voltage Vac (50/60 Hz or DC control input)			
		24–60 Vac	48–130 Vac	100–250 Vac	200–500 Vac
3-pole	LC1D115A–D150A	LX1D83BNE	LX1D83EHE	LX1D83KUE	LX1D83LSE
4-pole	LC1DT200A	LX1D84BNE	LX1D84EHE	LX1D84KUE	LX1D84LSE

Giga Replaceable Switching Modules

- Innovative contact switching modules for TeSys™ Giga Contactors
- Replace worn-out poles with a new switching module in minutes, without having to disassemble the entire product.
- No special tools are needed for the replacement



LA9G3QA

Table 17.113: TeSys™ Giga – Switching modules for TeSys Giga contactors (Standard and Advanced versions)

Description	Suitable for:	For contactors	Reference
3 or 4 switching module kits	3-pole	LC1G115/LC1G225	LA9G3QA
		LC1G265/LC1G330	LA9G3RA
		LC1G400/LC1G500	LA9G3SA
		LC1G630/LC1G800	LA9G3TA ^[6]
	4-pole	LC1G115/LC1G225	LA9G4QA
		LC1G265/LC1G330	LA9G4RA
		LC1G400/LC1G500	LA9G4SA
		LC1G630/LC1G800	LA9G4TA ^[6]

NOTE: During replacement, replace all switching modules. After replacement, change the position of the RESET button on the control module from A to B or B to A.

[6] Available 2Q 2022.

TeSys™ AK5 Panel Busbar System

The AK5 pre-fabricated bus bar system provides a quick and easy method of mounting control devices. All components are finger safe, UL Listed, CSA approved and CE marked. Although the AK5 system can be screw mounted onto any type of support, it **must be mounted** on the AM1DL201 DIN rail when component mounting plates incorporating a tap-off are used. When using tap-offs, the nominal operating current of the bus bar (160 A @ 35°) must not be exceeded. Approvals include IEC 439, UL, CSA, DNV and LROS.



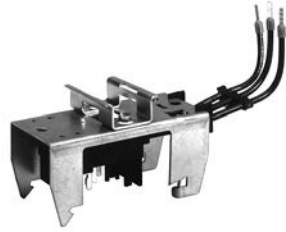
AK5JB busbar

Table 17.114: 160 A, 3-Phase Busbar System

Maximum number of mounting plates						Length		Catalog Number
Tap-off		Standard Width Plate		Extension Plate		in.	mm	
1.42 in.	36 mm	2.13 in.	54 mm	2.80 in.	71 mm			
15		10		5		26.05	668	AK5JB146
24		16		8		38.69	992	AK5JB149

Table 17.115: Mounting Plate Tap-off
(plugs into busbar mounted on AM1DL201 DIN rail)

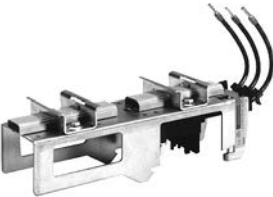
Width		Thermal Current Amperes	Application	Catalog Number
in.	mm			
2.13	54	25 A	GV2 with LUS or LUB 12 and 32 contactor	AK5PA231
2.13	54	25 A		AK5PA232



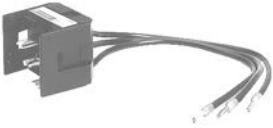
AK5PA231

Table 17.116: Bus Tap-off
(plugs into busbar for wiring to a separately mounted device)

Width		Thermal Current (A)	Length of Leads		Catalog Number
in.	mm		in.	mm	
1.42	36	32 A	9.84	250	AK5PC33
1.42	36	32 A	39.37	1000	AK5PC33L



AK5PA232S



AK5PC33



AM1DL201

Table 17.117: Mounting Rail (must be used for mounting plates with tap-offs)

Description	Depth	Length	Catalog Number
	mm	mm	
75 mm Omega Rail	15	2000	AM1DL201

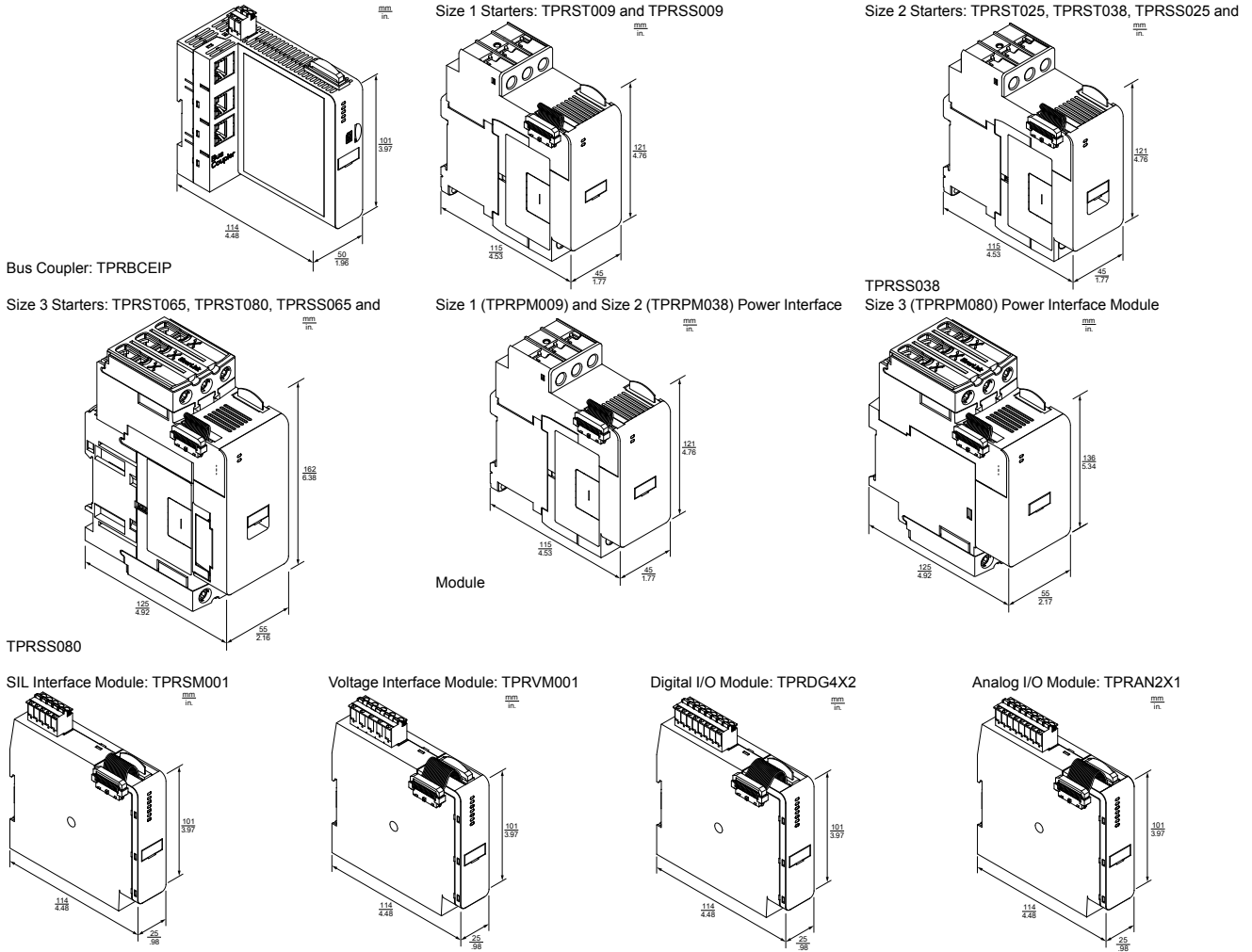


File E161251
CCN NMTR



File LR 89150
Class 6228-01

TeSys™ island Load Management System Module Dimensions



TeSys™ Deca Contactors, AC and DC Coil

Table 17.118: TeSys Deca 9 to 38 A Contactors, AC and DC Coils

LC1D09 to D18		LC1D25 to D38 (3-pole) and LC1DT20 to DT40 (4-pole)				
TeSys Deca contactors: LC1D		D09 to D18 in. (mm)	D25 to D38 in. (mm)	D098, D128, DT20, DT25 in. (mm)	DT32, DT40 in. (mm)	D188, D258 in. (mm)
b	AC coil, without add-on accessories	3.03 (77)	3.36 (85)	3.34 (85)	3.58 (91)	4.13 (105)
	DC coil	3.03 (77)	3.36 (85)	3.34 (85)	3.58 (91)	4.13 (105)
b1	AC coil, with LAD4BB	3.70 (94)	3.85 (98)	3.85 (98)	—	—
	AC coil, with LA4D*2	4.33 (110) [1]	4.48 (114) [1]	4.48 (114)	—	—
	AC coil, with LA4DF, DT	4.68 (119) [1]	4.84 (123) [1]	5.02 (129)	—	—
	AC coil, with LA4DR, DW, DL	4.96 (126) [1]	5.11 (130) [1]	7.48 (190)	—	—
c	AC coil, without cover or add-on blocks	3.30 (84)	3.54 (90)	3.54 (90)	3.85 (98)	3.85 (98)
	AC coil, with cover, without add-on blocks	3.38 (86)	3.62 (92)	3.62 (92)	3.93 (100)	3.93 (100)
	DC coil, without cover or add-on blocks	3.66 (93)	3.89 (99)	—	—	—
	DC coil, with cover, without add-on blocks	3.76 (95)	3.97 (101)	3.90 (99)	4.21 (107)	4.21 (107)
c1	AC coil, with LADN or C (two or four contacts)	4.60 (117)	4.84 (123)	4.84 (123)	5.15 (131)	5.15 (131)
	DC coil, with LADN or C (two or four contacts)	4.96 (126)	5.19 (132)	4.84 (123)	5.15 (131)	5.15 (131)
c2	AC coil, with LAD6K10	5.07 (129)	5.31 (135)	5.31 (135)	5.62 (143)	5.62 (143)

[1] Including LAD4BB.

Table 17.118 TeSys Deca 9 to 38 A Contactors, AC and DC Coils (cont'd.)

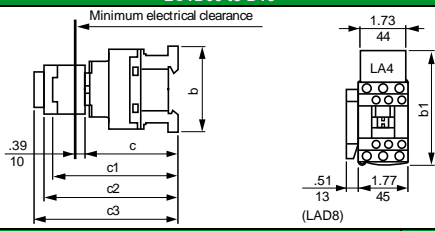
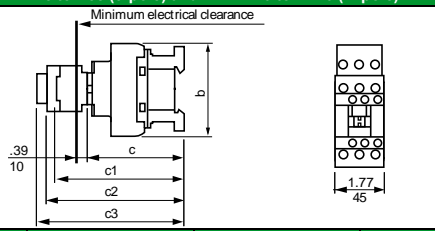
LC1D09 to D18		LC1D25 to D38 (3-pole) and LC1DT20 to DT40 (4-pole)				
						
TeSys Deca contactors: LC1D		D09 to D18 in. (mm)	D25 to D38 in. (mm)	D098, D128, DT20, DT25 in. (mm)	DT32, DT40 in. (mm)	D188, D258 in. (mm)
c3	DC coil, with LAD6K10	5.43 (138)	5.66 (144)	5.31 (135)	5.62 (143)	5.62 (143)
	AC coil, with LADT, R, S	5.39 (137)	5.62 (143)	5.62 (143)	5.94 (151)	5.94 (151)
	AC coil, with LADT, R, S and sealing cover	5.55 (141)	5.78 (147)	5.78 (147)	6.10 (155)	6.10 (155)
	DC coil with LADT, R, S	5.76 (146)	5.98 (152)	5.62 (143)	5.94 (151)	5.94 (151)
	DC coil with LADT, R, S and sealing cover	5.90 (150)	6.14 (156)	5.78 (147)	6.10 (155)	6.10 (155)

Table 17.119: TeSys Deca 40 A to 65 A, AC and DC coil

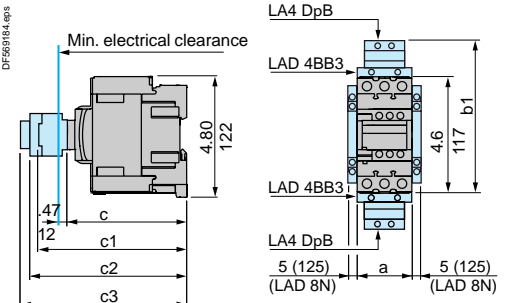
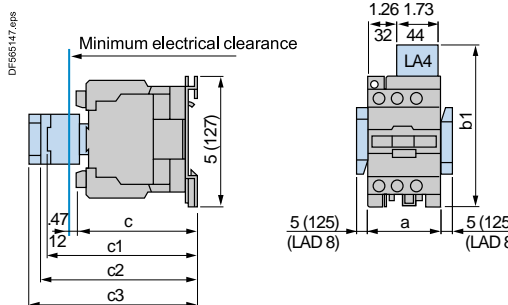
LC1 D40A–D65A (3P), LC1 DT60A–DT80A (4P) AC OR DC	LC1	D40A–D65A	DT60A–DT80A	
		in. (mm)	in. (mm)	
	a	2.17 (55)	2.76 (70)	
	b1	with LA4 D●2	—	—
		with LA4 DB3 or LAD 4BB3	5.35 (136)	—
		with LA4 DF, DT	6.18 (157)	—
	c	with LA4 DM, DW, DL	6.54 (166)	—
		without cover or add-on blocks	4.65 (118)	4.65 (118)
	c1	with cover, without add-on blocks	4.72 (120)	4.72 (120)
		with LADN (1 contact)	—	—
	c2	with LADN or C (2 or 4 contacts)	5.91 (150)	5.91 (150)
		with LAD 6K10 or LA6 DK	6.42 (163)	6.42 (163)
c3	with LADT, R, S	6.73 (171)	6.73 (171)	
	with LADT, R, S and sealing cover	6.89 (175)	6.89 (175)	

Table 17.120: TeSys Deca D80 and D95 AC Coil

LC1D80 and D95 (3P), LP1 D80004 and D80008 (4P)	LC1	D80	D95	D80004	D80008	
		in. (mm)	in. (mm)	in. (mm)	in. (mm)	
	a	3.35 (85)	3.35 (85)	3.78 (96)	3.78 (96)	
	b1	with LA4 D●2	5.31 (135)	5.31 (135)	5.31 (135)	5.31 (135)
		with LA4 DB3 or LAD 4BB3	5.31 (135)	—	—	—
		with LA4 DF, DT	5.59 (142)	5.59 (142)	5.59 (142)	5.59 (142)
	c	with LA4 DM, DW, DL	5.90 (150)	5.90 (150)	5.90 (150)	5.90 (150)
		without cover or add-on blocks	4.92 (125)	4.92 (125)	4.92 (125)	5.51 (140)
	c1	with cover, without add-on blocks	5.12 (130)	5.12 (130)	—	—
		with LADN (1 contact)	5.90 (150)	5.90 (150)	5.90 (150)	5.90 (150)
	c2	with LADN or C (2 or 4 contacts)	6.22 (158)	6.22 (158)	6.22 (158)	6.22 (158)
		with LAD 6K10 or LA6 DK	6.69 (170)	6.69 (170)	6.69 (170)	6.69 (170)
c3	with LADT, R, S	7 (178)	7 (178)	7 (178)	7 (178)	
	with LADT, R, S and sealing cover	7.16 (182)	7.16 (182)	7.16 (182)	7.16 (182)	

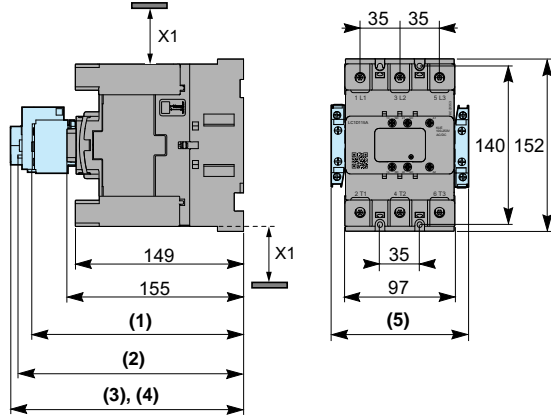
CONTACTORS AND STARTERS-IEC

TeSys™ Deca Contactors, DC Coil

Table 17.121: DC Coil

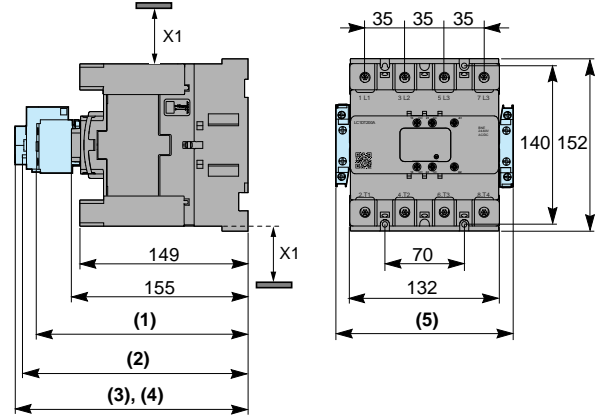
LC1D80, D95 (3P), LP1D80004, D80008 (4P)	LC1	D80 and D95	D80004	D80008	
		in. (mm)	in. (mm)	in. (mm)	
	a	3.35 (85)	3.78 (96)	3.78 (96)	
	b1	with LAD 4BB3	—	—	—
		with LA4 DF, DT	—	—	—
	c	without cover or add-on blocks	7.13 (181)	7.13 (181)	7.72 (196)
		with cover, without add-on blocks	7.32 (186)	—	—
	c1	with LAD N (1 contact)	8.03 (204)	8.03 (204)	8.03 (204)
		with LAD N or C (2 or 4 contacts)	8.27 (210)	8.27 (210)	8.27 (210)
	c2	with LA6 DK10	8.70 (221)	8.70 (221)	8.70 (221)
		with LAD T, R, S	9.01 (229)	9.01 (229)	9.01 (229)
	c3	with LAD T, R, S and sealing cover	9.17 (233)	9.17 (233)	9.17 (233)

LC1D115A and D150A (3-pole) | LC1DT200A (4-pole)



All dimensions are in mm.

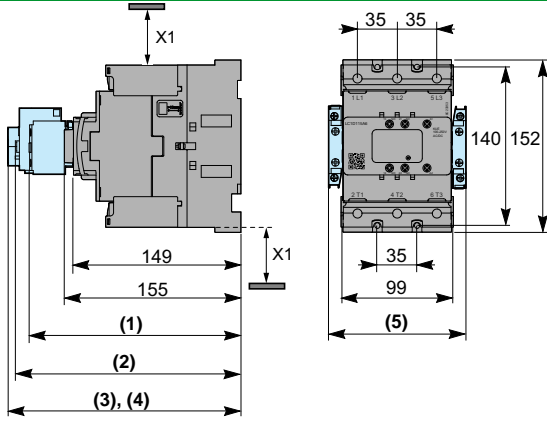
(1)	LC1D●●●A+LADN+LADC	187
(2)	LC1D●●●A+LAD6K20	196
(3)	LC1D●●●A+LADT+LADR+LADS	205
(4)	LC1D●●●A+LADT+LADR+LADS+LA9D901	209
(5)	LC1D●●●A+(2x LAD8N)	120
X1	Minimum electrical clearance	40



All dimensions are in mm.

(1)	LC1DT200A+LADN+LADC	187
(2)	LC1DT200A+LAD6K20	196
(3)	LC1DT200A+LADT+LADR+LADS	205
(4)	LC1DT200A+LADT+LADR+LADS+LA9D901	209
(5)	LC1DT200A+(2x LAD8N)	155
X1	Minimum electrical clearance	40

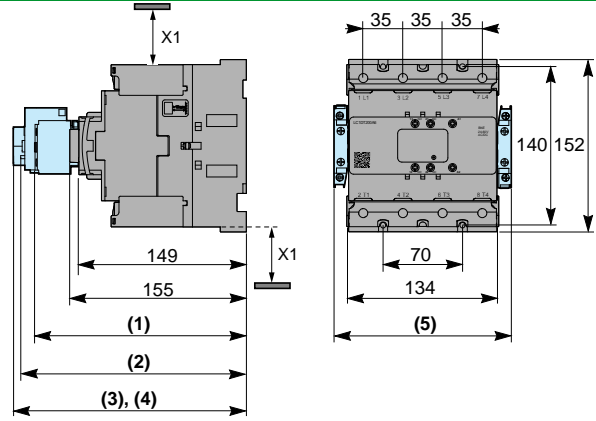
LC1D115A6 and D150A6 (3-pole)



All dimensions are in mm.

(1)	LC1D●●●A6+LADN+LADC	187
(2)	LC1D●●●A6+LAD6K20	196
(3)	LC1D●●●A6+LADT+LADR+LADS	205
(4)	LC1D●●●A6+LADT+LADR+LADS+LA9D901	209
(5)	LC1D●●●A6+(2x LAD8N)	120
X1	Minimum electrical clearance	40

LC1DT200A6 (4-pole)

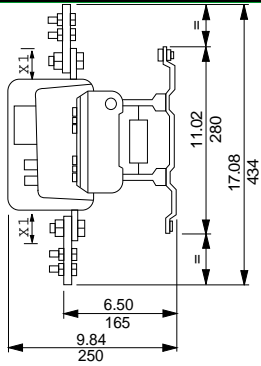


All dimensions are in mm.

(1)	LC1DT200A6+LADN+LADC	187
(2)	LC1DT200A6+LA6DK20	196
(3)	LC1DT200A6+LADT+LADR+LADS	205
(4)	LC1DT200A6+LADT+LADR+LADS+LA9D901	209
(5)	LC1DT200A6+(2x LAD8N)	155
X1	Minimum electrical clearance	40

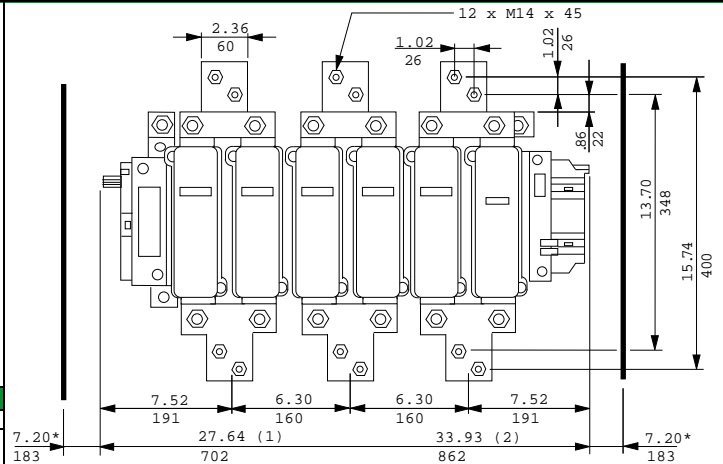
TeSys™ F Contactors, Dimensions

LC1F780, F7804



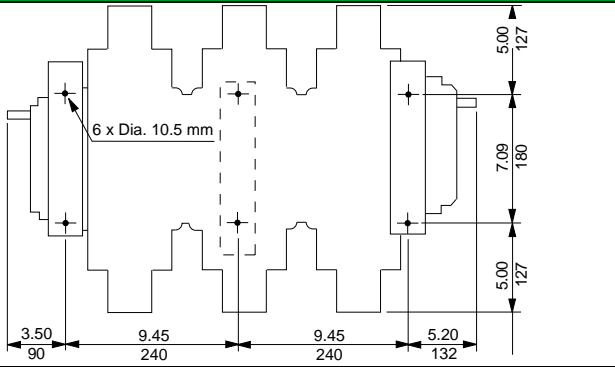
X1: Minimum clearance according to the operational voltage and the breaking capacity.

Voltage (V)	200–500 V	690–1000 V
X1 in mm	30	35

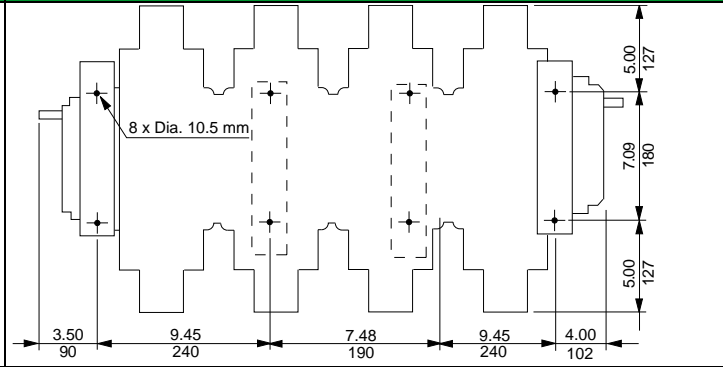


1) Overall length (3 poles).
2) Overall length (4 poles).
* Minimum distance required for coil removal.

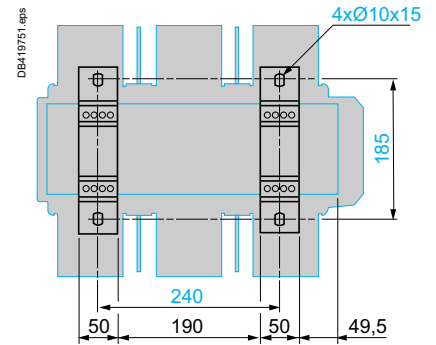
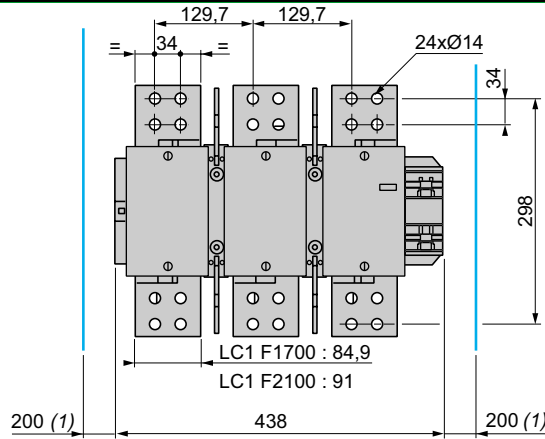
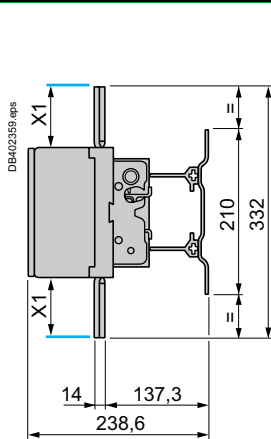
LC1F780 mounting



LC1F7804 mounting



LC1 F1000, LC1 F1400, LC1 F1700 and LC1 F2100



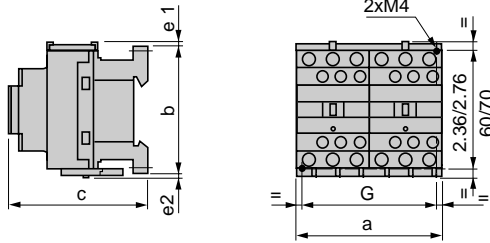
X1: Minimum clearance according to the operational voltage and the breaking capacity.
1) Minimum distance required for coil removal.

Voltage (V)	200–500 V	690–1000 V
X1 in mm	90	100

TeSys™ Deca Reversing Contactor Dimensions

Table 17.122: Reversing Contactor Dimensions

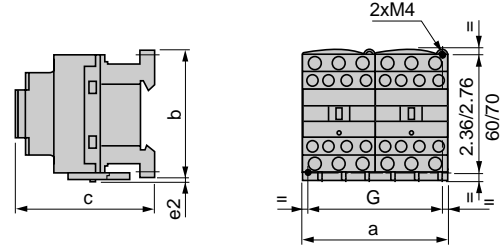
LC2D09–D38
2 x LC1D09 to D38



LC2 or 2 x LC1	a	b	c [2]	e1	e2	G
	in. (mm)	in. (mm)	in. (mm)	in. (mm)	in. (mm)	in. (mm)
D09 to D18 (AC Coil)	3.54 (90)	3.03 (77)	3.38 (86)	0.16 (4)	0.06 (1.5)	3.14 (80)
D093 to D123 (AC Coil)	3.54 (90)	3.9 (99)	3.38 (86)	—	—	3.14 (80)
D09 to D18 (DC Coil)	3.54 (90)	3.03 (77)	3.74 (95)	0.16 (4)	0.06 (1.5)	3.14 (80)
D093 to D123 (DC Coil)	3.54 (90)	3.9 (99)	3.74 (95)	—	—	3.14 (80)
D25 to D38 (AC Coil)	3.54 (90)	3.34 (85)	3.62 (92)	0.35 (9)	0.20 (5)	3.14 (80)
D183 to D383 (AC Coil)	3.54 (90)	3.9 (99)	3.62 (92)	—	—	3.14 (80)
D25 and D32 (DC Coil)	3.54 (90)	3.34 (85)	3.98 (101)	0.35 (9)	0.20 (5)	3.14 (80)
D183 to D383 (DC Coil)	3.54 (90)	3.9 (99)	3.98 (101)	—	—	3.14 (80)

e1 and e2: includes cabling

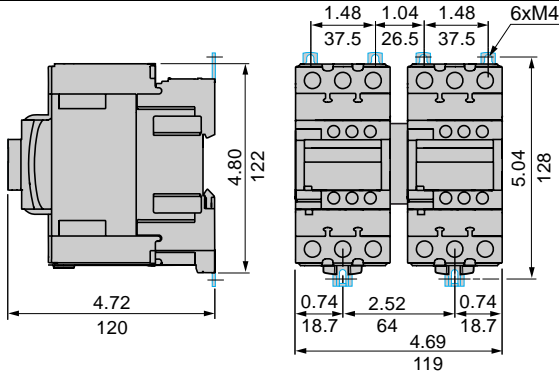
LC2DT20 to DT40
2 x LC1 DT20 to DT40



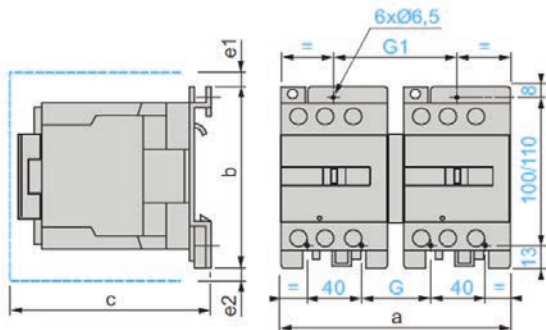
LC2 or 2 x LC1	a	b	c	G
	in. (mm)	in. (mm)	in. (mm)	in. (mm)
DT20 and DT25 (AC Coil)	3.54 (90)	3.34 (85)	3.62 (92)	3.14 (80)
DT32 and DT40 (AC Coil)	3.54 (90)	3.58 (91)	3.9 (99)	3.14 (80)
DT20 and DT25 (DC Coil)	3.54 (90)	3.34 (85)	4 (102)	3.14 (80)
DT32 and DT40 (DC Coil)	3.54 (90)	3.58 (91)	4.29 (109)	3.14 (80)

c, e: includes cabling

LC2D40A to D65A
2 x LC1D40A to D65A



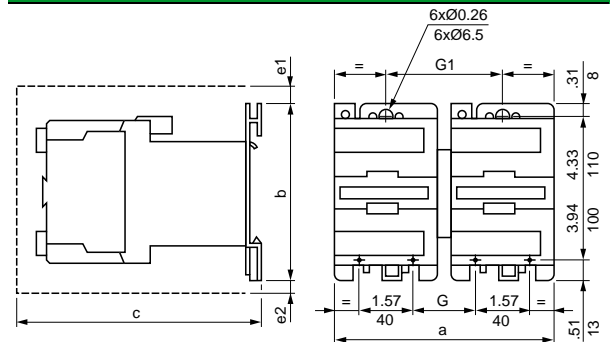
LC2D80 and D95
2 x LC1D80 and D95 (AC Coil)



LC2 or 2 x LC1	a	b	c	e1	e2	G	G1
	in. (mm)	in. (mm)	in. (mm)	in. (mm)	in. (mm)	in. (mm)	in. (mm)
D80 and D95	7.17 (182)	5 (127)	6.22 (158)	0.51 (13)	—	2.24 (57)	3.78 (96)
D80004	8.15 (207)	5 (127)	6.22 (158)	—	0.79 (20)	2.8 (71)	4.37 (111)

c, e1, and e2: includes cabling

2 x LC1D80 and D95 (DC Coil)

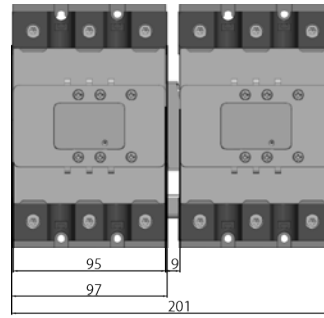


2 x LC1	a	b	c	e1	e2	G	G1
	in. (mm)	in. (mm)	in. (mm)	in. (mm)	in. (mm)	in. (mm)	in. (mm)
D80 and D95	8.15 (207)	5.0 (127)	8.46 (215)	0.51 (13)	0.79 (20)	3.78 (96)	4.37 (111)

c, e1 and e2: includes cabling.

[2] With safety cover, without add-on block.

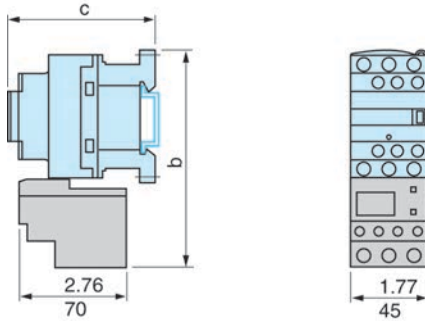
2 x LC1D115A and D150A



TeSys™ Deca Open Starter Dimensions

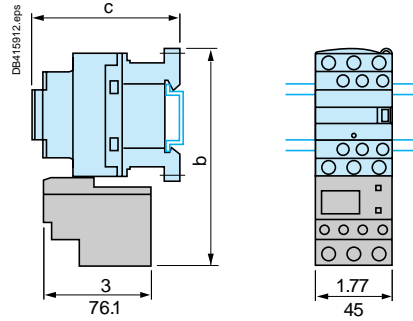
Table 17.123: TeSys Deca Thermal Overload Relay Dimensions, in. (mm)

LRD01-35
Direct mounting beneath contactors with screw clamp connections



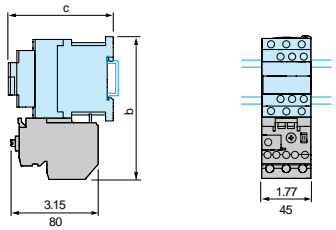
LC1•	D09-D18	D25-D38
b	4.84 (123)	5.39 (137)
c	See page 17-43	

LRD04L-32L
Direct mounting beneath contactors with screw clamp connections



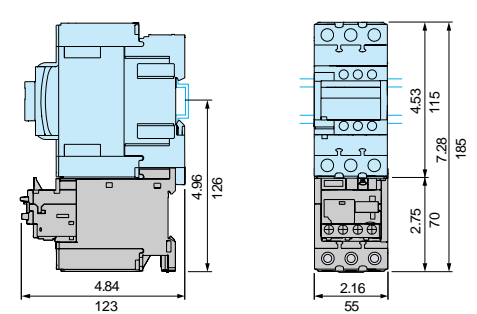
LC1•	D09-D18	D25-D38
b	4.84 (123)	5.39 (137)
c	See page 17-43	

LR9D01, 02, 08, and 32

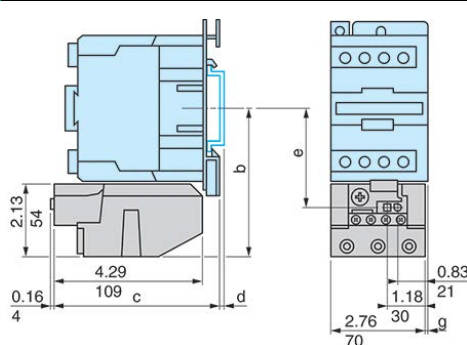


LC1•	D09-D18	D25-D38
b	5.12 (130)	5.51 (140)
c	See page 17-43	See page 17-43

LRD313-365
Direct mounting beneath LC1D40A to D65A with screw clamp connectors or EverLink connectors



LRD33...
Direct mounting beneath contactors LC1D80 to D95



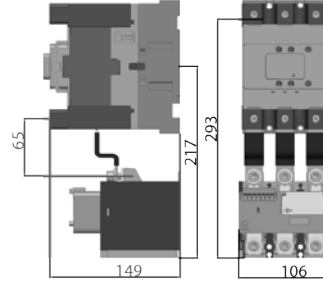
AM1•	DL201		DL200		
d	0.28 (7)		0.67 (17)		
	b	c	e	g (3P)	g (4P)
AC Control Circuit					
LC1D80	4.55 (115.5)	4.88 (124)	3.03 (76.9)	0.37 (9.5)	0.87 (22)
LC1D95	4.55 (115.5)	4.88 (124)	3.03 (76.9)	0.37 (9.5)	—
DC Control Circuit					
LP1D80	4.55 (115.5)	7.06 (179.4)	3.03 (76.9)	0.37 (9.5)	0.87 (22)

17 CONTACTORS AND STARTERS-IEC

LRD4...[3]
Direct mounting beneath contactors LC1D115A and D150A



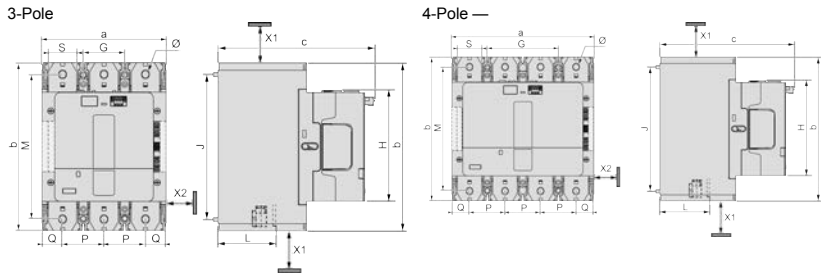
LR9G115–LR9G225[3]
Direct mounting beneath contactors LC1D115A and D150A



[3] For additional specifications and selection information, see catalog [MKTED210011EN](#).

TeSys™ Giga Contactors (Dimensions)

Table 17.124: Standard Version LC1G630...800 TeSys™ Giga High Power Contactors



All dimensions are in mm.

X1 (mm) = Minimum electrical clearance.

LC1G115...800, up to 1000 V: 40 mm.

X2 (mm) = Minimum electrical clearance according to operating voltage inside metallic cabinets/adjacent installation of contactors.

LC1G115...800, up to 600 V: 5 mm.

Table 17.125: Standard Version — 3-Pole

a	b	c	G	J	M	H	L	P	Q	S	Ø
210	284	265	70	242	244	192	107	70	35.3	48	13

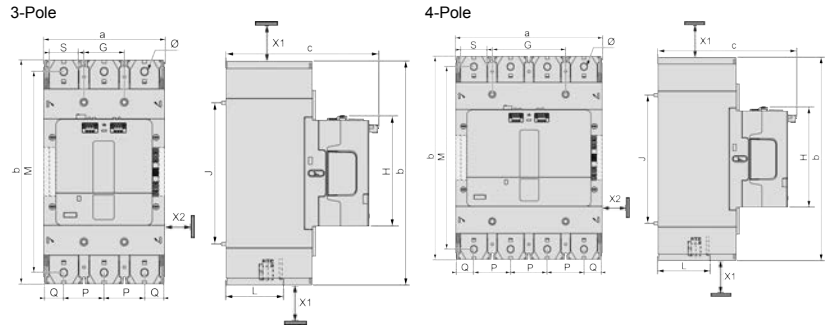
Table 17.126: Standard Version — 4-Pole

a	b	c	G	J	M	H	L	P	Q	S	Ø
280	284	265	140	242	244	192	107	70	35.3	48	13

Table 17.127: Mechanical Interlock

	Description	Reference
Mechanical Interlock (between the same frame sizes)	LC1G115 to 225 (3-Pole and 4-Pole)	LA9G970
	LC1G265 to 500 (3-Pole and 4-Pole)	
	LC1G630 to 800 (3-Pole)	LA9G973
Mechanical Interlock (between different frame sizes)	LC1G265 to 500 and LC1G115 to 225 (3-Pole and 4-Pole)	LA9G971
	LC1G630 to 800 and LC1G265 to 500 (3-Pole)	LA9G972

Table 17.128: Advanced Version LC1G630...800 TeSys™ Giga High Power Contactors



All dimensions are in mm.

X1 (mm) = Minimum electrical clearance.

LC1G115...800, up to 1000 V: 40 mm.

X2 (mm) = Minimum electrical clearance according to operating voltage inside metallic cabinets/adjacent installation of contactors.

LC1G115...800, up to 600 V: 5 mm

Table 17.129: Advanced Version — 3-Pole

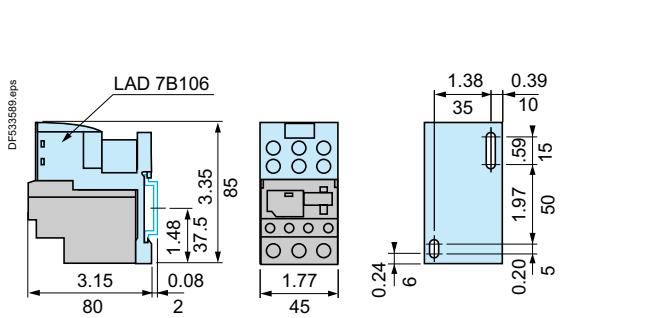
a	b	c	G	J	M	H	L	P	Q	S	Ø
210	388.5	265	70	242	346.5	192	107	70	35.3	48	13

Table 17.130: Advanced Version — 4-Pole

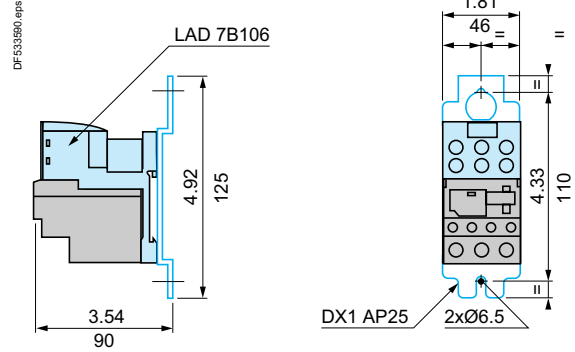
a	b	c	G	J	M	H	L	P	Q	S	Ø
280	388.5	265	140	242	346.5	192	107	70	35.3	48	13

TeSys™ Deca Thermal Overload Relay Dimensions

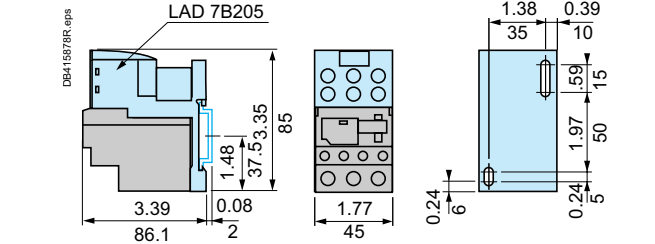
LRD01-35
Independent mounting on 1.97 in. (50 mm) centers or on rail AM1DP200 or DE200



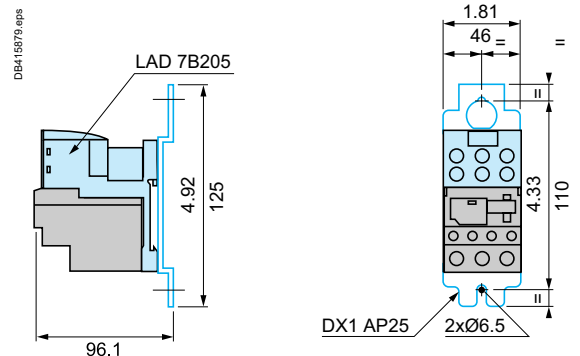
Independent mounting on 4.33 in. (110 mm) centers



LRD04L-32L
Independent mounting on 1.97 in. (50 mm) centers or on rail AM1DP200 or DE200

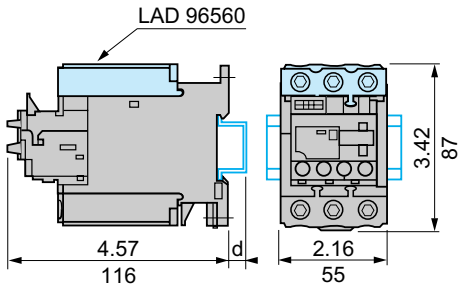


Independent mounting on 4.33 in. (110 mm) centers

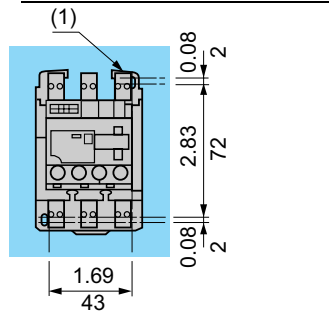


AM1	DP200	DE200
d	0.08 (2)	0.37 (9.5)

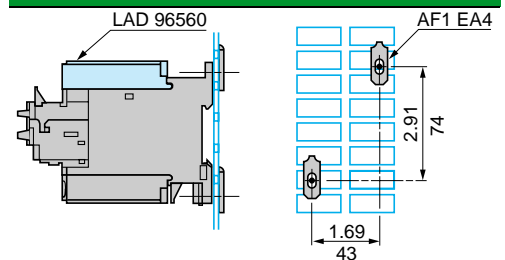
LRD313-365
Mounting on rail AM1D•200 or ED200
With terminal block LAD96560



Panel mounting
Outgoing terminal block not shown



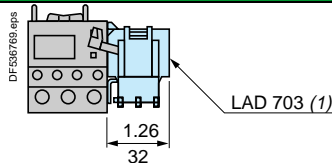
Mounted on plate AM1P



(1) 2 elongated holes Ø4.2 x 6.

AM1	DP200	DE200	ED200
d	0.08 (2)	0.37 (9.5)	0.37 (9.5)

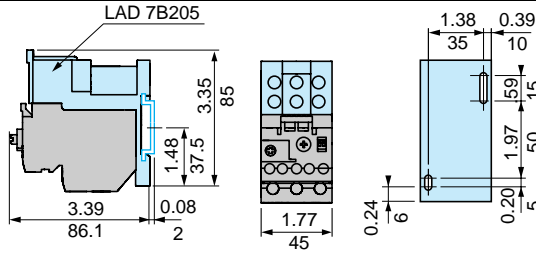
LRD01-35 and LRD313-365
Remote tripping or electrical reset



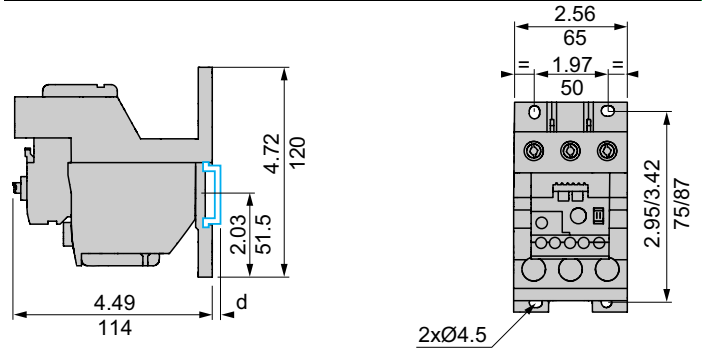
(1) Can only be mounted on RH side of relay

www.se.com/us

LR9D01-D32

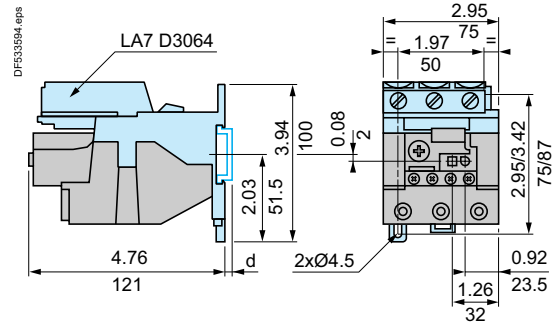


LR9D110S

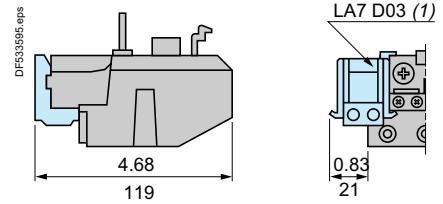


LRD3... and LR2D35...

Independent mounting on 1.97 in. (50 mm) centers or on rail AM1DP200 or DE200



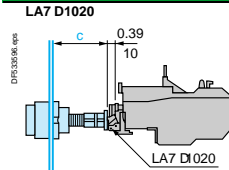
LRD3..., LR2D35..., and LR9D5
Remote tripping or electrical reset



AM1	DP200	DE200
d	0.08 (2)	0.37 (9.5)

(1) Can be mounted on RH or LH side of relay LRD3..., LR2D35..., or LR9D

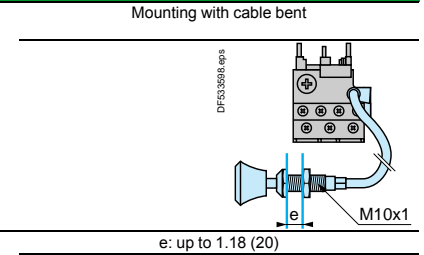
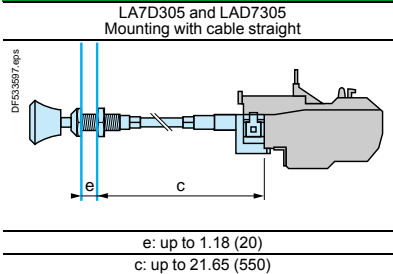
LRD3... Adapter for door-mounted operator



c: adjustable from 0.67 to 4.72 (17 to 120)

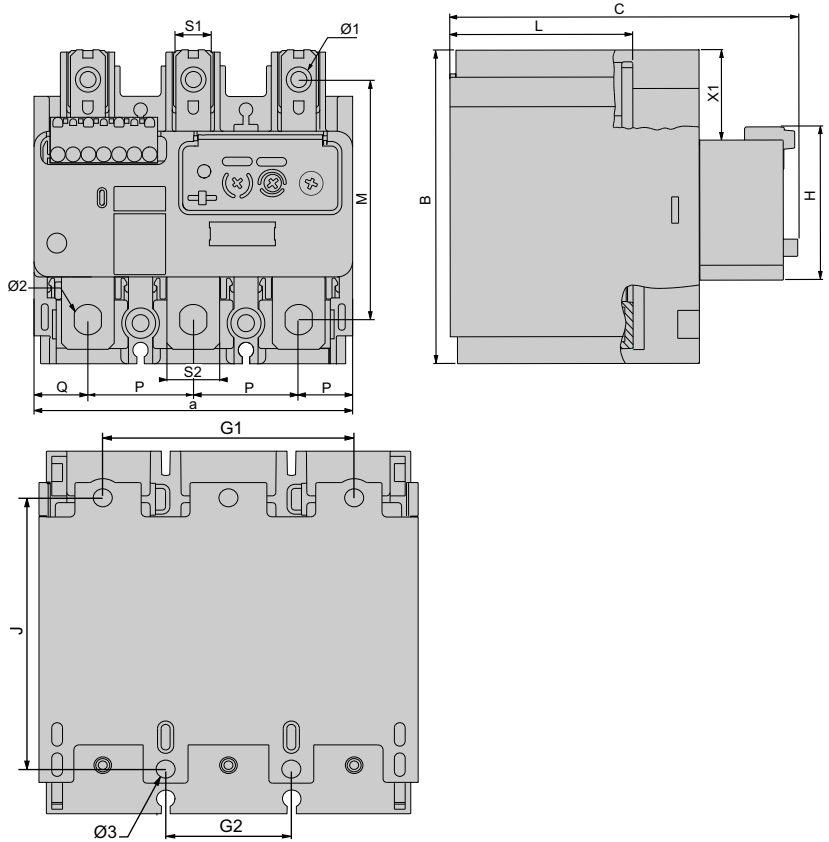


LRD, LRD313-365, LRD04-32L, LR9D5, and LR9D6
"Reset" by flexible cable



TeSys™ Giga Overload Relays (Dimensions)

Table 17.131: TeSys™ Giga Overload Relays, Dimensions — LR9G115...630

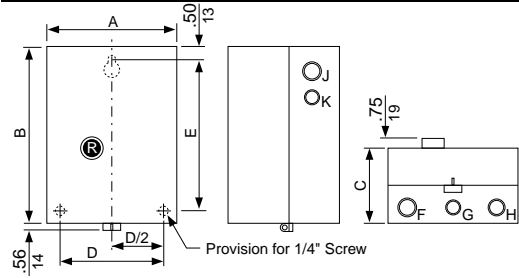


LR9G	115...225	500	630
a	105.7	140	210
b	109.55	115.65	149.45
c	126.2	139.2	185.9
G1	70	119.3	186.2
G2	35	45	70
J	80.1	68.25	87
M	78	83	100
H	52	47	47
L	66	79	107
P	35	45	70
Q	18	25	35
S1	11.5	22.5	22.5
S2	17.5	30.5	50
Ø1	8.3	10.6	13
Ø2	9	10.6	13
Ø3	5.3	5.3	8.5
X1	30	33	50

TeSys™ Deca Non-Combination Starter Dimensions

Table 17.132: Non-Combination Starter Dimensions [4]

Non-Combination Starters



		Type 1										Type 12/3R	
Non-Reversing	Reversing	A	B	C	D	E	F	G	H	J	K	D	E
D09-32	—	6.77	10.04	6.25	5.38	9.00	1-1.25	0.5-0.75	—	1-0.25	0.5-0.75	5.38	11.37
D40-65	D09-32	8.66	10.83	7.21	7.25	9.75	1.25-1.5	0.5-0.75	1-1.25	1-0.25	0.5-0.75	5.38	12.15

[4] All dimensions in inches.

TeSys™ K Contactor Dimensions

Table 17.133: TeSys K Contactor Dimensions

<p>LR2K Direct mounting under the contactor</p>	<p>Separate mounting with LA7-K0064 terminal block on 35 mm rail (AM1DP200 or AM1DE200)</p>
<p>Three-phase</p>	<p>Wiring Scheme</p>
<p>LC1, LP1, LP4K Mini-contactors On baseplate</p>	<p>LC2, LC8, LP2, LP5K Reversing mini-contactors On baseplate</p>
<p>On AM1DP200 or DE200 rail (35 mm)</p>	<p>On AM1DP200 or DE200 rail (35 mm)</p>
<p>On printed circuit board</p>	<p>On printed circuit board for reversing contactors or 2 mini-contactors side-by-side</p>
<p>LA2KT Electronic time delay contact blocks</p>	<p>On mini-contactors or reversing mini-contactors</p>

17 CONTACTORS AND STARTERS-IEC

TeSys™ Ultra Starter Dimensions

Table 17.134: TeSys Ultra Starter Dimensions

Starter Controllers		Non-Reversing [5]		Reversing			
Rail Mounting		Screw Mounting		Rail Mounting			

NOTE: Minimum electrical clearance:
X1: 35 mm for Ue = 440 V; and 70 mm for Ue = 500 and 690 V
X2: 0

Reversing Block for Mounting Separately from Power Base

	Rail Mounting	Screw Mounting

Limiter Disconnecter LUALB1 [5]

--

Door interlock Mechanisms

LU9APN43 and LU9APN44

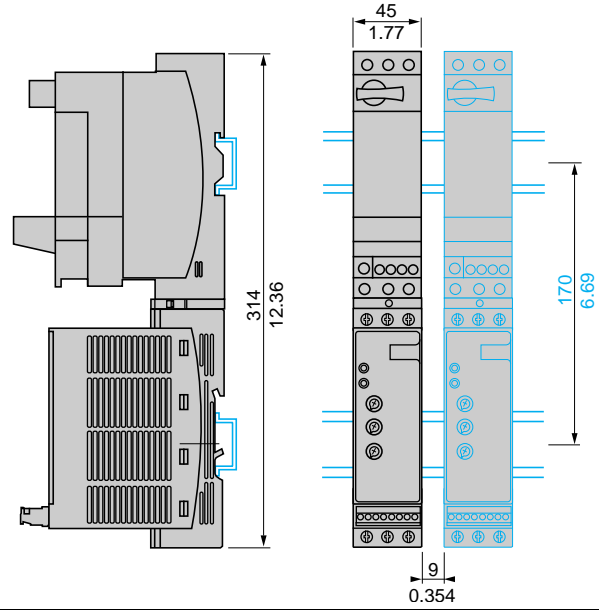
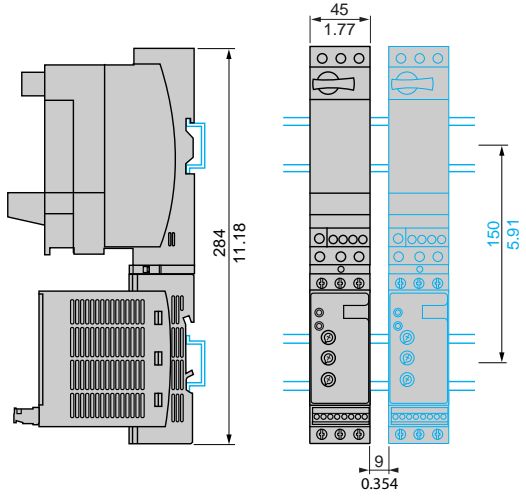
--

[5] Maximum depth (with Modbus™ communication module)

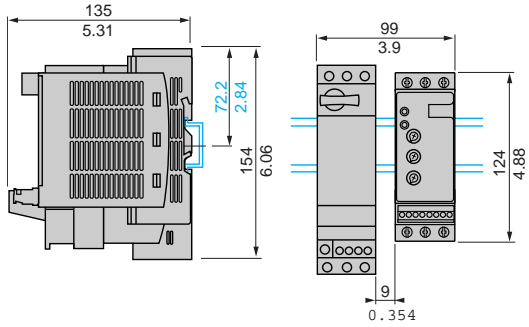
Altistart™ U01 and TeSys™ Ultra Soft Starters, Mounting

Table 17.135: Altistart U01 and TeSys Ultra Soft Starters

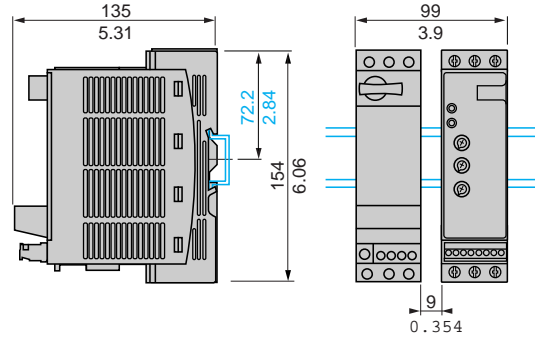
TeSys Ultra Combination (non-reversing power base) and ATSU01N212LT	TeSys Ultra Combination (non-reversing power base) and ATSU01N222LT to ATSU01N232LT
Mounting on (35 mm) rail with VW3 G4104 connector	Mounting on (35 mm) rail with VW3G4104 connector



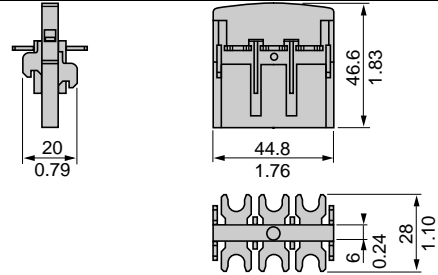
TeSys Ultra Combination (non-reversing or reversing power base) and ATSU01N2206LT to ATSU01N212LT
Side-by-side mounting



TeSys Ultra Combination (non-reversing or reversing power base) and ATSU01N222LT to ATSU01N232LT
Side-by-side mounting



VW3G4104 Power Connector



TeSys™ Deca GV2 and GV3 Manual Starter and Protector Dimensions

Table 17.136: TeSys™ Deca GV2 and GV3 Manual Starter and Protector Dimensions

GV2M	GV2AD, AM, AN, AU, AS, AX	GV2AE	Mounting of GV2M
			<p>On 35 mm L rail C = 78.5 mm (3.09") on AM1DP200 (35 x 7.5 mm) C = 86 mm (3.39") on AM1DE200, ED200 (35 x 15 mm)</p>

GV2P	GV2AD, AM, AN, AU, AS, AX	GV2AK00	Mounting of GV2P
			<p>On 35 mm L rail C = 98.5 mm (3.88") on AM1DP200 (35 x 7.5 mm) C = 106 mm (4.17") on AM1DE200, ED200 (35 x 15 mm)</p>

GV2AF4 + LAD31	GV2P + GV2GH7	GV2P + GV2GH7 + LC1D TeSys Deca contactor
<p>Combination GV2ME + LC1D TeSys Deca range contactor</p>	<p>Combination GV2P + LC1D TeSys Deca range contactor</p>	<p>for UL 508 Type E application</p>

GV2ME +	LC2D09 to D18	LC2D25 and D32	GV2P +	LC2D09 to D18	LC2D25 and D32
b	7.4 (188.6)	7.8 (199)	b	6.61 (168.1)	7.9 (199.5)
c1	3.6 (92.7)	3.9 (99)	c1	4.6 (116.8)	4.6 (116.8)
c	3.9 (98.2)	4.11 (104.5)	c	4.8 (122.3)	4.8 (122.3)
d1	3.9 (98.3)	3.9 (98.3)	—	—	—
d	4.1 (103.8)	1.4 (103.8)	—	—	—

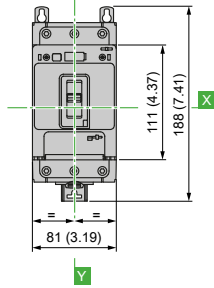
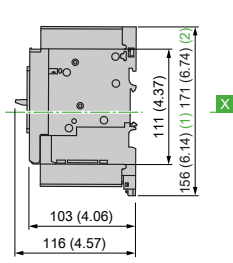
Surface mounting enclosure GV2MC0•	Flush mounting enclosure GV2MP0• (bracket cut-out)
<p>4 knock-outs for 16 mm plastic cable glands or no. 16 conduit.</p>	

GV2	b		b1	
	in.	mm	in.	mm
MP01, MP02	5.51	140	5.00	127
MP03, MP04	5.24	133	4.61	117

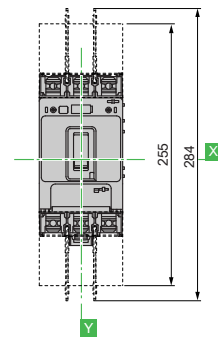
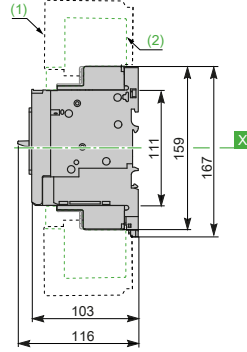
TeSys Power Motor Circuit Breakers Dimensions

BV4 With Toggle

With EverLink Connector

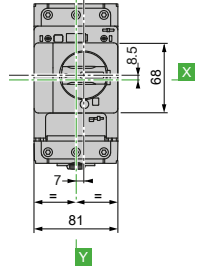
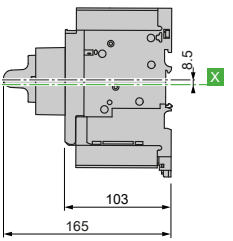


With Crimp Lug Connector

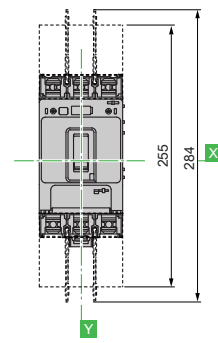
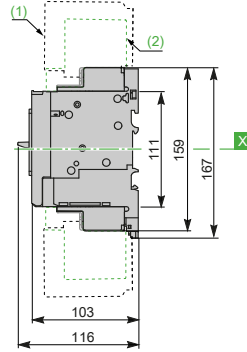


GV4PB

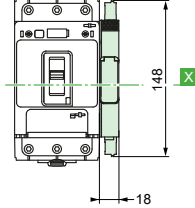
With EverLink Connector



With Crimp Lug Connector

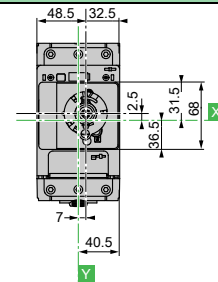
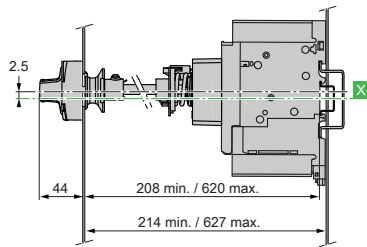


SDx Module



BV4 and GV4PB With Extended Rotary Handle

Front extended rotary handle GV4APN01, GV4APN02, GV4APN04



Front and side extended rotary handle, door/side panel cut-out

Front and side extended rotary handle

IP65, door panel cut-out

IP54, door/side panel cut-out

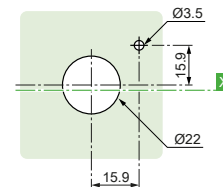
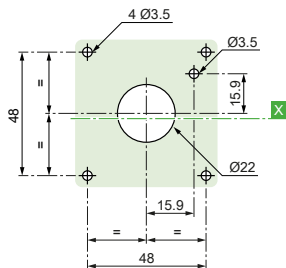
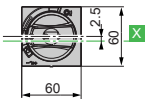
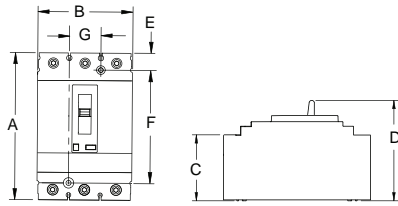


Table 17.138: GV5PB and GV6PB Motor Protective Circuit Breakers

Circuit Breaker Frame	Dimensions — Inches						
	A	B	C	D	E	F	G
GV5PB150	6.40	4.12	2.87	4.36	0.74	1.92	1.38
GV5PB250	7.52	4.12	2.87	5.00	1.30	4.92	1.38
GV6PB	13.38	5.51	3.75	6.61	2.22	7.87	1.77

GV5PB



GV6PB

