

**GENERAL NOTES**

- FLOOR MOUNTED ENCLOSURE.  
TYPE 3R CONSTRUCTED FROM CODE GAUGE STEEL.  
FINISH: TYPE 3R, ANSI 61 GRAY POLYESTER SEMI GLOSS ELECTROSTATIC POWDER.  
TYPE 3RX EXTERIOR CONSTRUCTED FROM CODE GAUGE STAINLESS STEEL.  
(R) EXTERIOR CONSTRUCTED FROM TYPE 304 STAINLESS STEEL.  
(S) EXTERIOR CONSTRUCTED FROM TYPE 316 STAINLESS STEEL.
- EXTERIOR DOORS HAVE PADLOCKABLE HANDLES WITH 3-POINT LATCH
- DESIGNED FOR FRONT ACCESS ONLY.
- RECOMMENDED CLEARANCES: FRONT: 38" [965mm] REAR: NONE.
- LIFTING PLATES: SECTIONS ARE SUPPLIED WITH LIFTING PLATES. INSPECT PLATES FOR DAMAGE AND TORQUE BOLTS TO 45 FT LBS [61 Nm] BEFORE USE. REFER TO ANSI/NEMA PB 2.1 FOR PROPER HANDLING OF EQUIPMENT. AFTER INSTALLATION OF SECTION, REMOVE LIFTING PLATES. REINSTALL BOLTS INTO EXTERIOR HOLES AND TORQUE TO APPROXIMATELY 20 FT LBS [27 Nm].
- CENTER OF GRAVITY
- APPROXIMATE WEIGHT: 1425 LB [646 KG]

**SYSTEM NOTES**

- SYSTEM RATING: 100 AMPS-400 AMPS.  
SOURCE 1 (NORMAL) SHORT CIRCUIT RATING: 125,000 RMS SYM @ 240V  
100,000 RMS SYM @ 480V  
SOURCE 2 (EMERGENCY) SHORT CIRCUIT RATING: 65,000 RMS SYM @ 240V  
42,000 RMS SYM @ 480V (SWITCHED AND SOLID NEUTRAL)  
35,000 RMS SYM @ 480V (OVERLAPPING NEUTRAL).  
SOURCE 2 (EMERGENCY) SHORT CIRCUIT RATING MAY BE INCREASED BY UTILIZING A SPECIFIC OVERCURRENT PROTECTIVE DEVICE AS LISTED ON THE TRANSFER SWITCH.
- ALL BUS IS SILVER-PLATED COPPER, BASED ON 1000A PER SQ. IN. DENSITY.
- GROUND: 20% RATED.
- NEUTRAL: 100% RATED.
- APPLICABLE LABEL(S): U.L. 1008, SUITABLE ONLY FOR USE AS SERVICE EQUIPMENT.

**TRANSFER SWITCH**

- J FRAME AUTOMATIC TRANSFER SWITCH.
- TRANSFER SWITCH RATING: 100 AMPS-400 AMPS.  
SHORT CIRCUIT RATING WHEN PROTECTED BY A CIRCUIT BREAKER  
TIME RESPONSE, MAXIMUM 0.05 SECONDS:  
42,000 RMS SYM @ 480V (SWITCHED AND SOLID NEUTRAL).  
35,000 RMS SYM @ 480V (OVERLAPPING NEUTRAL).  
65,000 RMS SYM @ 240V (SWITCHED, SOLID AND OVERLAPPING NEUTRAL).
- A FULL RATED NEUTRAL CONNECTION FOR EACH SOURCE AND THE LOAD IS OPTIONAL.  
WHEN PROVIDED IT IS IN ONE OF THE FOLLOWING FORMATS.  
A. SOLID NEUTRAL  
B. SWITCHED NEUTRAL POLE  
C. OVERLAPPING NEUTRAL POLE (NOT AVAILABLE ON CLOSED OR DELAYED TRANSITION)
- UL 1008 OR CSA C22.2 NO.178.1

**TERMINATIONS 100A-150A**

- SUPPLIED WITH MECHANICAL (SCREW TYPE) LUGS FOR CU/AL CABLE.  
SOURCE 1 (NORMAL): (1) #4-3/0 PER PHASE PHASE & NEUTRAL  
LOAD: (1) #4 - 600MCM OR (2) 1/0 - 250MCM PER PHASE & NEUTRAL  
SOURCE 2 (EMERGENCY): (1) #4 - 600MCM OR (2) 1/0 - 250MCM PER PHASE & NEUTRAL  
GROUND: (3) #4 - 600MCM OR (6) 1/0 - 250MCM.  
A. SUITABLE WIRE BENDING SPACE IS PROVIDED AS PER NEC.
- OPTIONAL LUGS MAY BE SUPPLIED.

**TERMINATIONS 175A**

- SUPPLIED WITH MECHANICAL (SCREW TYPE) LUGS FOR CU/AL CABLE.  
SOURCE 1 (NORMAL): (1) #4-4/0 PER PHASE PHASE & NEUTRAL  
LOAD: (1) #4 - 600MCM OR (2) 1/0 - 250MCM PER PHASE & NEUTRAL  
SOURCE 2 (EMERGENCY): (1) #4 - 600MCM OR (2) 1/0 - 250MCM PER PHASE & NEUTRAL  
GROUND: (3) #4 - 600MCM OR (6) 1/0 - 250MCM.  
A. SUITABLE WIRE BENDING SPACE IS PROVIDED AS PER NEC.
- OPTIONAL LUGS MAY BE SUPPLIED.

**TERMINATIONS 200A-250A**

- SUPPLIED WITH MECHANICAL (SCREW TYPE) LUGS FOR CU/AL CABLE.  
SOURCE 1 (NORMAL): (1) 3/0 - 350MCM PER PHASE PHASE & NEUTRAL  
LOAD: (1) #4 - 600MCM OR (2) 1/0 - 250MCM PER PHASE & NEUTRAL  
SOURCE 2 (EMERGENCY): (1) #4 - 600MCM OR (2) 1/0 - 250MCM PER PHASE & NEUTRAL  
GROUND: (3) #4 - 600MCM OR (6) 1/0 - 250MCM.  
A. SUITABLE WIRE BENDING SPACE IS PROVIDED AS PER NEC.
- OPTIONAL LUGS MAY BE SUPPLIED.

**TERMINATIONS 400A**

- SUPPLIED WITH MECHANICAL (SCREW TYPE) LUGS FOR CU/AL CABLE.  
SOURCE 1 (NORMAL): (2) 2/0 - 250MCM PER PHASE & NEUTRAL  
LOAD: (1) #4 - 600MCM OR (2) 1/0 - 250MCM PER PHASE & NEUTRAL  
SOURCE 2 (EMERGENCY): (1) #4 - 600MCM OR (2) 1/0 - 250MCM PER PHASE & NEUTRAL  
GROUND: (3) #4 - 600MCM OR (6) 1/0 - 250MCM.  
A. SUITABLE WIRE BENDING SPACE IS PROVIDED AS PER NEC.
- OPTIONAL LUGS MAY BE SUPPLIED.

**CIRCUIT BREAKER: ITEM 52U**

- SQUARE "D" 80% RATED TYPE "HLL", 150AF/100AT, 150AF/150AT  
MANUALLY OPERATED, THERMAL MAGNETIC TRIP SETTINGS.  
SHORT CIRCUIT RATING: AIC 100,000 RMS SYM @ 480V
- OPTIONAL 100% RATED.
- U.L. 489

**CIRCUIT BREAKER: ITEM 52U**

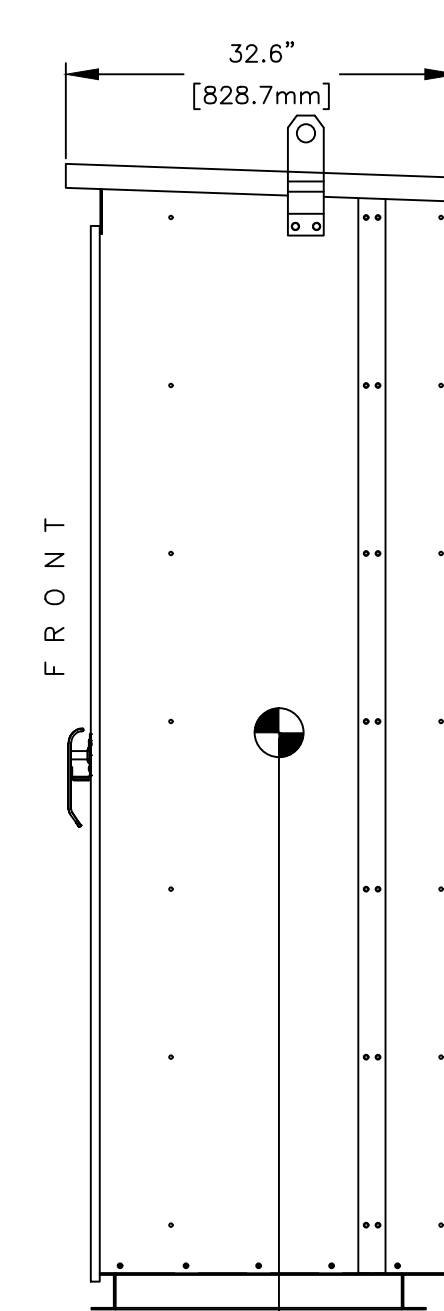
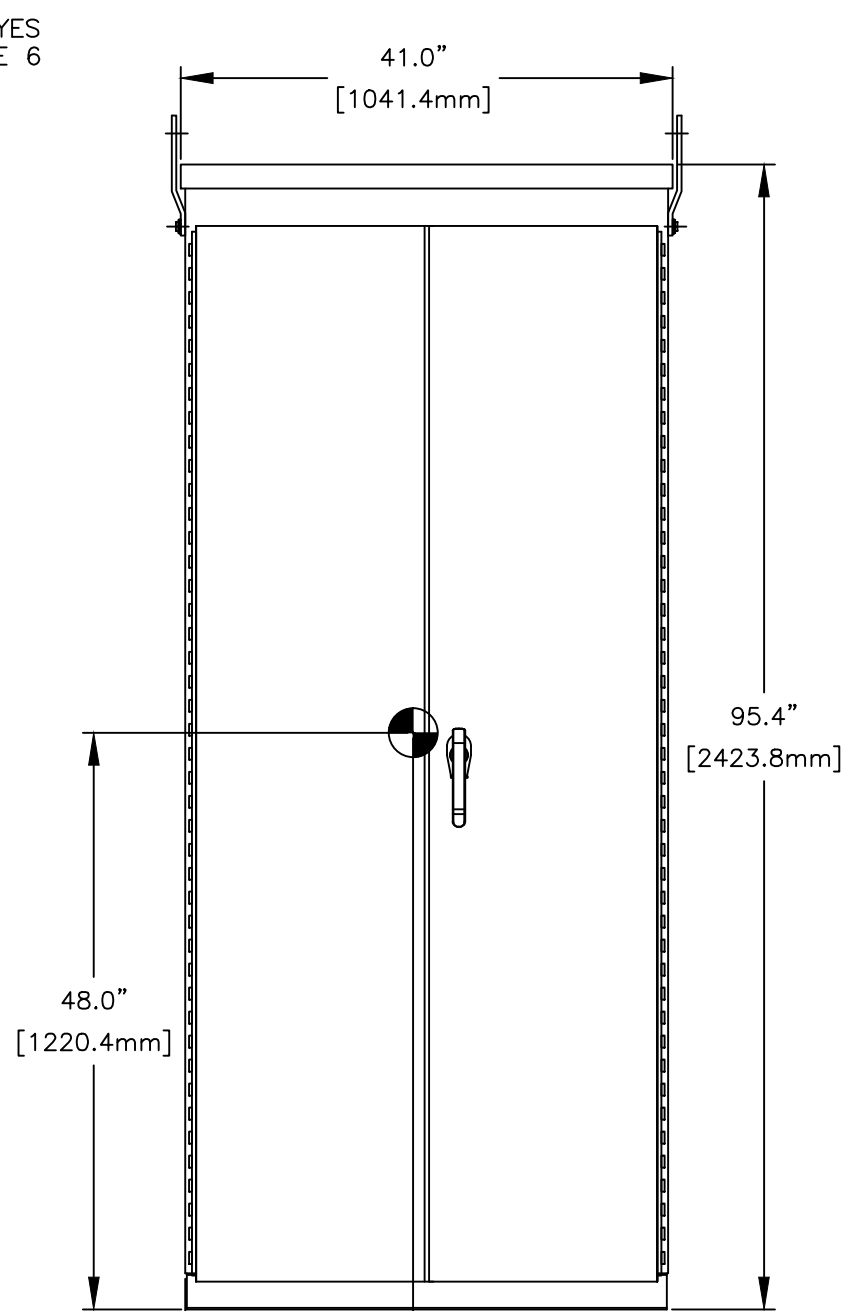
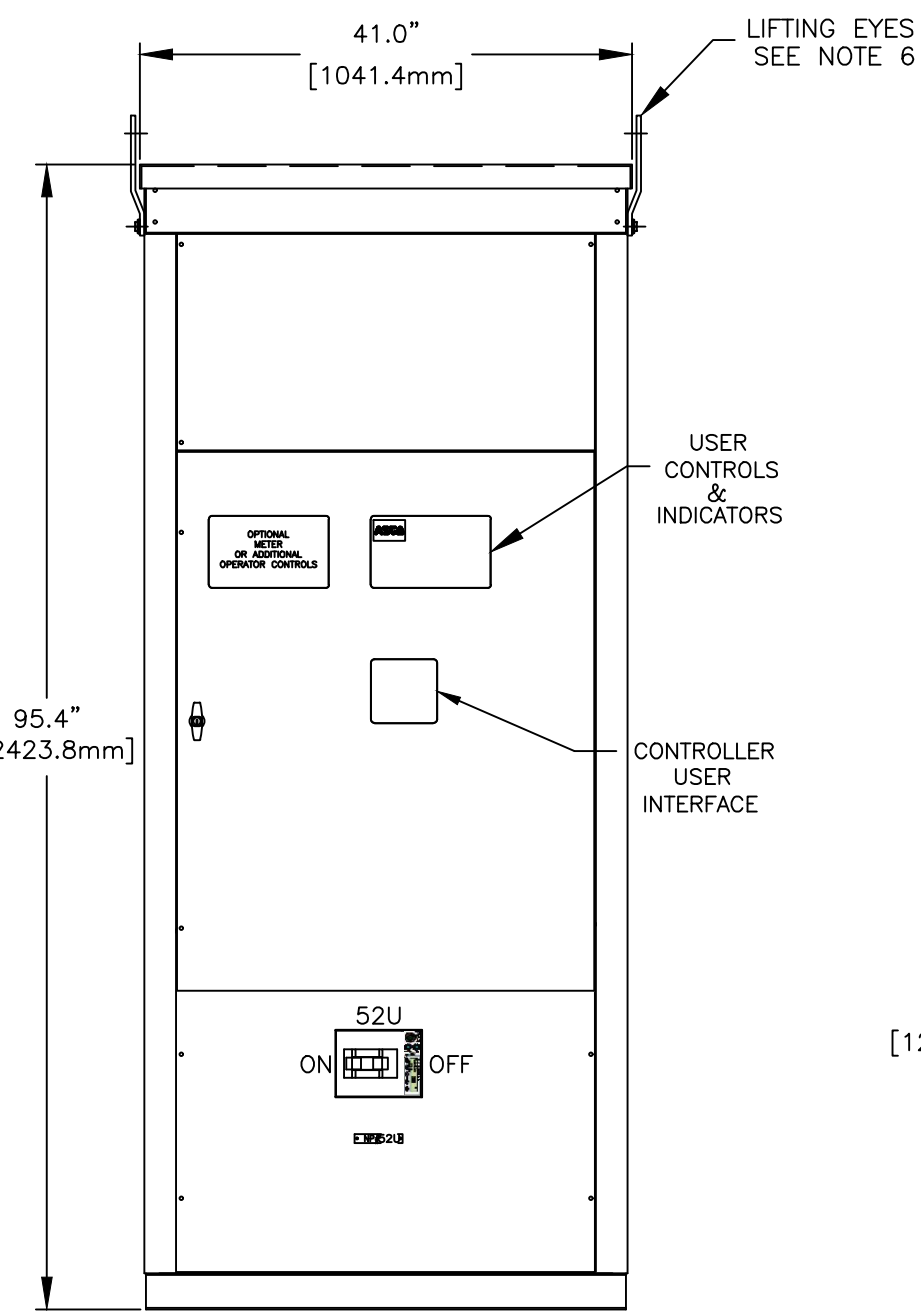
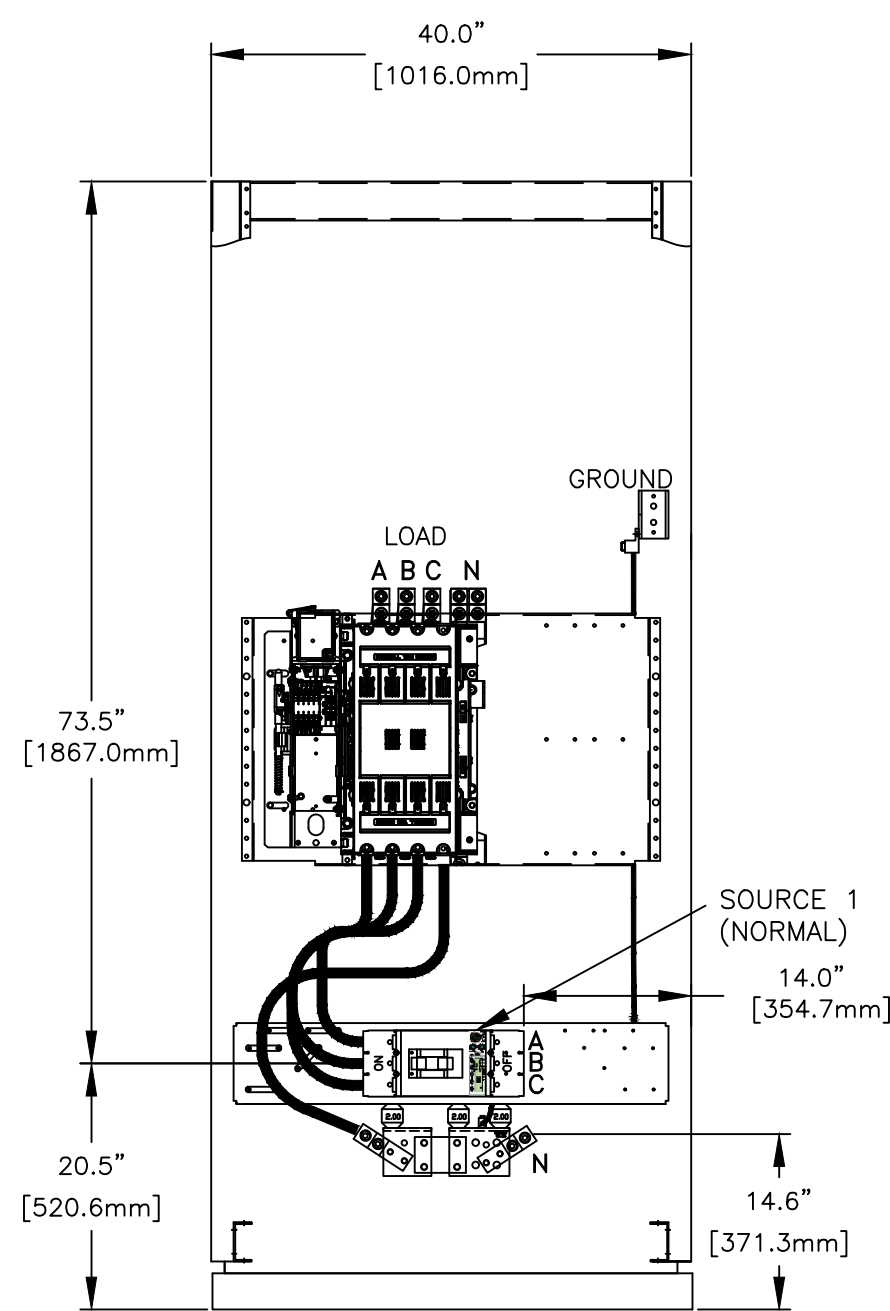
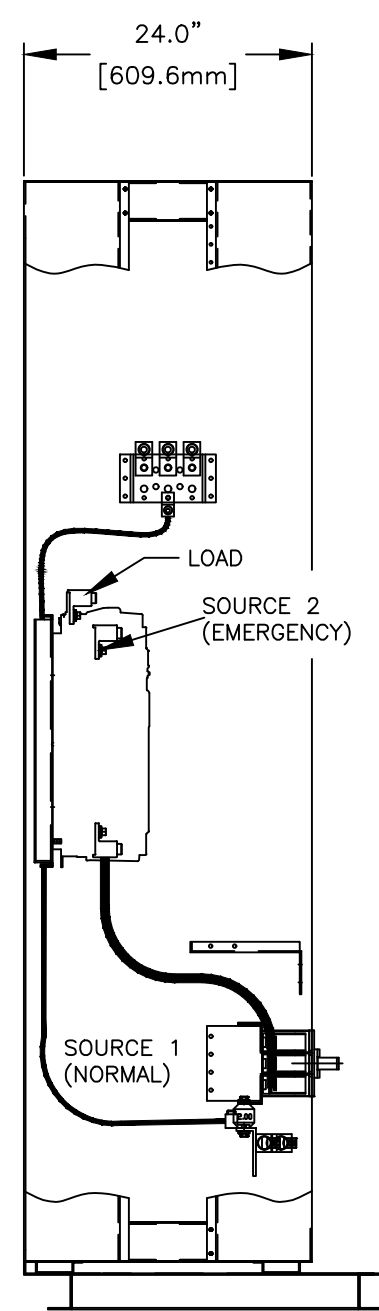
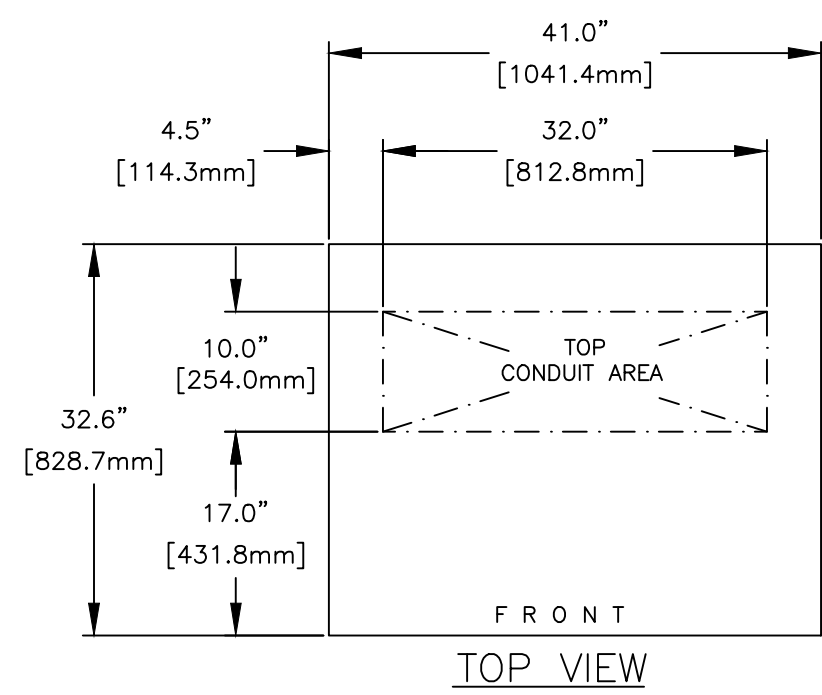
- SQUARE "D" 80% RATED TYPE "JLL", 250AF/175AT, 250AF/200AT,  
250AF/225AT, 250AF/250AT  
MANUALLY OPERATED, THERMAL MAGNETIC TRIP SETTINGS.  
SHORT CIRCUIT RATING: AIC 100,000 RMS SYM @ 480V
- OPTIONAL 100% RATED.
- U.L. 489

**CIRCUIT BREAKER: ITEM 52U**

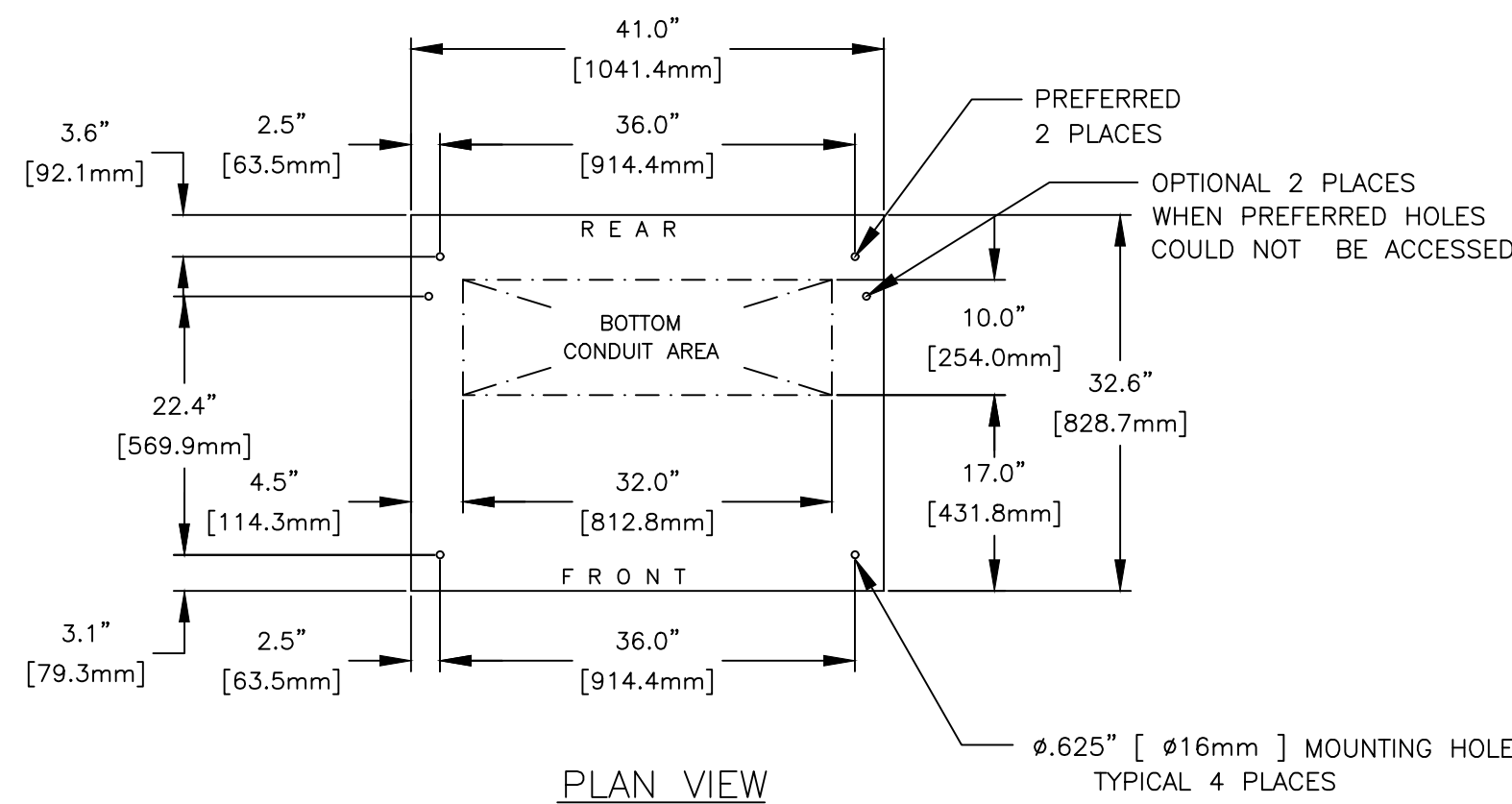
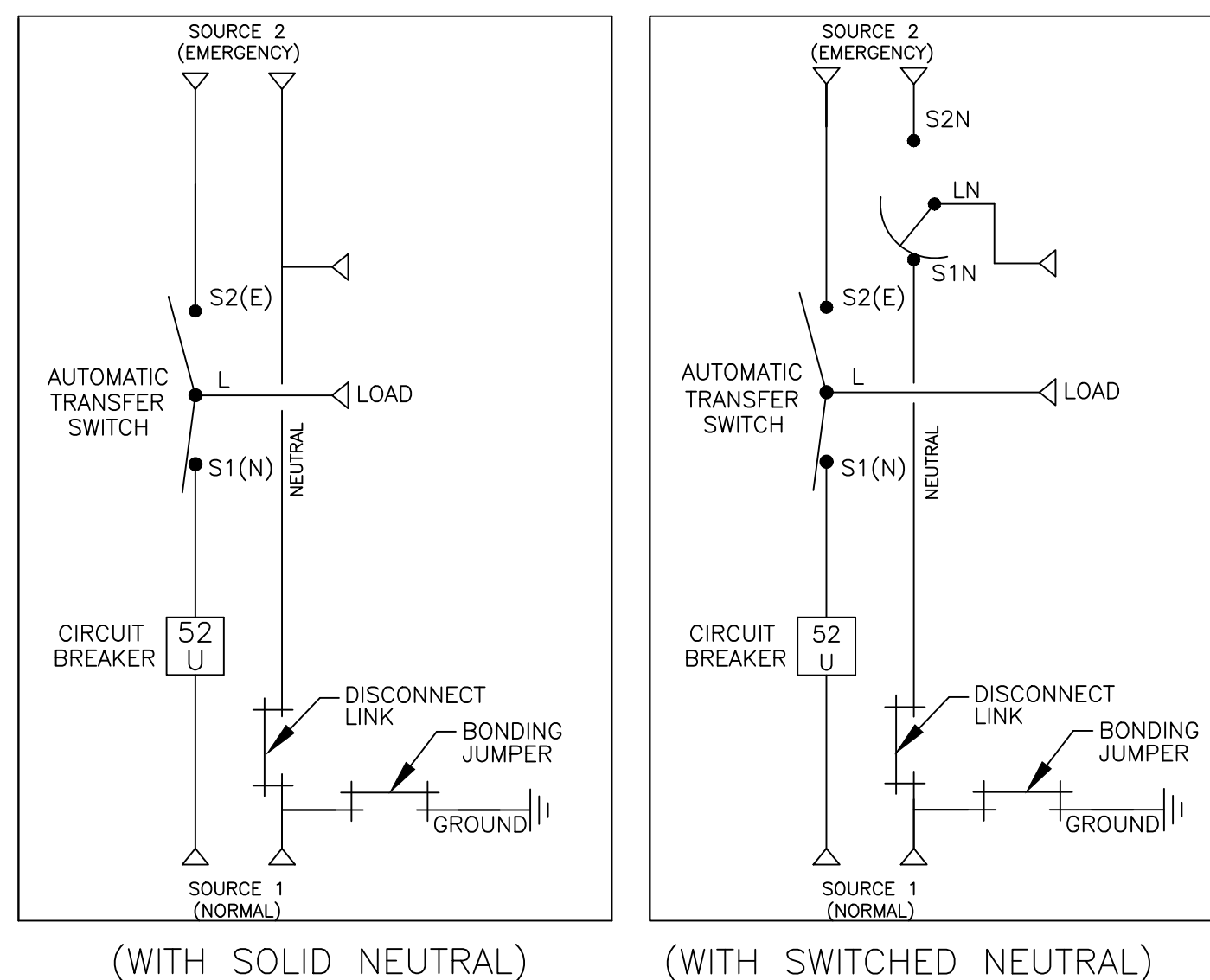
- SQUARE "D" 80% RATED TYPE "LLL", MOLDED CASE CIRCUIT BREAKER, 600AF/400AT MANUALLY OPERATED,  
ELECTRONIC TRIP UNIT WITH LONG AND INSTANTANEOUS TRIP SETTINGS.  
SHORT CIRCUIT RATING: AIC 100,000 RMS SYM @ 480V
- OPTIONAL 100% RATED.
- U.L. 489

**WIRING/CABLING**

- USE 90° MINIMUM CU/AL WIRE FOR POWER CABLES.
- WIRE SIZE TO BE BASED ON AMPACITY OF 75°C WIRE.
- USE 60° MINIMUM CU WIRE FOR CONTROLS.



**ONE LINE DIAGRAMS**



SEE TABLE 1 FOR METRIC TERMINATIONS

TABLE 1	
14 AWG	2.5mm <sup>2</sup>
6 AWG	16mm <sup>2</sup>
4 AWG	25mm <sup>2</sup>
1/0 AWG	50mm <sup>2</sup>
2/0 AWG	70mm <sup>2</sup>
3/0 AWG	95mm <sup>2</sup>
4/0 AWG	120mm <sup>2</sup>
250 MCM	120mm <sup>2</sup>
300 MCM	150mm <sup>2</sup>
350 MCM	185mm <sup>2</sup>
400 MCM	240mm <sup>2</sup>
500 MCM	240mm <sup>2</sup>
600 MCM	300mm <sup>2</sup>
750 MCM	400mm <sup>2</sup>

PROJECT NAME:		A 307159 NIK MCH 1/12/24	
OUTLINE		SEE ECN	
MOUNTING		- 304989 YK MCH 08-25-23	
JAUS 100A-400A, HL/JL/LL SE BREAKER ON SOURCE 1 (NORMAL)		NEW ISSUE	
TYPE 3R/3RX 96 X 41 X 33		REV. TO SHEET	
BY	DATE	MANUFACTURING TOLERANCES TO BE IN ACCORDANCE WITH ASCO PROCEDURE MP-1-003. FOR PLASTIC PARTS SEE MP-1-055	ASSEM. REF. NO.
VW	08-25-23	PROPERTY OF ASCO POWER TECHNOLOGIES. USE PERMITTED FOR OUR WORK ONLY. ALL RIGHTS OF DESIGN OR INVENTION ARE RESERVED.	COMPUTER GENERATED DRAWING
CHECKED	MCH	SCALE 1/16" = 1" SIZE DS	DWG. NO.
PROJECT APPROVAL		805717-037	805717-037
FINAL APPROVAL		ASCO POWER TECHNOLOGIES, LP. FLORHAM PARK, NEW JERSEY 07932 U.S.A.	DRAWING A
			ECN NO. 307159
			SHEET 1 OF 1