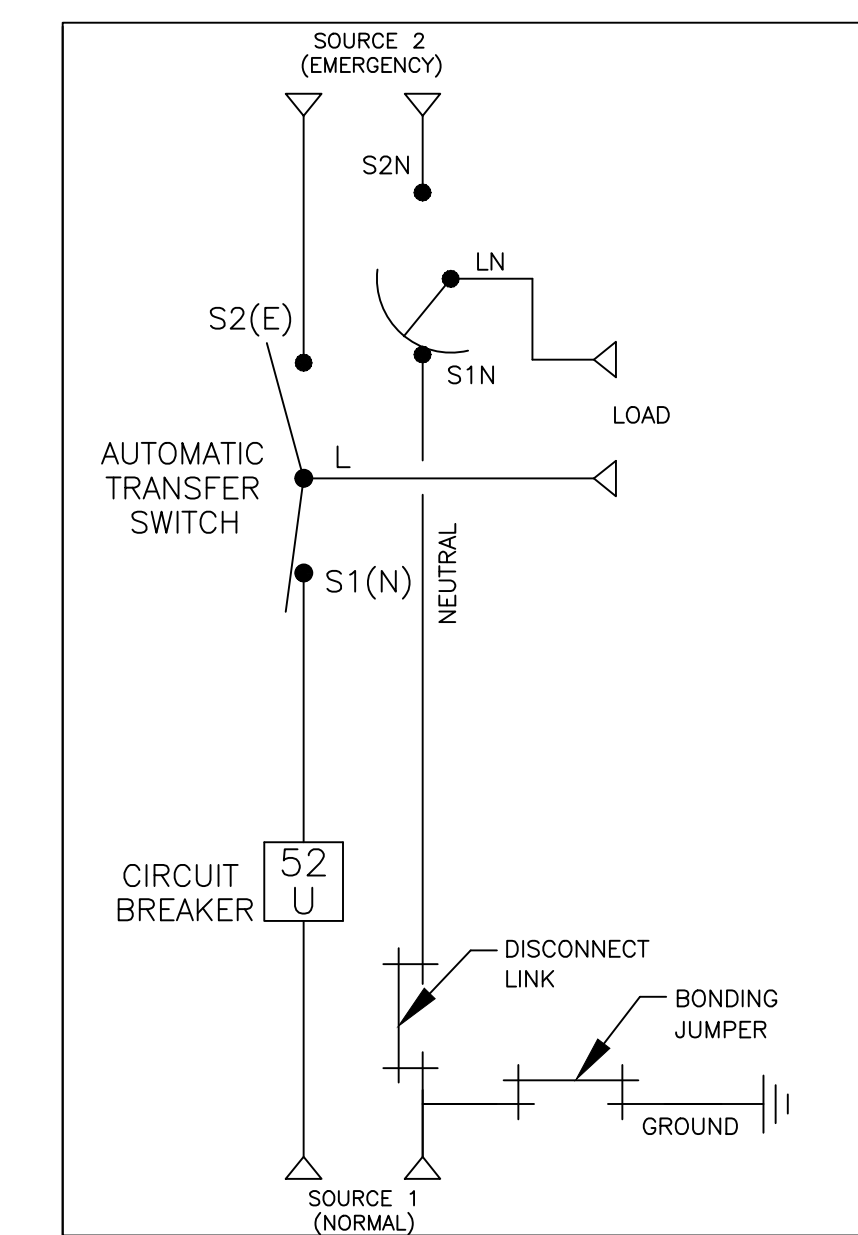
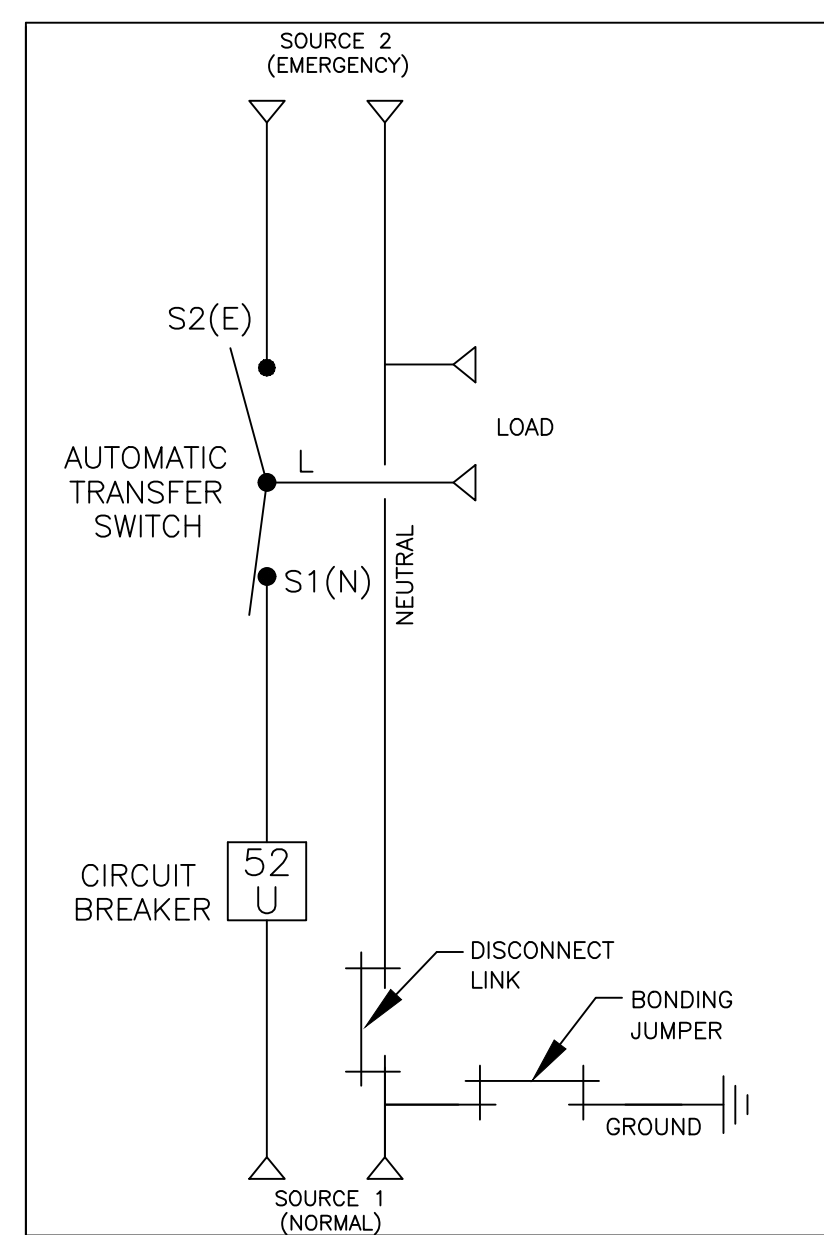
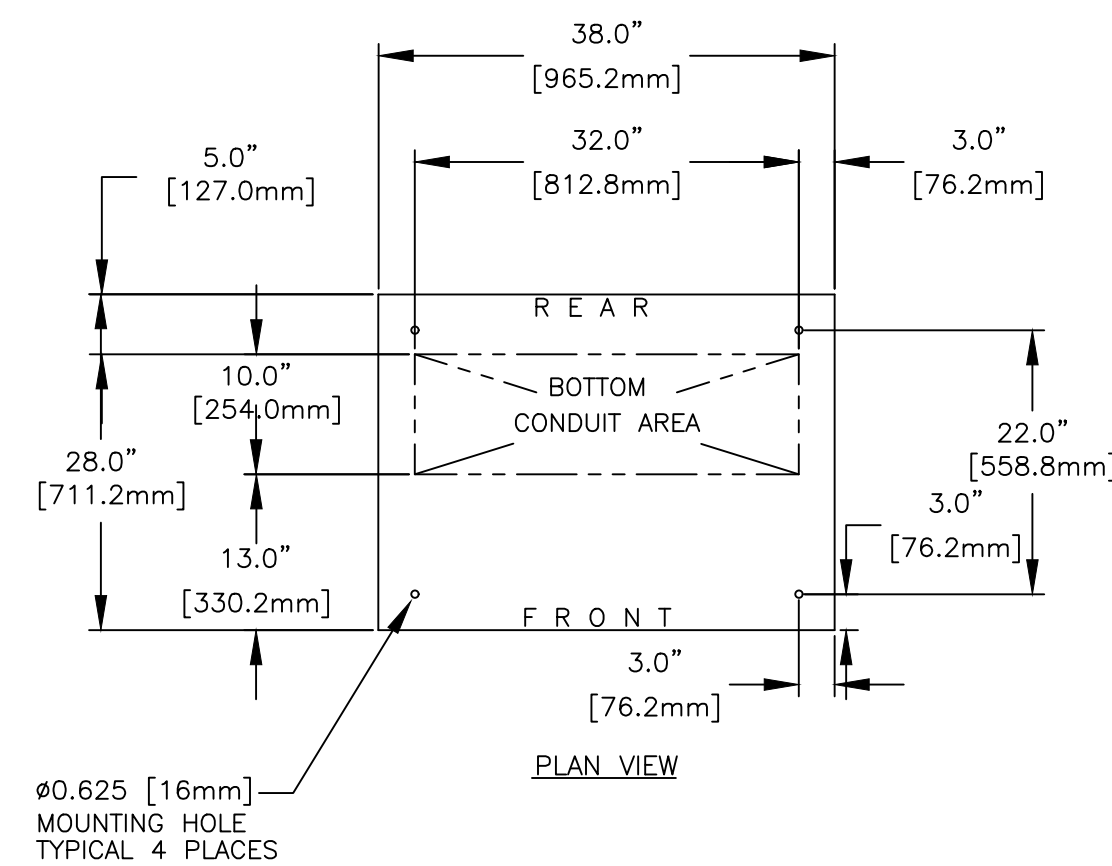


ONE LINE DIAGRAMS



(WITH SOLID NEUTRAL)

(WITH SWITCHED/OVERLAPPING NEUTRAL)



GENERAL NOTES

- FLOOR MOUNTED ENCLOSURE.  
TYPE 1 CONSTRUCTED FROM CODE GAUGE STEEL.  
FINISH: ANSI 61 GRAY POLYESTER SEMI GLOSS ELECTROSTATIC POWDER.
- DOORS EQUIPPED WITH KEY LOCKABLE HANDLE AND CAPTIVE SCREWS.
- DESIGNED FOR FRONT ACCESS.
- RECOMMENDED CLEARANCES: FRONT: 36" [914mm] REAR: NONE.
- CENTER OF GRAVITY
- APPROXIMATE WEIGHT: 985 LBS [447 KG].

SYSTEM NOTES

- SYSTEM RATING: 600 AMPS.  
SOURCE 1 (NORMAL) SHORT CIRCUIT RATING: 125,000 RMS SYM @ 240V  
100,000 RMS SYM @ 480V  
SOURCE 2 (EMERGENCY) SHORT CIRCUIT RATING: 65,000 RMS SYM @ 240V  
42,000 RMS SYM @ 480V (SWITCHED AND SOLID NEUTRAL).  
35,000 RMS SYM @ 480V (OVERLAPPING NEUTRAL).  
SOURCE 2 (EMERGENCY) SHORT CIRCUIT RATING MAY BE INCREASED BY UTILIZING A SPECIFIC OVERCURRENT PROTECTIVE DEVICE AS LISTED ON THE TRANSFER SWITCH.
- ALL BUS IS SILVER-PLATED COPPER, BASED ON 1000A PER SQ. IN. DENSITY.
- GROUND: 20% RATED.
- NEUTRAL: 100% RATED.
- APPLICABLE LABEL(S): U.L. 1008, SUITABLE ONLY FOR USE AS SERVICE EQUIPMENT.

TRANSFER SWITCH

- J FRAME AUTOMATIC TRANSFER SWITCH.
- TRANSFER SWITCH RATING: 600 AMPS.  
SHORT CIRCUIT RATING WHEN PROTECTED BY A CIRCUIT BREAKER  
TIME RESPONSE, MAXIMUM 0.05 SECONDS:  
42,000 RMS SYM @ 480V (SWITCHED AND SOLID NEUTRAL).  
35,000 RMS SYM @ 480V (OVERLAPPING NEUTRAL).
- A FULL RATED NEUTRAL CONNECTION FOR EACH SOURCE AND THE LOAD IS OPTIONAL. WHEN PROVIDED IT IS IN ONE OF THE FOLLOWING FORMATS.  
A. SOLID NEUTRAL  
B. SWITCHED NEUTRAL POLE  
C. OVERLAPPING NEUTRAL POLE (NOT AVAILABLE ON CLOSED OR DELAYED TRANSITION)
- UL 1008 OR CSA C22.2 NO.178.1

TERMINATIONS 600A

- SUPPLIED WITH MECHANICAL (SCREW TYPE) LUGS FOR CU/AL CABLE.  
SOURCE 1 (NORMAL): (2) 3/0 - 500MCM PER PHASE & NEUTRAL  
LOAD: (2) 3/0 - 600MCM PER PHASE & NEUTRAL  
SOURCE 2 (EMERGENCY): (2) 3/0 - 600MCM PER PHASE & NEUTRAL  
GROUND: (6) 1/0 - 600MCM.  
A. SUITABLE WIRE BENDING SPACE IS PROVIDED AS PER NEC.
- OPTIONAL LUGS MAY BE SUPPLIED.

CIRCUIT BREAKER: ITEM 52U

- SQUARE "D" 80% RATED TYPE 'LLL', MOLDED CASE CIRCUIT BREAKER, 600AF/600AT MANUALLY OPERATED, ELECTRONIC TRIP UNIT WITH LONG AND INSTANTANEOUS TRIP SETTINGS.  
SHORT CIRCUIT RATING: AIC 100,000 RMS SYM @ 480V.
- NOT AVAILABLE AT 100% RATED
- U.L. 489

WIRING/CABLING

- USE 90°C MINIMUM CU/AL WIRE FOR POWER CABLES.
- WIRE SIZE TO BE BASED ON AMPACITY OF 75°C WIRE.
- USE 60°C MINIMUM CU WIRE FOR CONTROLS.

SEE TABLE 1 FOR METRIC TERMINATIONS

TABLE 1	
14 AWG	2.5mm <sup>2</sup>
6 AWG	16mm <sup>2</sup>
4 AWG	25mm <sup>2</sup>
1/0 AWG	50mm <sup>2</sup>
2/0 AWG	70mm <sup>2</sup>
3/0 AWG	95mm <sup>2</sup>
4/0 AWG	120mm <sup>2</sup>
250 MCM	120mm <sup>2</sup>
300 MCM	150mm <sup>2</sup>
350 MCM	185mm <sup>2</sup>
400 MCM	240mm <sup>2</sup>
500 MCM	240mm <sup>2</sup>
600 MCM	300mm <sup>2</sup>
750 MCM	400mm <sup>2</sup>

A	307157	NIK	MCH	01/12/24
	SEE ECN			
	304735	NIK	MCH	08/02/23
	NEW ISSUE			

PROJECT NAME:		COMPUTER GENERATED DRAWING	
OUTLINE		MOUNTING	
JAUS 600A, 80% RATED LL SE BREAKER ON SOURCE 1 (NORMAL)			
TYPE 1 91 X 38 X 28			
SCALE 1/16" = 1" SIZE DS	THIRD ANGLE PROJECTION		
DRAWN BY	BY	DATE	MANUFACTURING TOLERANCES TO BE IN ACCORDANCE WITH ASCO PROCEDURE MP-1-003. FOR PLASTIC PARTS SEE MP-1-055
CHECKED	NIK	08/02/23	ASSEM. REF. NO.
PROJECT APPROVAL	MCH		PROPERTY OF ASCO POWER TECHNOLOGIES. USE PERMITTED FOR OUR WORK ONLY. ALL RIGHTS OF DESIGN OR INVENTION ARE RESERVED.
FINAL APPROVAL			ASCO POWER TECHNOLOGIES, LP. FLOHAM PARK, NEW JERSEY 07932 U.S.A.
DWG. NO.	805717-001	DRAWING A	ECN NO. 307157
REV.			SHEET 1 OF 1