

GENERAL NOTES

- FLOOR MOUNTED ENCLOSURE.
TYPE 4 CONSTRUCTED FROM CODE GAUGE STEEL.
FINISH: TYPE 4, ANSI 61 GRAY POLYESTER SEMI GLOSS ELECTROSTATIC POWDER.
TYPE 4X EXTERIOR MANUFACTURED FROM CODE GAUGE STAINLESS STEEL.
(P) EXTERIOR CONSTRUCTED FROM CODE GAUGE TYPE 304 STAINLESS STEEL.
(V) EXTERIOR CONSTRUCTED FROM CODE GAUGE TYPE 316 STAINLESS STEEL.
- EXTERIOR DOORS HAVE PADLOCKABLE HASP & STAPLE.
- DESIGNED FOR FRONT AND REAR ACCESS.
- RECOMMENDED CLEARANCES: FRONT: 40" [990mm] REAR: 40" [990mm]
- CENTER OF GRAVITY
- APPROXIMATE WEIGHT: 2295 LBS [1041 KG].
- SECTION 1 AND 2 SHIP AS ONE UNIT. NO SHIPPING SPLIT
- SECTION 1 & 2 ARE MOUNTED INSIDE TYPE 4/4X ENCLOSURE.

SYSTEM NOTES

- SYSTEM RATING: 100 AMPS-400 AMPS.
SOURCE 1 (NORMAL) SHORT CIRCUIT RATING: 125,000 RMS SYM @ 240V
100,000 RMS SYM @ 480V
SOURCE 2 (EMERGENCY) SHORT CIRCUIT RATING: 65,000 RMS SYM @ 240V
42,000 RMS SYM @ 480V (SWITCHED AND SOLID NEUTRAL)
35,000 RMS SYM @ 480V (OVERLAPPING NEUTRAL).
SOURCE 2 (EMERGENCY) SHORT CIRCUIT RATING MAY BE INCREASED BY UTILIZING A SPECIFIC OVERCURRENT PROTECTIVE DEVICE AS LISTED ON THE TRANSFER SWITCH.
- ALL BUS IS SILVER-PLATED COPPER, BASED ON 1000A PER SQ. IN. DENSITY.
- GROUND: 20% RATED.
- NEUTRAL: 100% RATED.
- APPLICABLE LABEL(S): U.L. 891, SUITABLE ONLY FOR USE AS SERVICE EQUIPMENT.

TRANSFER SWITCH

- J FRAME AUTOMATIC TRANSFER SWITCH.
- TRANSFER SWITCH RATING: 100 AMPS-400 AMPS.
SHORT CIRCUIT RATING WHEN PROTECTED BY A CIRCUIT BREAKER
TIME RESPONSE, MAXIMUM 0.05 SECONDS:
42,000 RMS SYM @ 480V (SWITCHED AND SOLID NEUTRAL).
35,000 RMS SYM @ 480V (OVERLAPPING NEUTRAL).
65,000 RMS SYM @ 240V (SWITCHED, SOLID AND OVERLAPPING NEUTRAL).
- A FULL RATED NEUTRAL CONNECTION FOR EACH SOURCE AND THE LOAD IS OPTIONAL. WHEN PROVIDED IT IS IN ONE OF THE FOLLOWING FORMATS.
A. SOLID NEUTRAL
B. SWITCHED NEUTRAL POLE
C. OVERLAPPING NEUTRAL POLE (NOT AVAILABLE ON CLOSED OR DELAYED TRANSITION)
- UL 1008 OR CSA C22.2 NO.178.1

TERMINATIONS 100A-150A

- SUPPLIED WITH MECHANICAL (SCREW TYPE) LUGS FOR CU/AL CABLE.
SOURCE 1 (NORMAL): (1) #4-3/0 PER PHASE PHASE & NEUTRAL
LOAD: (1) #4 - 600MCM OR (2) 1/0 - 250MCM PER PHASE & NEUTRAL
SOURCE 2 (EMERGENCY): (1) #4 - 600MCM OR (2) 1/0 - 250MCM PER PHASE & NEUTRAL
GROUND: (3) #4 - 600MCM OR (6) 1/0 - 250MCM.
A. SUITABLE WIRE BENDING SPACE IS PROVIDED AS PER NEC.
- OPTIONAL LUGS MAY BE SUPPLIED.

TERMINATIONS 175A

- SUPPLIED WITH MECHANICAL (SCREW TYPE) LUGS FOR CU/AL CABLE.
SOURCE 1 (NORMAL): (1) #4-4/0 PER PHASE PHASE & NEUTRAL
LOAD: (1) #4 - 600MCM OR (2) 1/0 - 250MCM PER PHASE & NEUTRAL
SOURCE 2 (EMERGENCY): (1) #4 - 600MCM OR (2) 1/0 - 250MCM PER PHASE & NEUTRAL
GROUND: (3) #4 - 600MCM OR (6) 1/0 - 250MCM.
A. SUITABLE WIRE BENDING SPACE IS PROVIDED AS PER NEC.
- OPTIONAL LUGS MAY BE SUPPLIED.

TERMINATIONS 200A-250A

- SUPPLIED WITH MECHANICAL (SCREW TYPE) LUGS FOR CU/AL CABLE.
SOURCE 1 (NORMAL): (1) 3/0 - 350MCM PER PHASE PHASE & NEUTRAL
LOAD: (1) #4 - 600MCM OR (2) 1/0 - 250MCM PER PHASE & NEUTRAL
SOURCE 2 (EMERGENCY): (1) #4 - 600MCM OR (2) 1/0 - 250MCM PER PHASE & NEUTRAL
GROUND: (3) #4 - 600MCM OR (6) 1/0 - 250MCM.
A. SUITABLE WIRE BENDING SPACE IS PROVIDED AS PER NEC.
- OPTIONAL LUGS MAY BE SUPPLIED.

TERMINATIONS 400A

- SUPPLIED WITH MECHANICAL (SCREW TYPE) LUGS FOR CU/AL CABLE.
SOURCE 1 (NORMAL): (2) 2/0 - 250MCM PER PHASE & NEUTRAL
LOAD: (1) #4 - 600MCM OR (2) 1/0 - 250MCM PER PHASE & NEUTRAL
SOURCE 2 (EMERGENCY): (1) #4 - 600MCM OR (2) 1/0 - 250MCM PER PHASE & NEUTRAL
GROUND: (3) #4 - 600MCM OR (6) 1/0 - 250MCM.
A. SUITABLE WIRE BENDING SPACE IS PROVIDED AS PER NEC.
- OPTIONAL LUGS MAY BE SUPPLIED.

CIRCUIT BREAKER: ITEM 52U

- SQUARE "D" 80% RATED TYPE "HL", 150AF/100AT, 150AF/150AT MANUALLY OPERATED, THERMAL MAGNETIC TRIP SETTINGS.
SHORT CIRCUIT RATING: AIC 100,000 RMS SYM @ 480V
- OPTIONAL 100% RATED.
- U.L. 489

CIRCUIT BREAKER: ITEM 52U

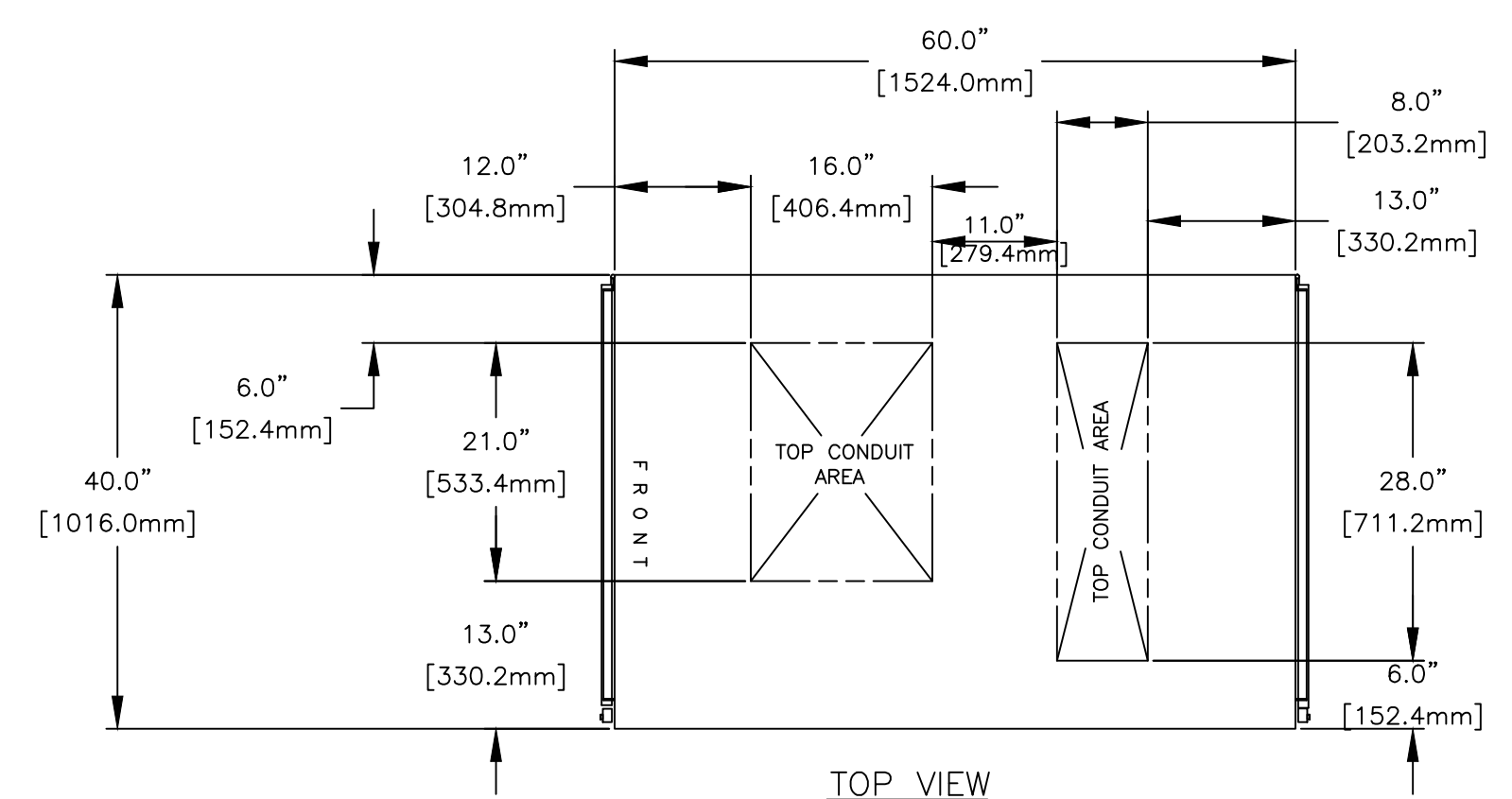
- SQUARE "D" 80% RATED TYPE "JL", 250AF/175AT, 250AF/200AT, 250AF/225AT, 250AF/250AT MANUALLY OPERATED, THERMAL MAGNETIC TRIP SETTINGS.
SHORT CIRCUIT RATING: AIC 100,000 RMS SYM @ 480V
- OPTIONAL 100% RATED.
- U.L. 489

CIRCUIT BREAKER: ITEM 52U

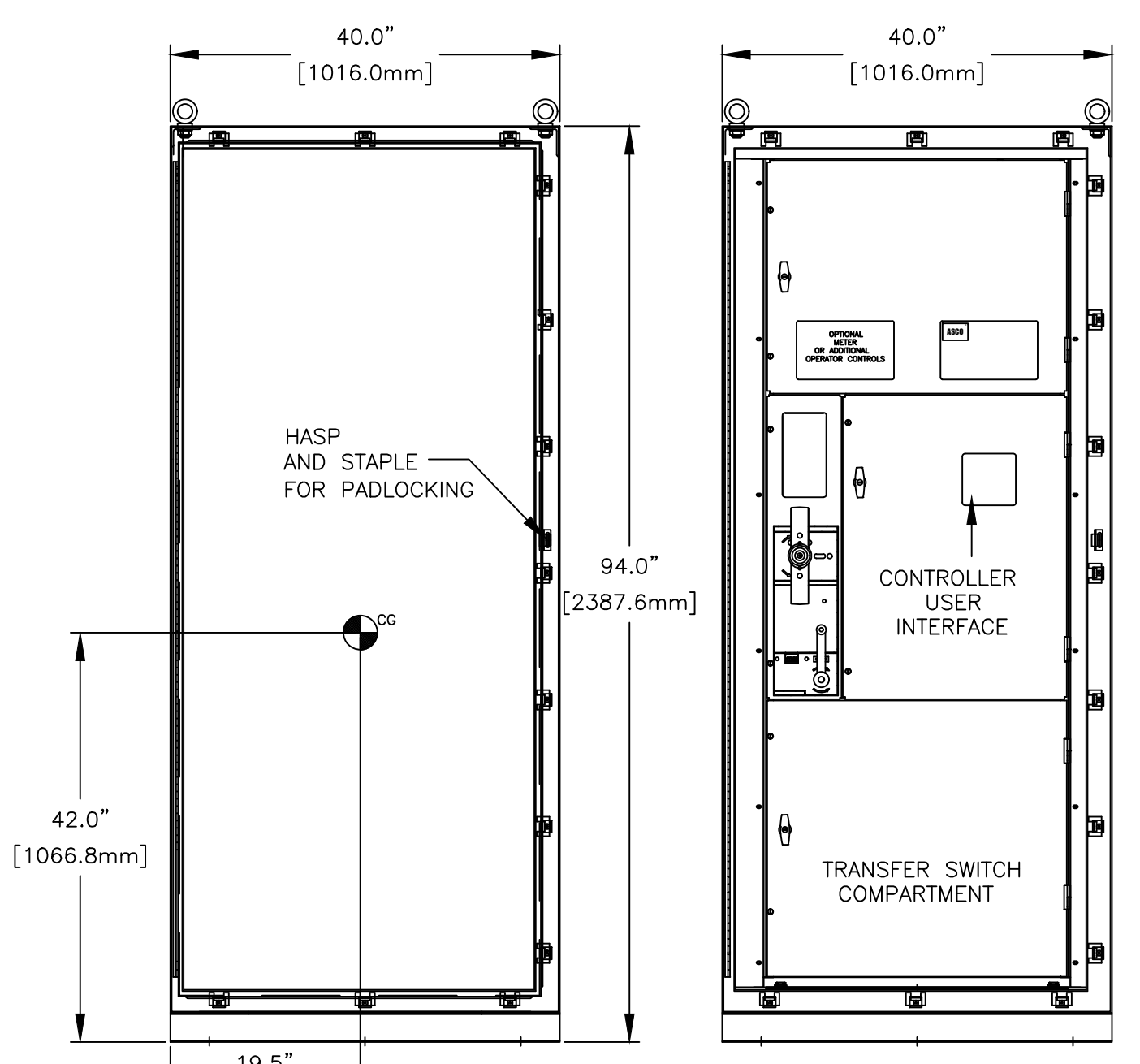
- SQUARE "D" 80% RATED TYPE "LL", 600AF/400AT, MANUALLY OPERATED, ELECTRONIC TRIP UNIT WITH LONG AND INSTANTANEOUS TRIP SETTINGS.
SHORT CIRCUIT RATING: AIC 100,000 RMS SYM @ 480V
- OPTIONAL 100% RATED.
- U.L. 489

WIRING/CABLING

- USE 90°C MINIMUM CU/AL WIRE FOR POWER CABLES.
- WIRE SIZE TO BE BASED ON AMPACITY OF 75°C WIRE.
- USE 60°C MINIMUM CU WIRE FOR CONTROLS.

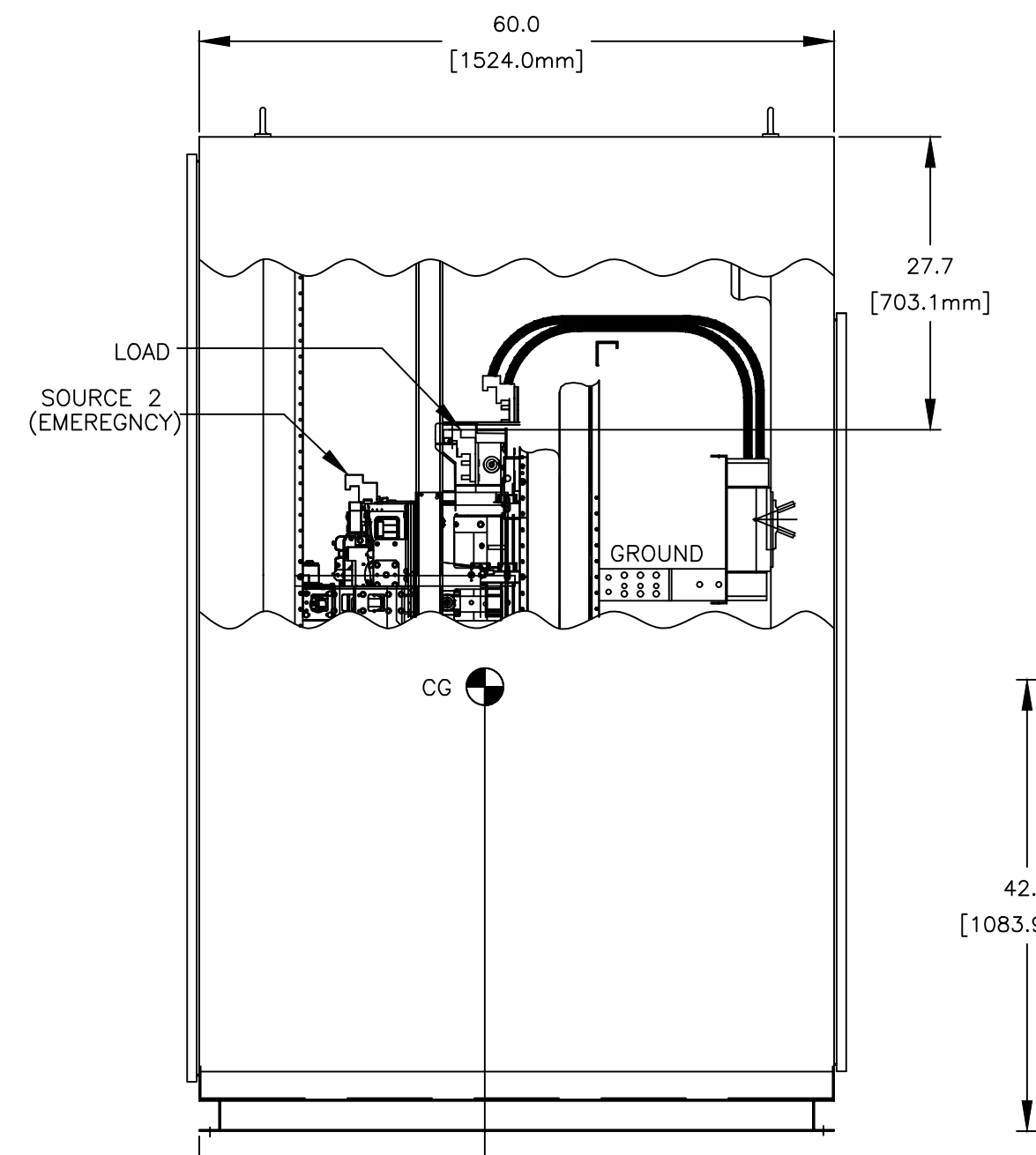


TOP VIEW

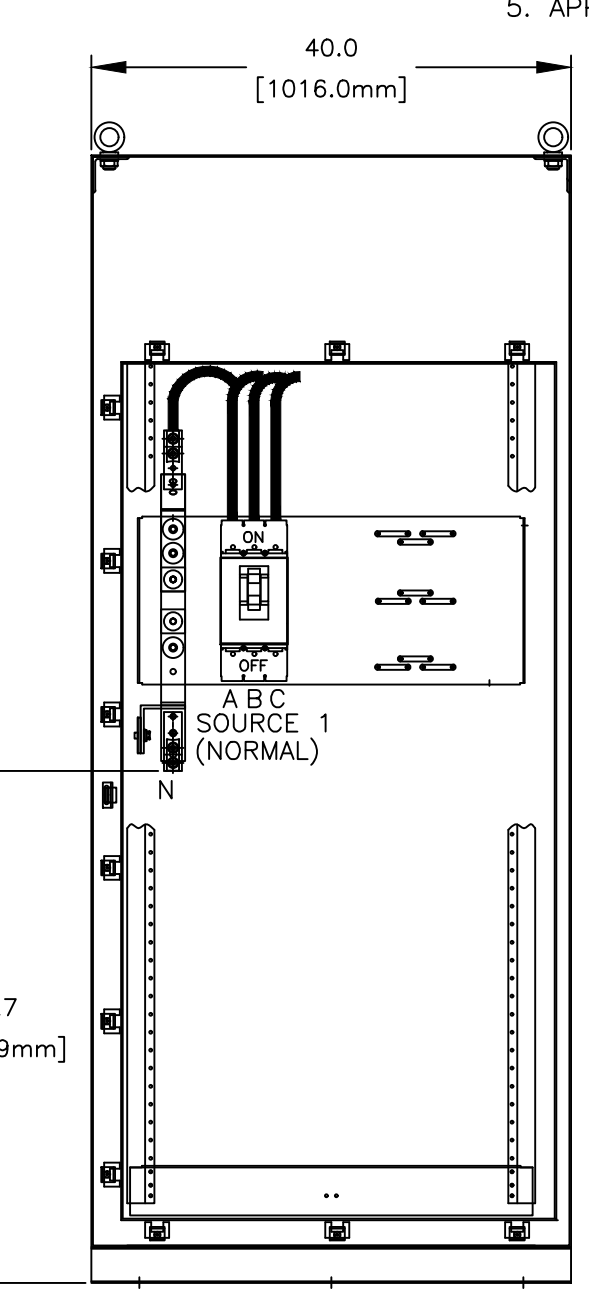


SECTION 1 FRONT VIEW

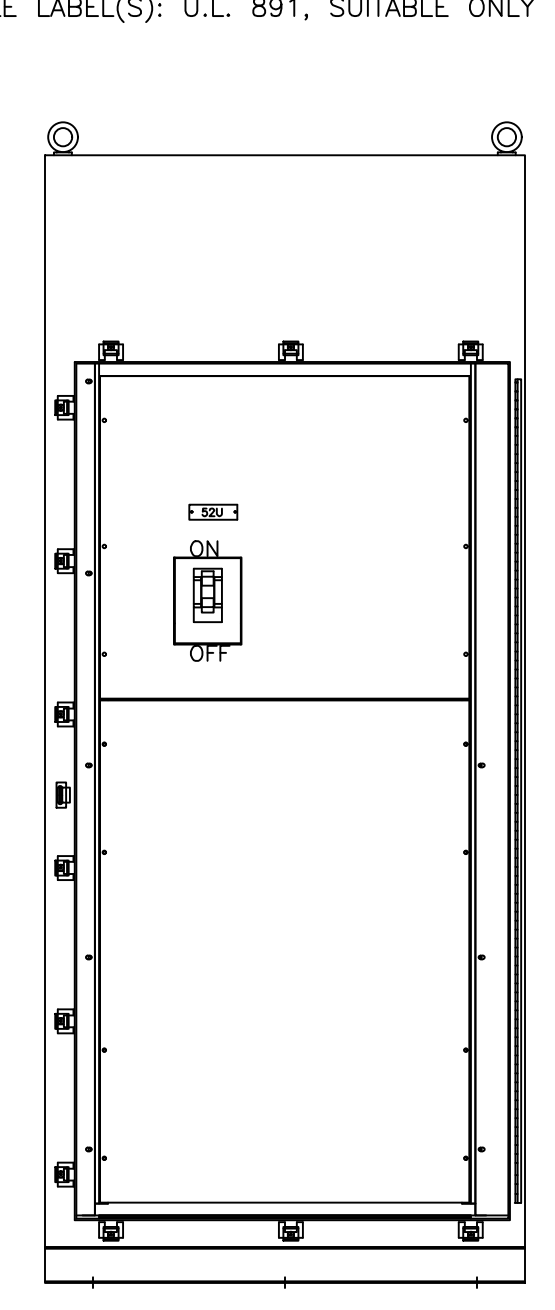
SECTION 1 FRONT VIEW WITHOUT COVER



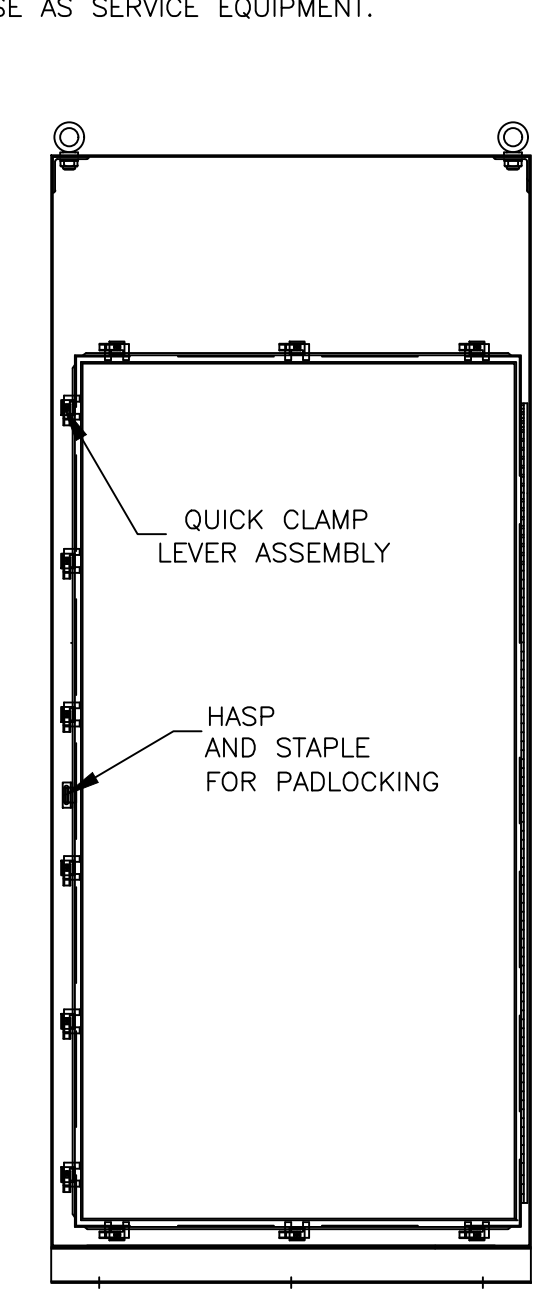
RIGHT SIDE VIEW



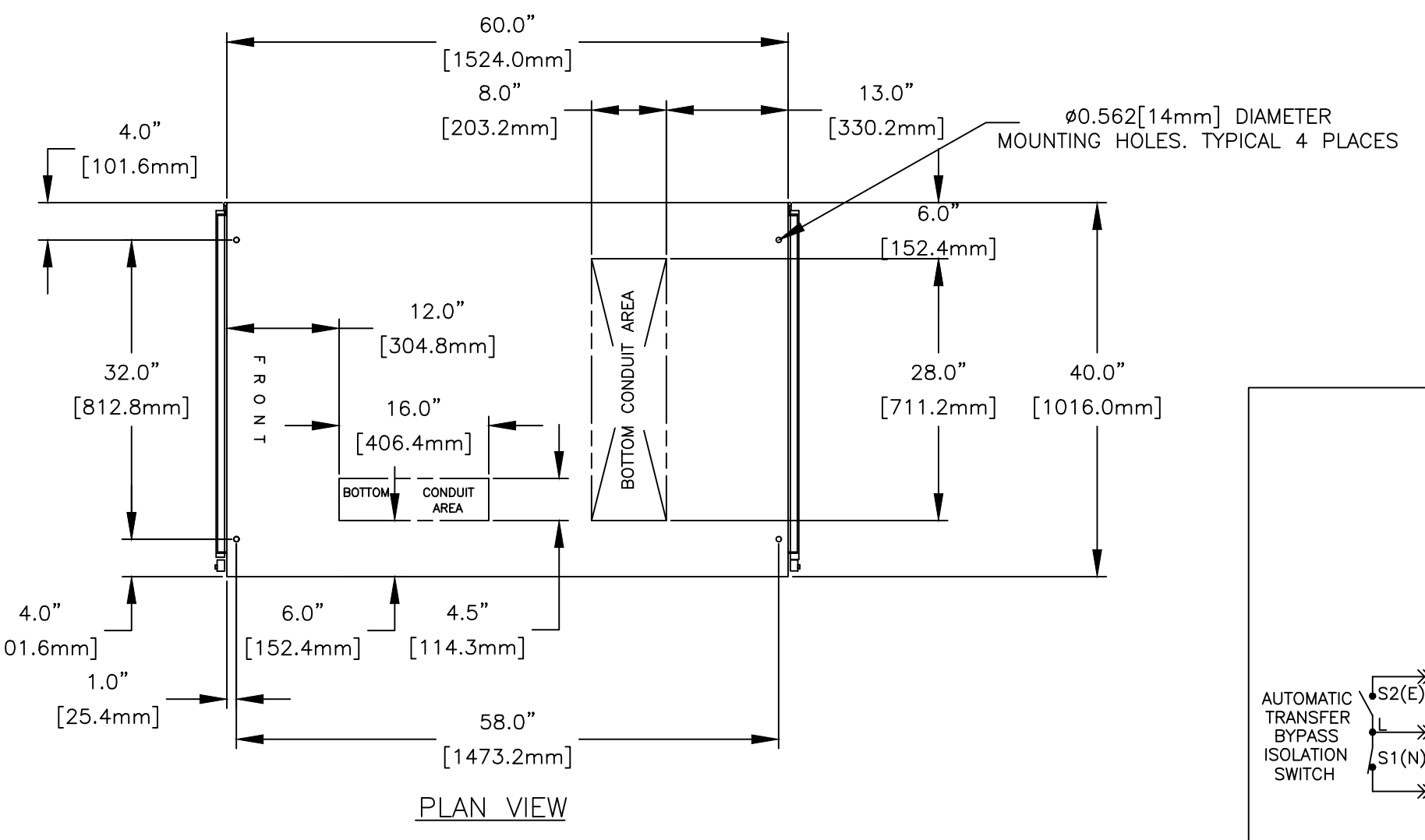
SECTION 2 REAR VIEW WITHOUT COVER



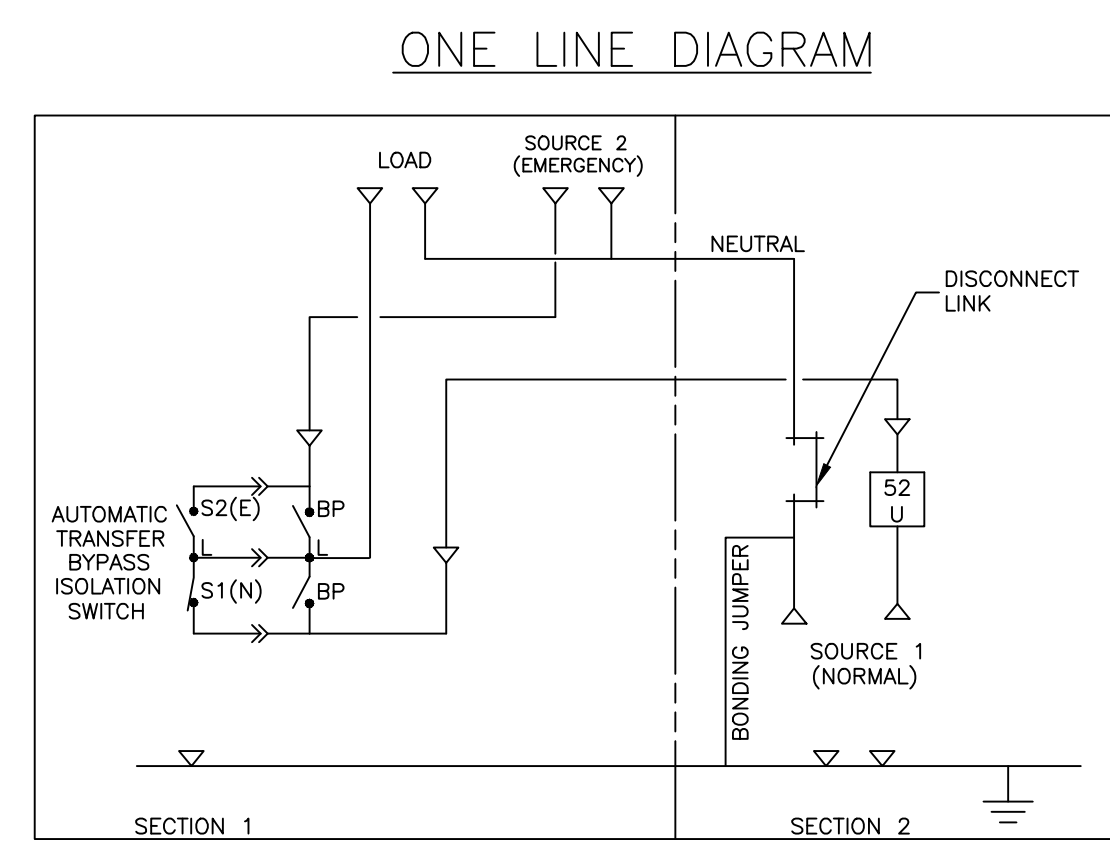
SECTION 2 FRONT VIEW WITHOUT EXTERIOR DOOR



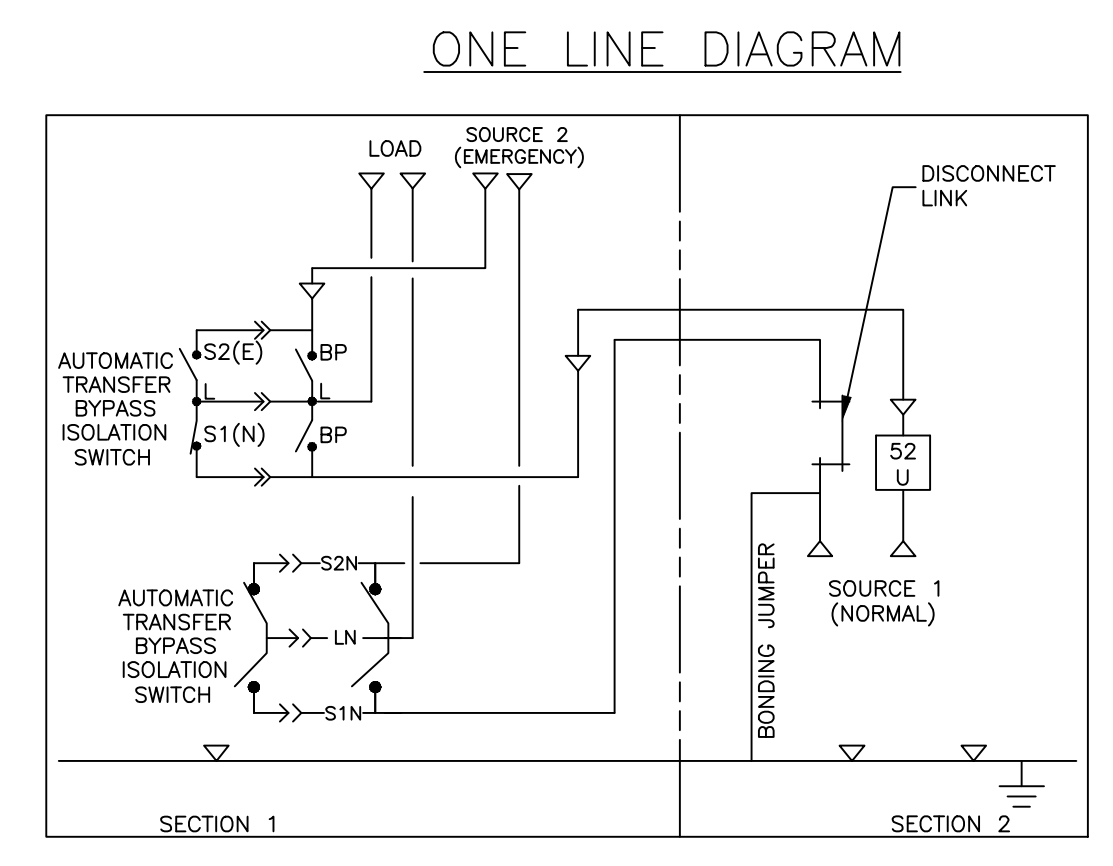
SECTION 2 REAR VIEW



PLAN VIEW



(WITH SOLID NEUTRAL)



(WITH SWITCH NEUTRAL)

SEE TABLE 1 FOR METRIC TERMINATIONS

TABLE 1	
14 AWG	2.5mm ²
6 AWG	16mm ²
4 AWG	25mm ²
1/0 AWG	50mm ²
2/0 AWG	70mm ²
3/0 AWG	95mm ²
4/0 AWG	120mm ²
250 MCM	120mm ²
300 MCM	150mm ²
350 MCM	185mm ²
400 MCM	240mm ²
500 MCM	240mm ²
600 MCM	300mm ²
750 MCM	400mm ²

PROJECT NAME:		REV. TO SHEET	305254	YK	MCH	09/18/23
OUTLINE		SEE ECN	BY	APP.	DATE	
MOUNTING		ECN NO.				
JAUB 100A-400A, HL/JL/LL SE BREAKER ON SOURCE 1 (NORMAL)		MANUFACTURING TOLERANCES TO BE IN ACCORDANCE WITH ASCO PROCEDURE MP-1-003. FOR PLASTIC PARTS SEE MP-1-005.		ASSEM. REF. NO.		COMPUTER GENERATED DRAWING
TYPE 4/4X, 94 X 40 X 60, DUAL ACCESS.		PROPERTY OF ASCO POWER TECHNOLOGIES. USE PERMITTED FOR OUR WORK ONLY. ALL RIGHTS OF DESIGN OR INVENTION ARE RESERVED.		SCALE 1/16" = 1" SIZE DS		THIRD ANGLE PROJECTION
DRAWN BY	YK	DATE	09/18/23	DWG. NO.		843100-007
CHECKED	MCH			REV.		
PROJECT APPROVAL			ASCO POWER TECHNOLOGIES, LP.		DRAWING NO. 305254 SHEET 1 OF 1	
FINAL APPROVAL			FLORHAM PARK, NEW JERSEY 07932 U.S.A.			