

GENERAL NOTES

- FLOOR MOUNTED ENCLOSURE.
TYPE 12 CONSTRUCTED FROM CODE GAUGE STEEL.
FINISH: ANSI 61 GRAY POLYESTER SEMI GLOSS ELECTROSTATIC POWDER.
- EXTERIOR DOORS HAVE PADLOCKABLE HANDLE WITH 3 POINT LATCH.
- DESIGNED FOR FRONT AND REAR ACCESS.
- RECOMMENDED CLEARANCES: FRONT: 38" [965mm] REAR: 38" [965mm]
- CENTER OF GRAVITY LOCATION
- APPROXIMATE WEIGHT: 2360 LBS [1070kg]
- SECTION 1 & SECTION 2 SHIP AS 1 UNIT
SECTION 1 & SECTION 2 ARE MOUNTED INSIDE TYPE 12 ENCLOSURE.

SYSTEM NOTES

- SYSTEM RATING: 100 AMPS-400 AMPS.
SOURCE 1 (NORMAL) SHORT CIRCUIT RATING: 125,000 RMS SYM @ 240V
100,000 RMS SYM @ 480V
SOURCE 2 (EMERGENCY) SHORT CIRCUIT RATING: 65,000 RMS SYM @ 240V
42,000 RMS SYM @ 480V (SOLID/SWITCHED NEUTRAL)
35,000 RMS SYM @ 480V (OVERLAPPING NEUTRAL)
SOURCE 2 (EMERGENCY) SHORT CIRCUIT RATING MAY BE INCREASED BY UTILIZING A SPECIFIC OVERCURRENT PROTECTIVE DEVICE AS LISTED ON THE TRANSFER SWITCH.
- ALL BUS IS SILVER-PLATED COPPER, BASED ON 1000A PER SQ. IN. DENSITY.
- GROUND: 20% RATED.
- NEUTRAL: 100% RATED.
- APPLICABLE LABEL(S): U.L. 891, SUITABLE ONLY FOR USE AS SERVICE EQUIPMENT.

TRANSFER SWITCH

- J FRAME AUTOMATIC TRANSFER SWITCH.
- TRANSFER SWITCH RATING: 100 AMPS-400 AMPS.
SHORT CIRCUIT RATING WHEN PROTECTED BY A CIRCUIT BREAKER
TIME RESPONSE, MAXIMUM 0.05 SECONDS:
65,000 RMS SYM @ 240V (SOLID/SWITCHED/OVERLAPPING NEUTRAL).
42,000 RMS SYM @ 480V (SOLID/SWITCHED NEUTRAL).
35,000 RMS SYM @ 480V (OVERLAPPING NEUTRAL).
- A FULL RATED NEUTRAL CONNECTION FOR EACH SOURCE AND THE LOAD IS OPTIONAL. WHEN PROVIDED IT IS IN ONE OF THE FOLLOWING FORMATS.
A. SOLID NEUTRAL
B. SWITCHED NEUTRAL POLE
C. OVERLAPPING NEUTRAL POLE (NOT AVAILABLE ON CLOSED OR DELAYED TRANSITION)
- UL 1008 OR CSA C22.2 NO.178.1

TERMINATIONS 100A-150A

- SUPPLIED WITH MECHANICAL (SCREW TYPE) LUGS FOR CU/AL CABLE.
SOURCE 1 (NORMAL): (1) #4-3/0 PER PHASE PHASE & NEUTRAL
SOURCE 2 (EMERGENCY): (1) #4-3/0 PER PHASE PHASE & NEUTRAL
LOAD: (1) #4-600MCM OR (2) 1/0-250MCM PER PHASE & NEUTRAL
GROUND: (3) #4-600MCM OR (6) 1/0-250MCM
A. SUITABLE WIRE BENDING SPACE IS PROVIDED AS PER NEC.
- OPTIONAL LUGS MAY BE SUPPLIED.

TERMINATIONS 175A

- SUPPLIED WITH MECHANICAL (SCREW TYPE) LUGS FOR CU/AL CABLE.
SOURCE 1 (NORMAL): (1) #4-4/0 PER PHASE PHASE & NEUTRAL
SOURCE 2 (EMERGENCY): (1) #4-600MCM OR (2) 1/0-250MCM PER PHASE & NEUTRAL
LOAD: (1) #4-600MCM OR (2) 1/0-250MCM PER PHASE & NEUTRAL
GROUND: (3) #4-600MCM OR (6) 1/0-250MCM
A. SUITABLE WIRE BENDING SPACE IS PROVIDED AS PER NEC.
- OPTIONAL LUGS MAY BE SUPPLIED.

TERMINATIONS 200A-250A

- SUPPLIED WITH MECHANICAL (SCREW TYPE) LUGS FOR CU/AL CABLE.
SOURCE 1 (NORMAL): (1) 3/0-350MCM PER PHASE PHASE & NEUTRAL
SOURCE 2 (EMERGENCY): (1) #4-600MCM OR (2) 1/0-250MCM PER PHASE & NEUTRAL
LOAD: (1) #4-600MCM OR (2) 1/0-250MCM PER PHASE & NEUTRAL
GROUND: (3) #4-600MCM OR (6) 1/0-250MCM
A. SUITABLE WIRE BENDING SPACE IS PROVIDED AS PER NEC.
- OPTIONAL LUGS MAY BE SUPPLIED.

TERMINATIONS 400A

- SUPPLIED WITH MECHANICAL (SCREW TYPE) LUGS FOR CU/AL CABLE.
SOURCE 1 (NORMAL): (1) 2/0-250MCM PER PHASE PHASE & NEUTRAL
SOURCE 2 (EMERGENCY): (1) #4-600MCM OR (2) 1/0-250MCM PER PHASE & NEUTRAL
LOAD: (1) #4-600MCM OR (2) 1/0-250MCM PER PHASE & NEUTRAL
GROUND: (3) #4-600MCM OR (6) 1/0-250MCM
A. SUITABLE WIRE BENDING SPACE IS PROVIDED AS PER NEC.
- OPTIONAL LUGS MAY BE SUPPLIED.

CIRCUIT BREAKER: ITEM 52U

- SQUARE "D" 80% RATED TYPE 'HL', 150AF/100AT, 150AF/150AT MANUALLY OPERATED, THERMAL MAGNETIC TRIP SETTINGS.
SHORT CIRCUIT RATING: AIC 100,000 RMS SYM @ 480V
- OPTIONAL 100% RATED.
- U.L. 489

CIRCUIT BREAKER: ITEM 52U

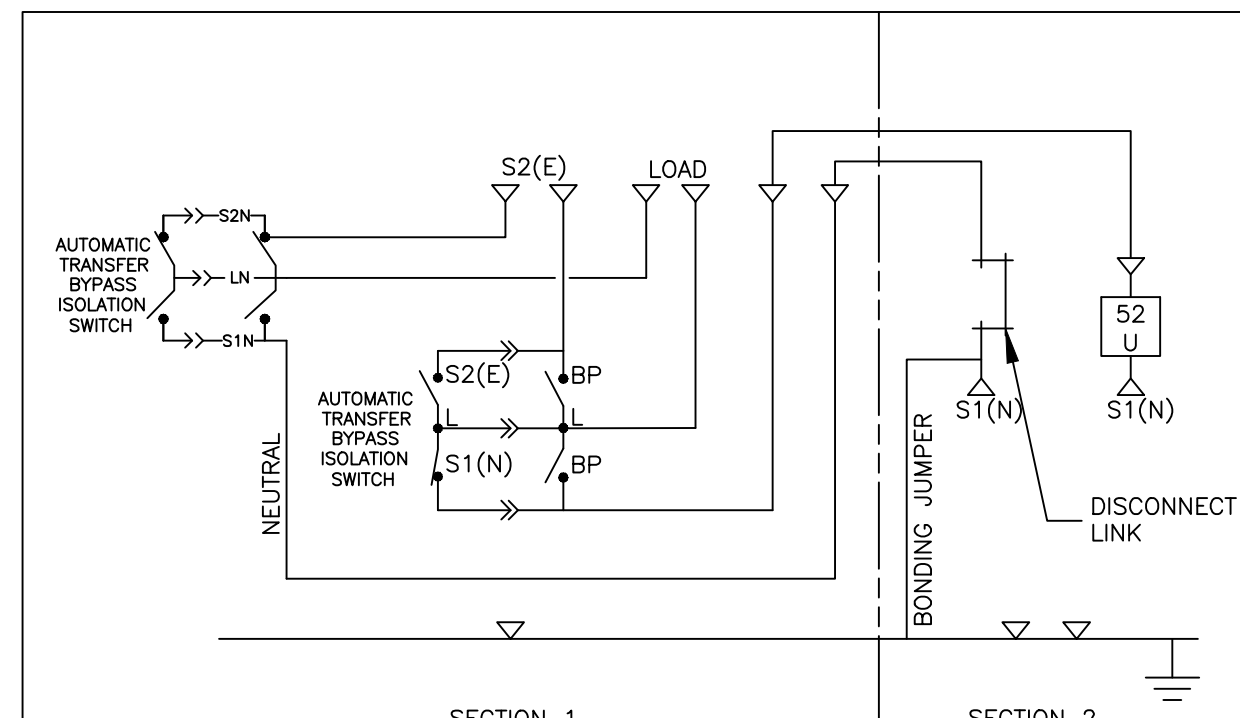
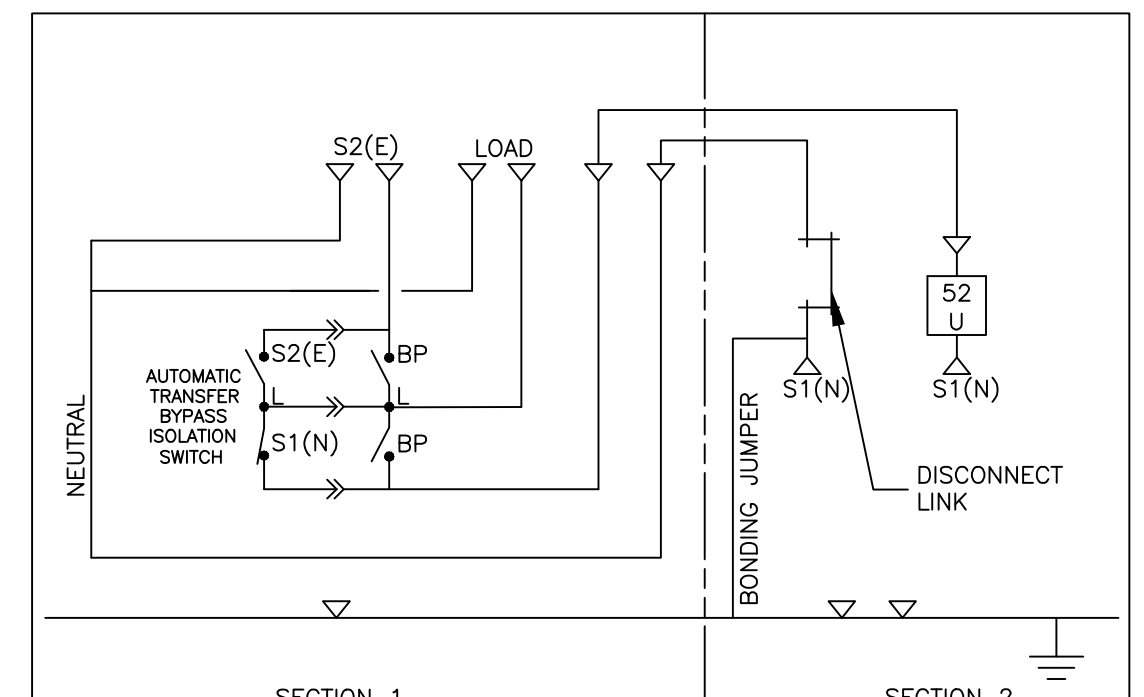
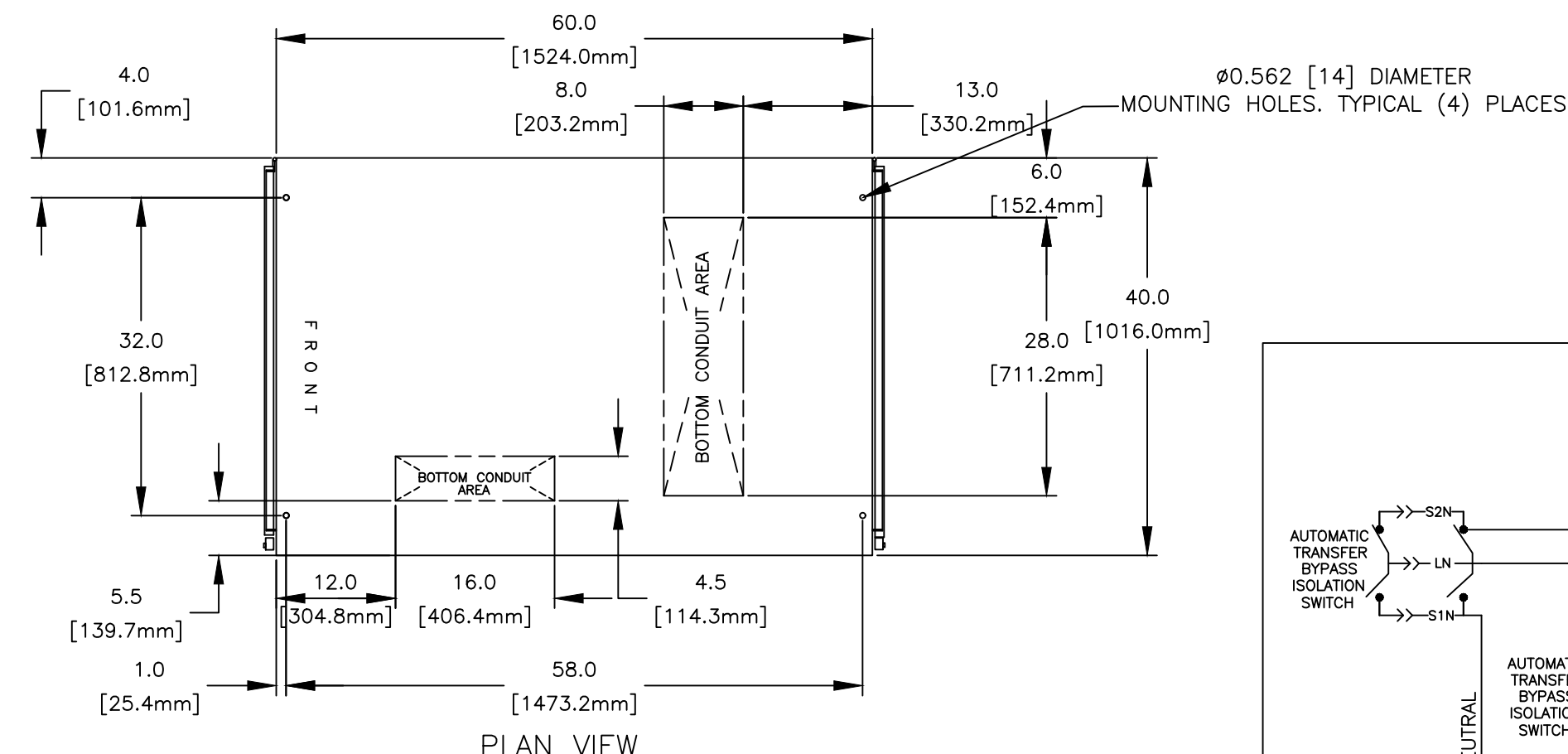
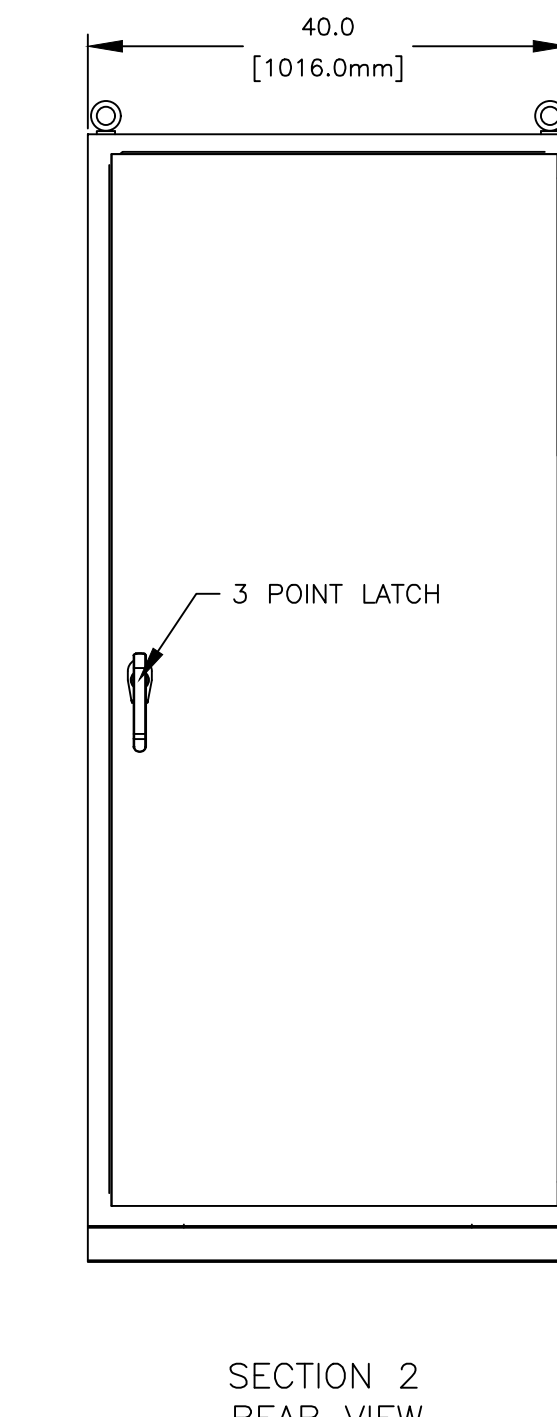
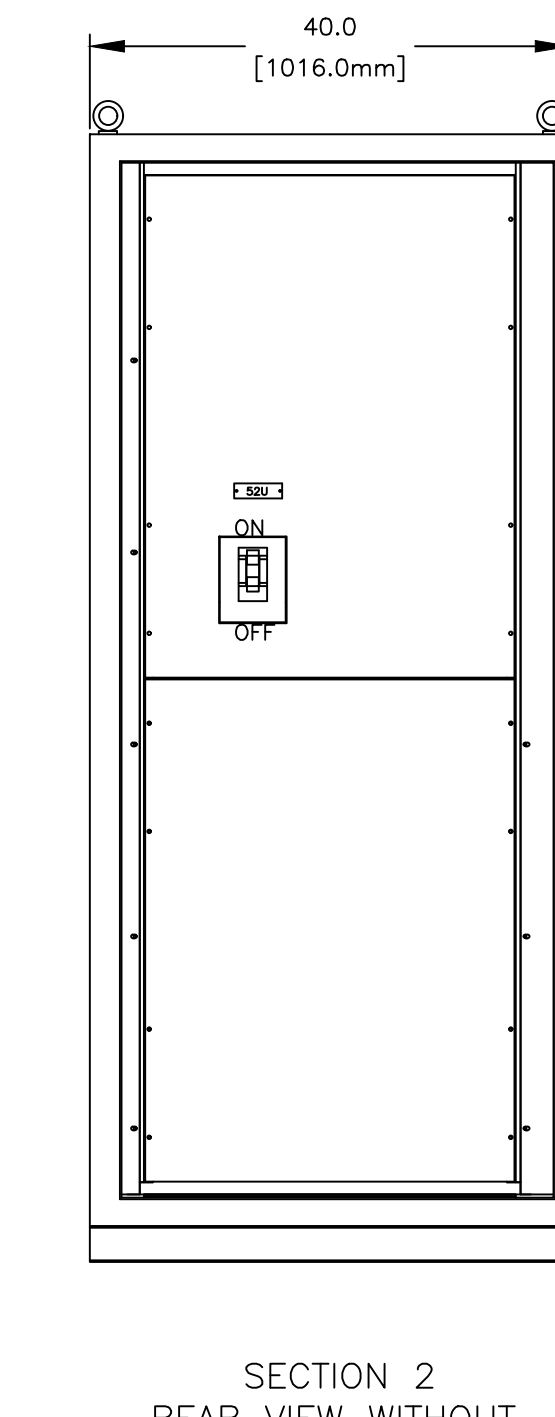
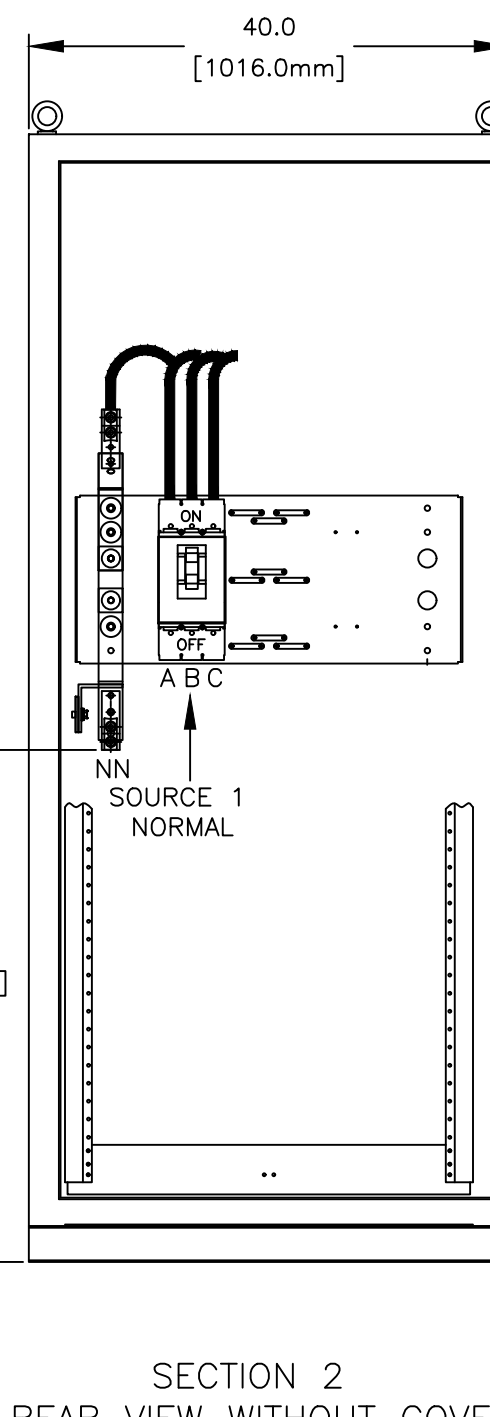
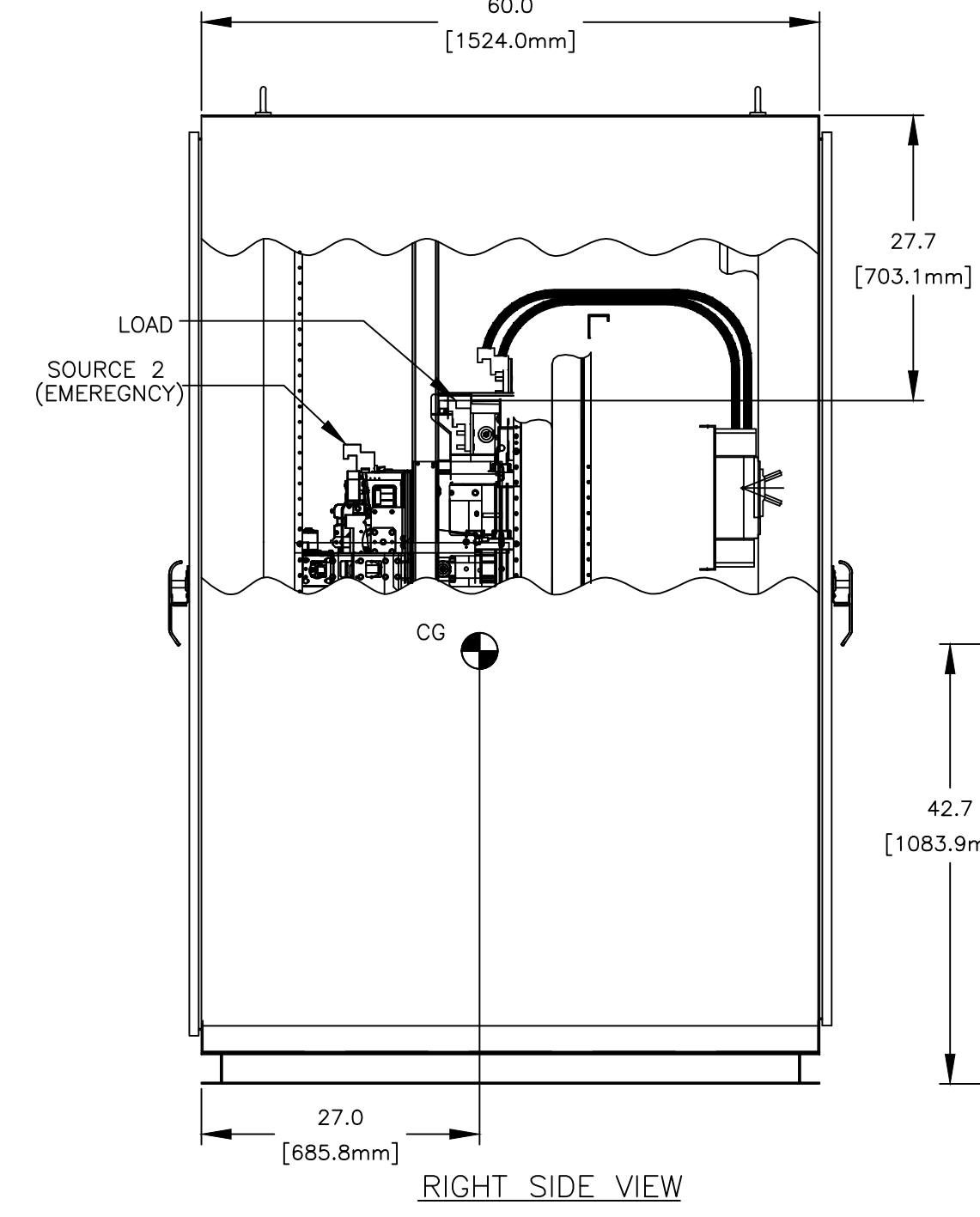
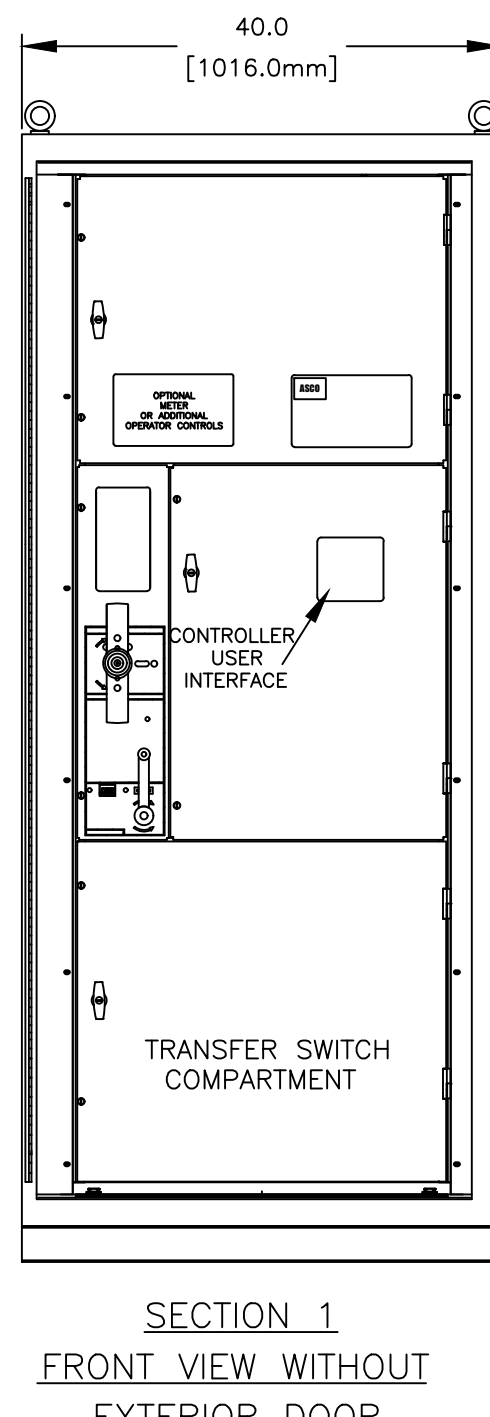
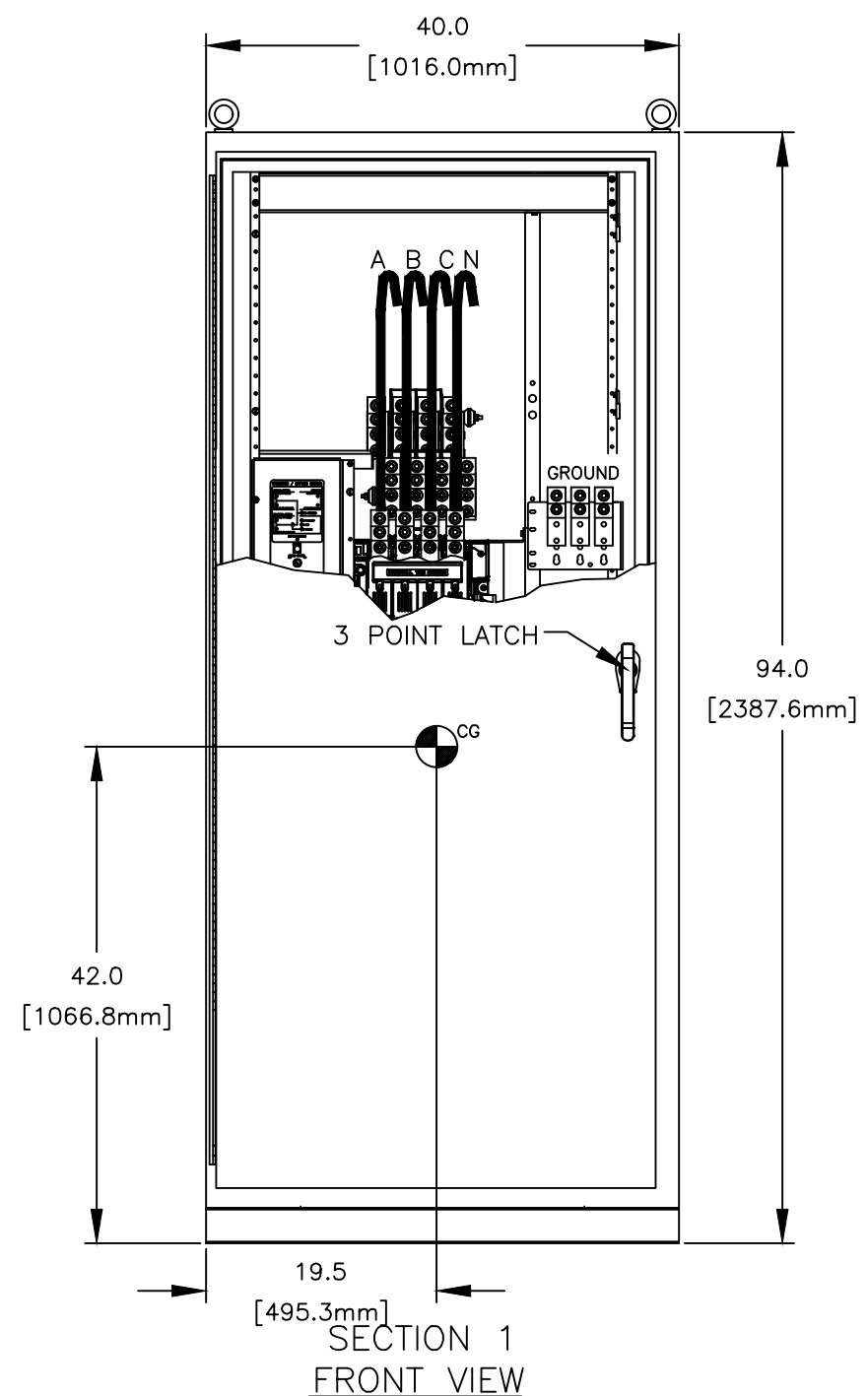
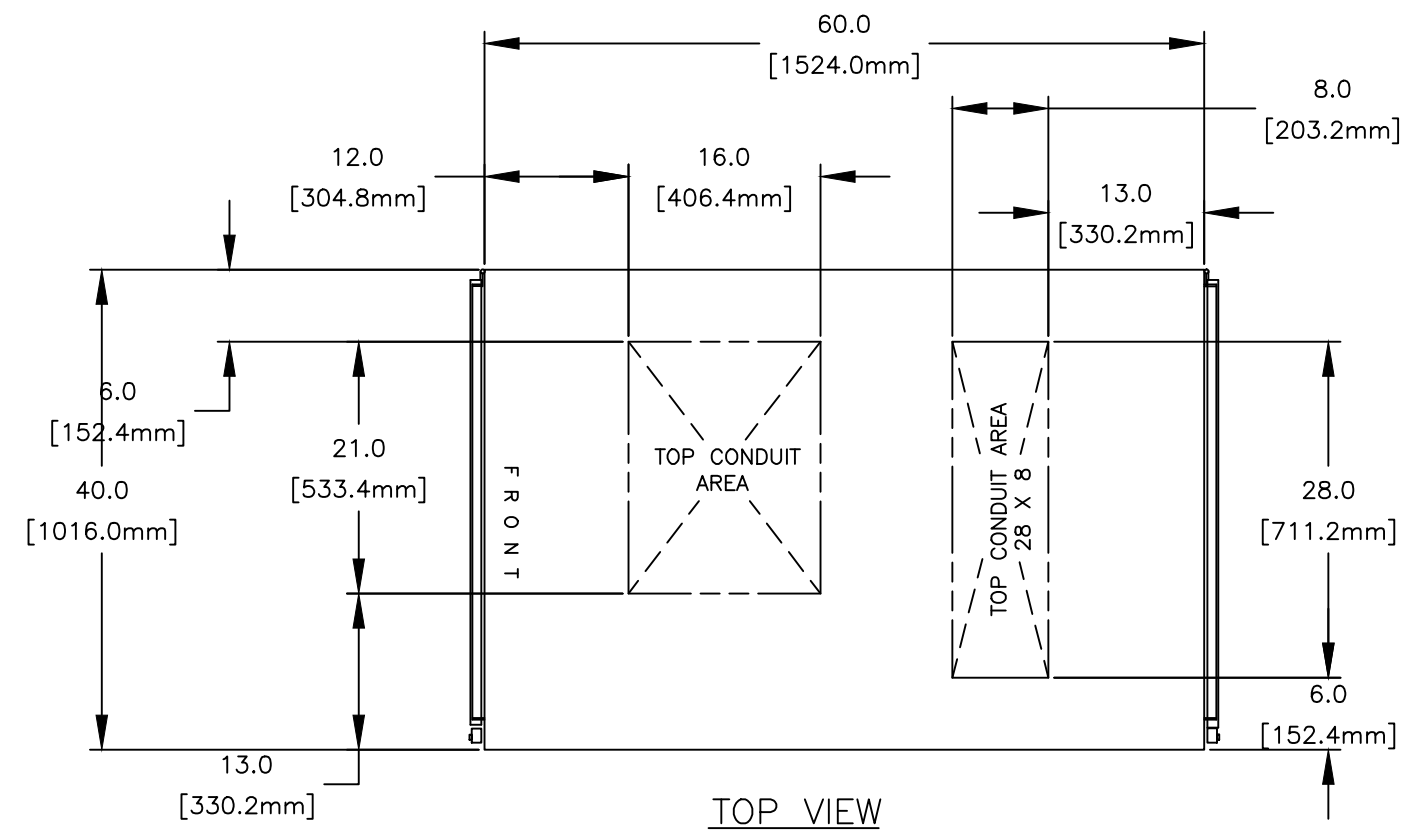
- SQUARE "D" 80% RATED TYPE 'JL', 250AF/175AT, 250AF/200AT, 250AF/225AT, 250AF/250AT MANUALLY OPERATED, THERMAL MAGNETIC TRIP SETTINGS.
SHORT CIRCUIT RATING: AIC 100,000 RMS SYM @ 480V
- OPTIONAL 100% RATED.
- U.L. 489

CIRCUIT BREAKER: ITEM 52U

- SQUARE "D" 80% RATED TYPE 'LL', MOLDED CASE CIRCUIT BREAKER, 600AF/400AT, MANUALLY OPERATED, ELECTRONIC TRIP UNIT WITH LONG AND INSTANTANEOUS TRIP SETTINGS.
SHORT CIRCUIT RATING: AIC 100,000 RMS SYM @ 480V
- OPTIONAL 100% RATED.
- U.L. 489

WIRING/CABLING

- USE 90°C MINIMUM CU/AL WIRE FOR POWER CABLES.
- WIRE SIZE TO BE BASED ON AMPACITY OF 75°C WIRE.
- USE 60°C MINIMUM CU WIRE FOR CONTROLS.



SEE TABLE 1 FOR METRIC TERMINATIONS

TABLE 1	
14 AWG	2.5mm ²
6 AWG	16mm ²
4 AWG	25mm ²
1/0 AWG	50mm ²
2/0 AWG	70mm ²
3/0 AWG	95mm ²
4/0 AWG	120mm ²
250 MCM	120mm ²
300 MCM	150mm ²
350 MCM	185mm ²
400 MCM	240mm ²
500 MCM	240mm ²
600 MCM	300mm ²
750 MCM	400mm ²

PROJECT NAME:		305484 TAA MCH 9-18-23
NEW ISSUE		REV. TO SHEET ECN NO. BY APP. DATE
OUTLINE		COMPUTER GENERATED DRAWING
MOUNTING		SCALE 1/16" = 1" SIZE DS
JAUB 100A-400A, HL/JL/LL SE BREAKER ON SOURCE 1 (NORMAL)		DWG. NO. 843100-003
TYPE 12, 94 X 40 X 60, DUAL ACCESS		REV. ECN NO. 305484 SHEET 1 OF 1
BY TAA	DATE 9-18-23	MANUFACTURING TOLERANCES TO BE IN ACCORDANCE WITH ASCO PROCEDURE MP-1-003. FOR PLASTIC PARTS SEE MP-1-055
CHECKED MCH		ASSEM. REF. NO.
PROJECT APPROVAL		PROPERTY OF ASCO POWER TECHNOLOGIES. USE PERMITTED FOR OUR WORK ONLY. ALL RIGHTS OF DESIGN OR INVENTION ARE RESERVED.
FINAL APPROVAL		ASCO POWER TECHNOLOGIES, LP. FLORHAM PARK, NEW JERSEY 07932 U.S.A.