

GENERAL NOTES

- FLOOR MOUNTED ENCLOSURE.
TYPE 1 CONSTRUCTED FROM CODE GAUGE STEEL.
FINISH: ANSI 61 GRAY POLYESTER SEMI GLOSS ELECTROSTATIC POWDER.
- DOORS EQUIPPED WITH KEY LOCKABLE HANDLE AND CAPTIVE SCREWS.
- DESIGNED FOR FRONT ACCESS.
- RECOMMENDED CLEARANCES: FRONT: 40" [1016mm] REAR: NONE.
- CENTER OF GRAVITY
- APPROXIMATE WEIGHT: 1600 LBS [726 KG].
- SECTION 1 AND 2 SHIP AS ONE UNIT. NO SHIPPING SPLIT

SYSTEM NOTES

- SYSTEM RATING: 100 AMPS-400 AMPS.
SOURCE 1 (NORMAL) SHORT CIRCUIT RATING: 125,000 RMS SYM @ 240V
100,000 RMS SYM @ 480V
SOURCE 2 (EMERGENCY) SHORT CIRCUIT RATING: 65,000 RMS SYM @ 240V
42,000 RMS SYM @ 480V (SWITCHED AND SOLID NEUTRAL).
35,000 RMS SYM @ 480V (OVERLAPPING NEUTRAL).
- SOURCE 2 (EMERGENCY) SHORT CIRCUIT RATING MAY BE INCREASED BY UTILIZING A SPECIFIC OVERCURRENT PROTECTIVE DEVICE AS LISTED ON THE TRANSFER SWITCH.
- GROUND: 20% RATED.
- NEUTRAL: 100% RATED.
- APPLICABLE LABEL(S): U.L. 891, SUITABLE ONLY FOR USE AS SERVICE EQUIPMENT.

TRANSFER SWITCH

- J FRAME ISOLATION-BYPASS TRANSFER SWITCH.
- TRANSFER SWITCH RATING: 100 AMPS-400 AMPS.
SHORT CIRCUIT RATING WHEN PROTECTED BY A CIRCUIT BREAKER
TIME RESPONSE, MAXIMUM 0.05 SECONDS:
42,000 RMS SYM @ 480V (SWITCHED AND SOLID NEUTRAL).
35,000 RMS SYM @ 480V (OVERLAPPING NEUTRAL).
65,000 RMS SYM @ 240V (SWITCHED, SOLID AND OVERLAPPING NEUTRAL).
- A FULL RATED NEUTRAL CONNECTION FOR EACH SOURCE AND THE LOAD IS OPTIONAL. WHEN PROVIDED IT IS IN ONE OF THE FOLLOWING FORMATS.
A. SOLID NEUTRAL
B. SWITCHED NEUTRAL POLE
C. OVERLAPPING NEUTRAL POLE (NOT AVAILABLE ON CLOSED OR DELAYED TRANSITION)
- UL 1008 OR CSA C22.2 NO.178.1

TERMINATIONS 100A-150A

- SUPPLIED WITH MECHANICAL (SCREW TYPE) LUGS FOR CU/AL CABLE.
SOURCE 1 (NORMAL): (1) #4-3/0 PER PHASE PHASE & NEUTRAL
LOAD: (1) #4 - 600MCM OR (2) 1/0 - 250MCM PER PHASE & NEUTRAL
SOURCE 2 (EMERGENCY): (1) #4 - 600MCM OR (2) 1/0 - 250MCM PER PHASE & NEUTRAL
GROUND: (3) #4 - 600MCM OR (6) 1/0 - 250MCM.
A. SUITABLE WIRE BENDING SPACE IS PROVIDED AS PER NEC.
- OPTIONAL LUGS MAY BE SUPPLIED.

TERMINATIONS 175A

- SUPPLIED WITH MECHANICAL (SCREW TYPE) LUGS FOR CU/AL CABLE.
SOURCE 1 (NORMAL): (1) #4-4/0 PER PHASE PHASE & NEUTRAL
LOAD: (1) #4 - 600MCM OR (2) 1/0 - 250MCM PER PHASE & NEUTRAL
SOURCE 2 (EMERGENCY): (1) #4 - 600MCM OR (2) 1/0 - 250MCM PER PHASE & NEUTRAL
GROUND: (3) #4 - 600MCM OR (6) 1/0 - 250MCM.
A. SUITABLE WIRE BENDING SPACE IS PROVIDED AS PER NEC.
- OPTIONAL LUGS MAY BE SUPPLIED.

TERMINATIONS 200A-250A

- SUPPLIED WITH MECHANICAL (SCREW TYPE) LUGS FOR CU/AL CABLE.
SOURCE 1 (NORMAL): (1) 3/0 - 350MCM PER PHASE PHASE & NEUTRAL
LOAD: (1) #4 - 600MCM OR (2) 1/0 - 250MCM PER PHASE & NEUTRAL
SOURCE 2 (EMERGENCY): (1) #4 - 600MCM OR (2) 1/0 - 250MCM PER PHASE & NEUTRAL
GROUND: (3) #4 - 600MCM OR (6) 1/0 - 250MCM.
A. SUITABLE WIRE BENDING SPACE IS PROVIDED AS PER NEC.
- OPTIONAL LUGS MAY BE SUPPLIED.

TERMINATIONS 400A

- SUPPLIED WITH MECHANICAL (SCREW TYPE) LUGS FOR CU/AL CABLE.
SOURCE 1 (NORMAL): (2) 2/0 - 250MCM PER PHASE & NEUTRAL
LOAD: (1) #4 - 600MCM OR (2) 1/0 - 250MCM PER PHASE & NEUTRAL
SOURCE 2 (EMERGENCY): (1) #4 - 600MCM OR (2) 1/0 - 250MCM PER PHASE & NEUTRAL
GROUND: (3) #4 - 600MCM OR (6) 1/0 - 250MCM.
A. SUITABLE WIRE BENDING SPACE IS PROVIDED AS PER NEC.
- OPTIONAL LUGS MAY BE SUPPLIED.

CIRCUIT BREAKER: ITEM 52U

- SQUARE "D" 80% RATED TYPE "HL", 150AF/100AT, 150AF/150AT MANUALLY OPERATED, THERMAL MAGNETIC TRIP SETTINGS.
SHORT CIRCUIT RATING: AIC 100,000 RMS SYM @ 480V
- OPTIONAL 100% RATED.
- U.L. 489

CIRCUIT BREAKER: ITEM 52U

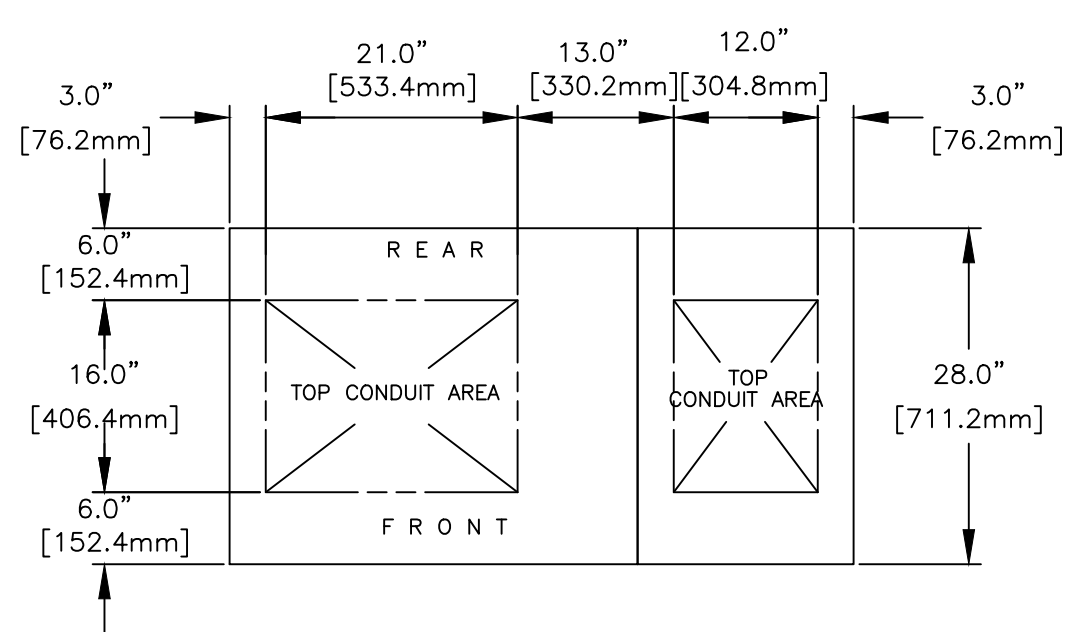
- SQUARE "D" 80% RATED TYPE "JL", 250AF/175AT, 250AF/200AT, 250AF/225AT, 250AF/250AT MANUALLY OPERATED, THERMAL MAGNETIC TRIP SETTINGS.
SHORT CIRCUIT RATING: AIC 100,000 RMS SYM @ 480V
- OPTIONAL 100% RATED.
- U.L. 489

CIRCUIT BREAKER: ITEM 52U

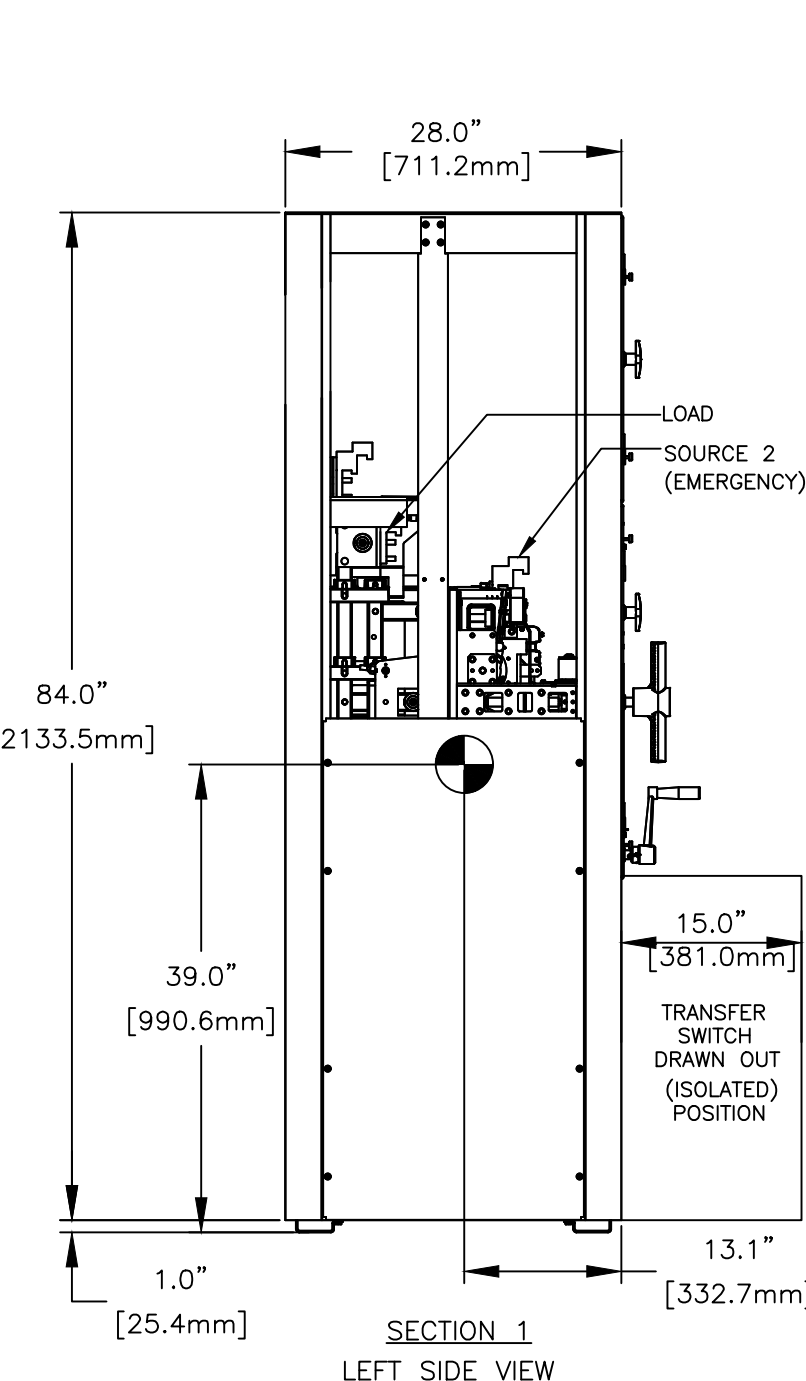
- SQUARE "D" 80% RATED TYPE "LL", 600AF/400AT, MANUALLY OPERATED, ELECTRONIC TRIP UNIT WITH LONG AND INSTANTANEOUS TRIP SETTINGS.
SHORT CIRCUIT RATING: AIC 100,000 RMS SYM @ 480V
- OPTIONAL 100% RATED.
- U.L. 489

WIRING/CABLING

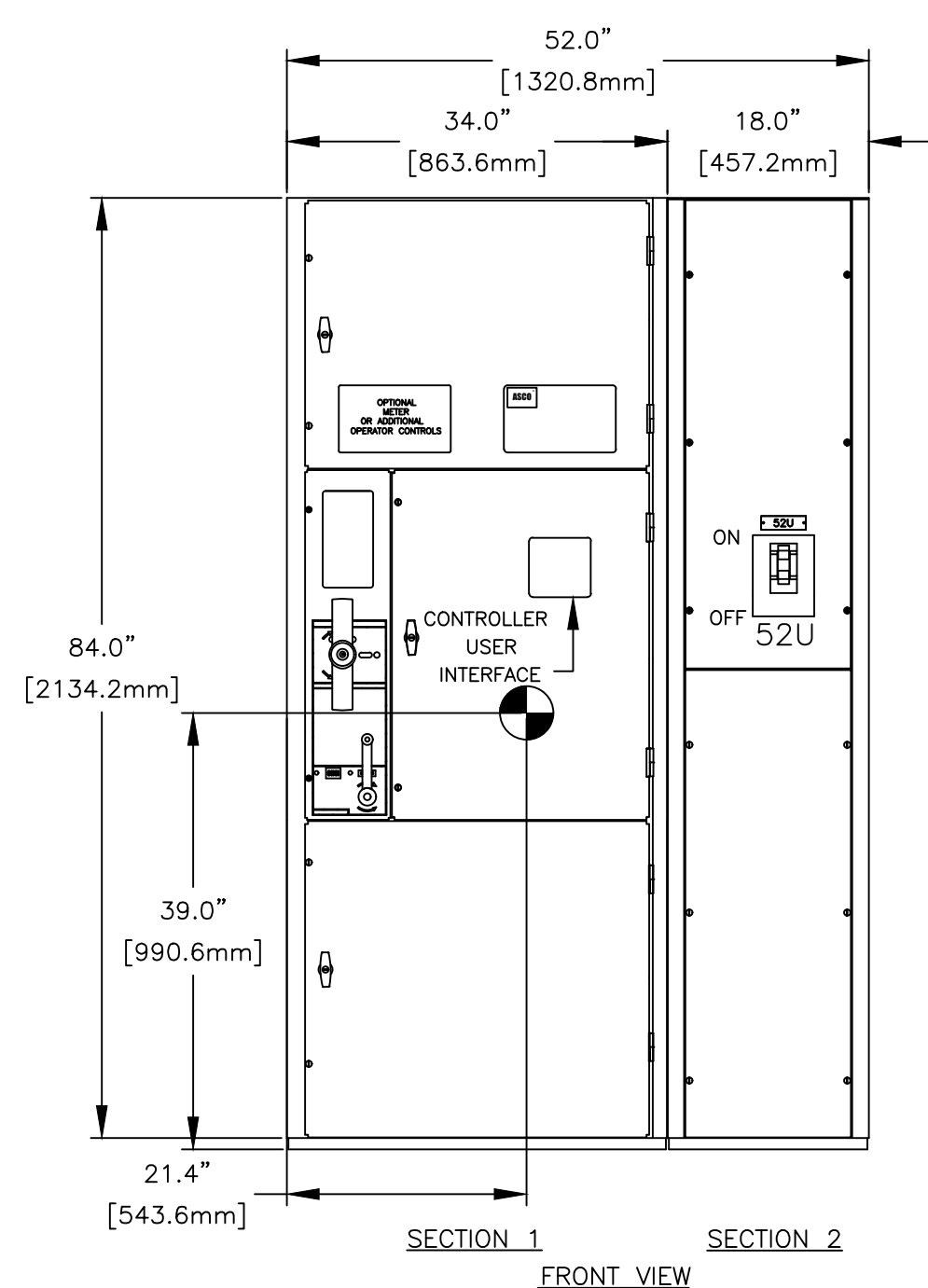
- USE 90°C MINIMUM CU/AL WIRE FOR POWER CABLES.
- WIRE SIZE TO BE BASED ON AMPACITY OF 75°C WIRE.
- USE 60°C MINIMUM CU WIRE FOR CONTROLS.



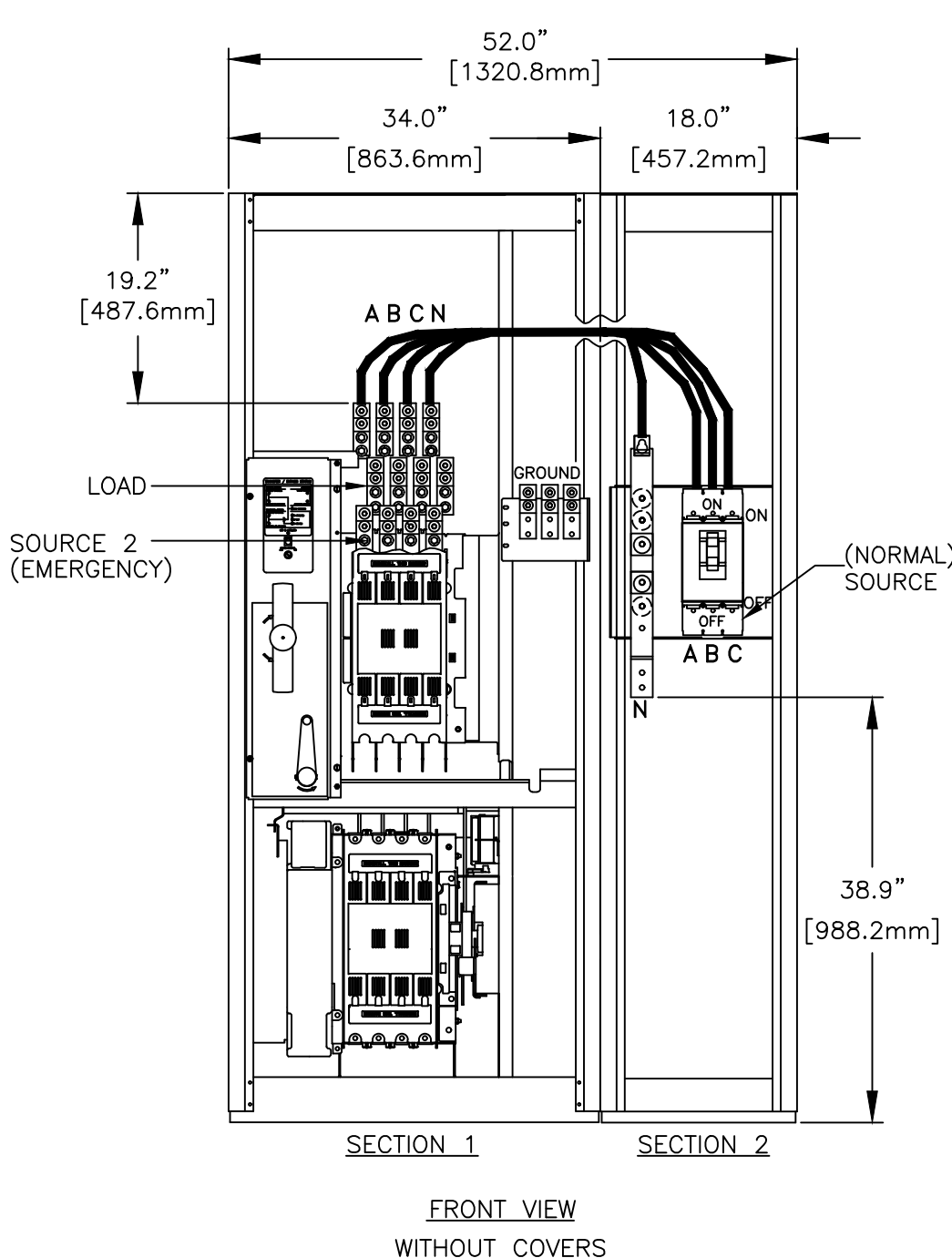
SECTION 1 TOP VIEW SECTION 2



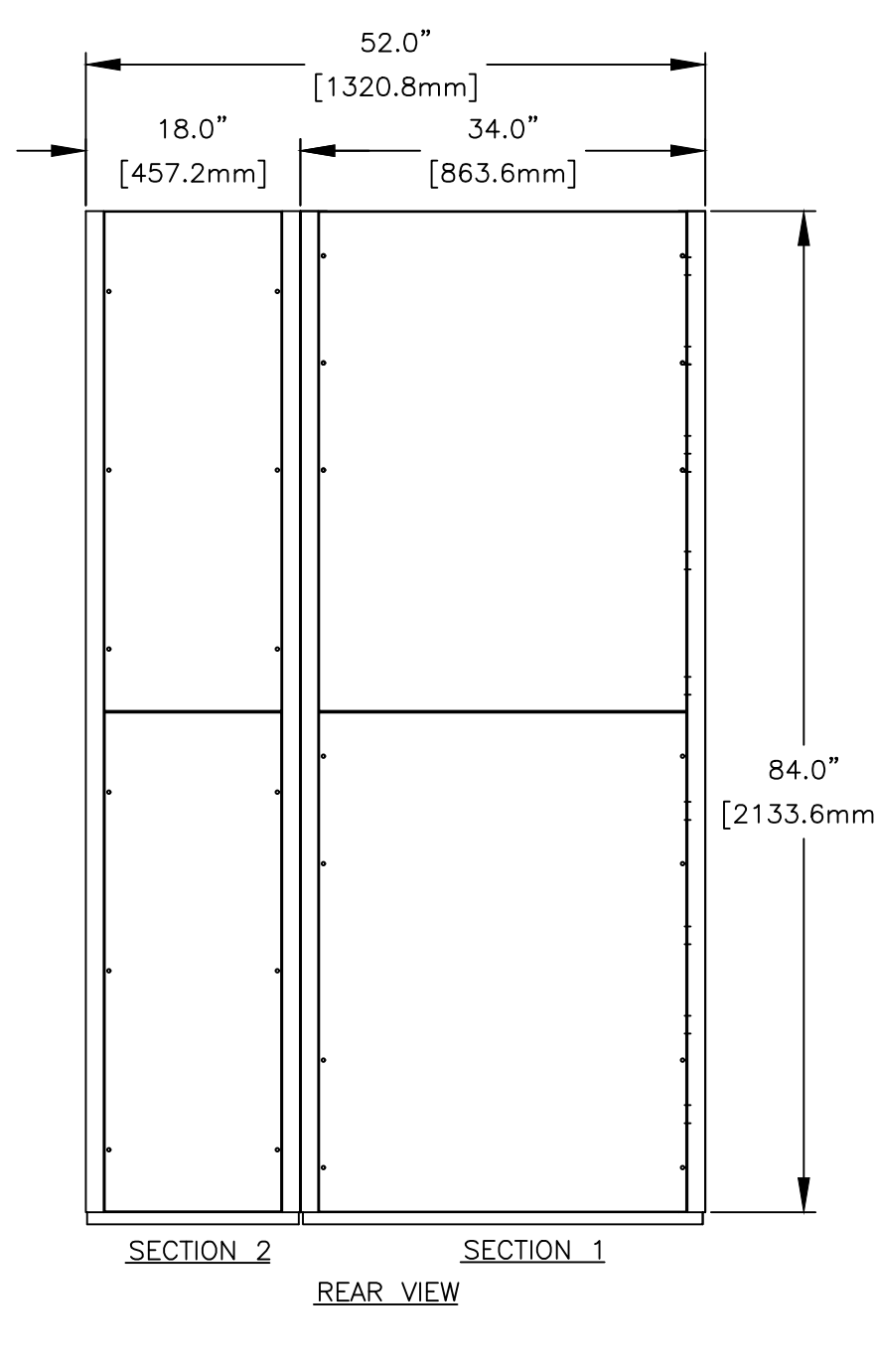
SECTION 1 LEFT SIDE VIEW



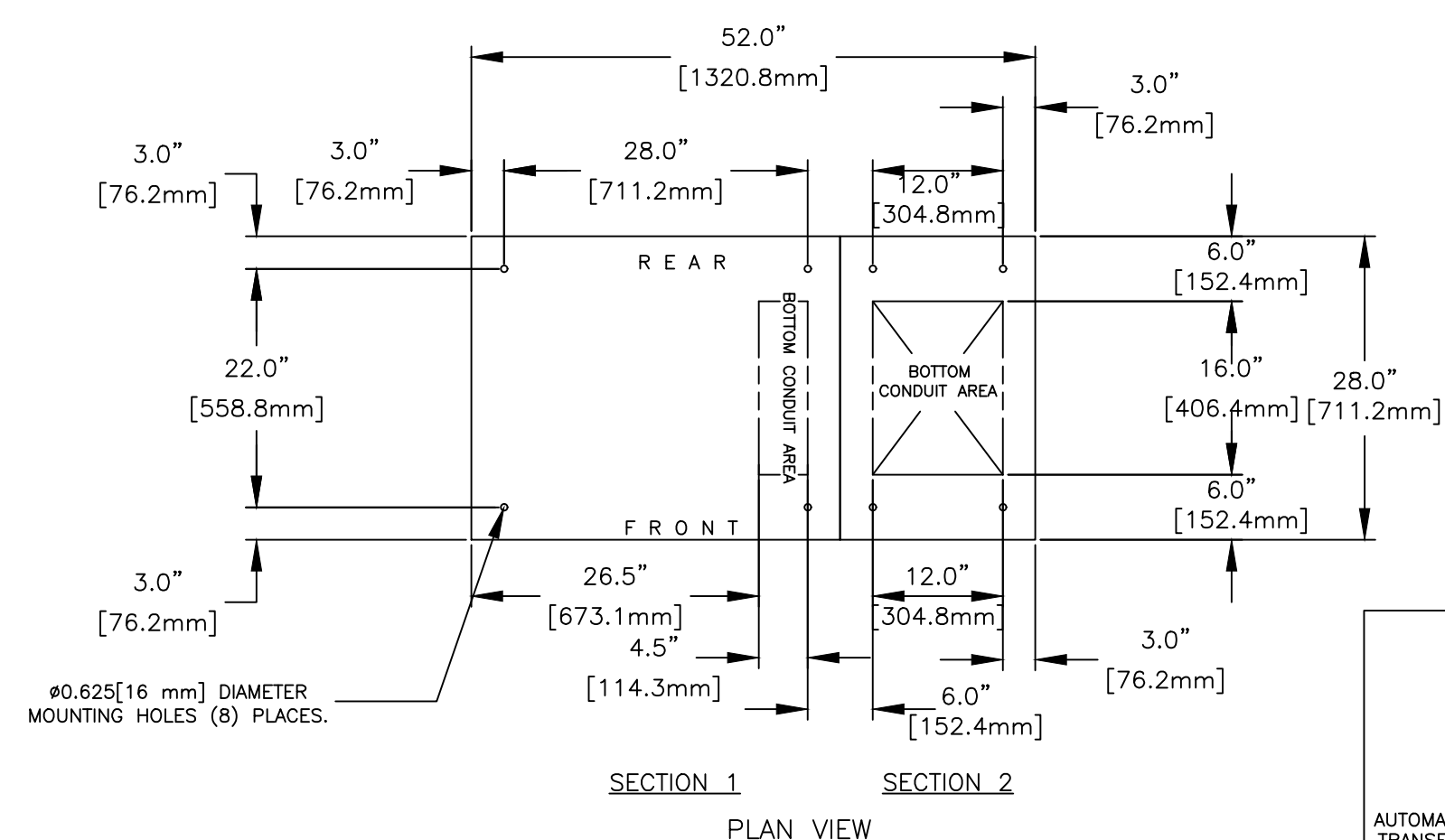
SECTION 1 FRONT VIEW SECTION 2



SECTION 1 FRONT VIEW WITHOUT COVERS SECTION 2

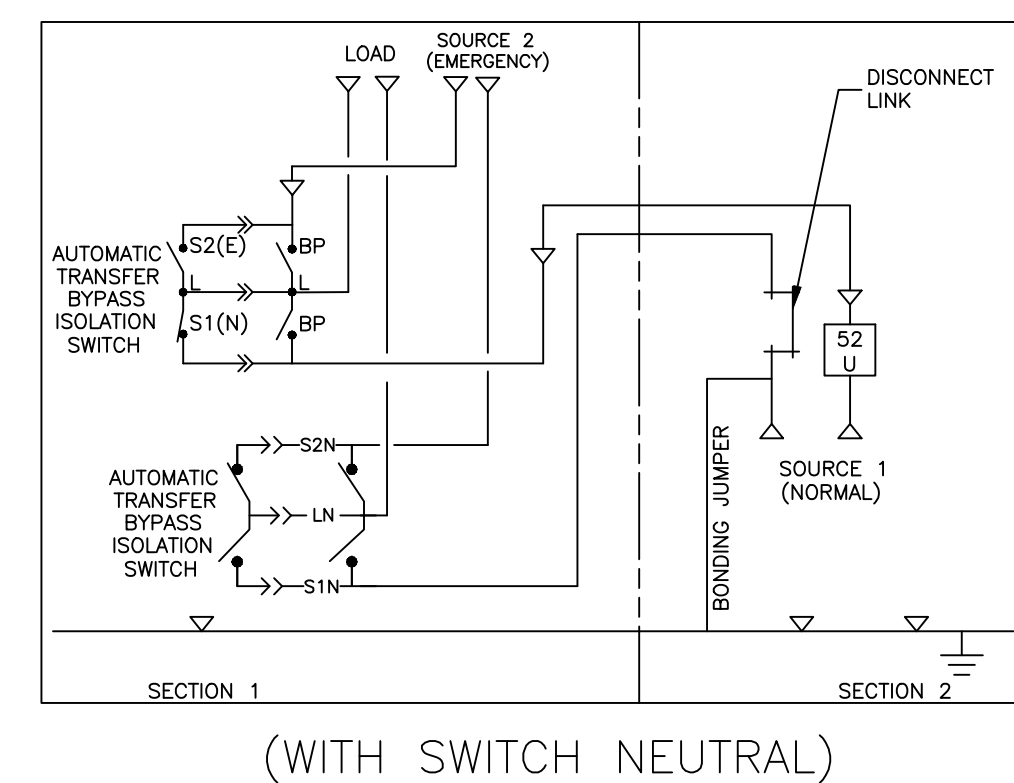


SECTION 2 REAR VIEW SECTION 1

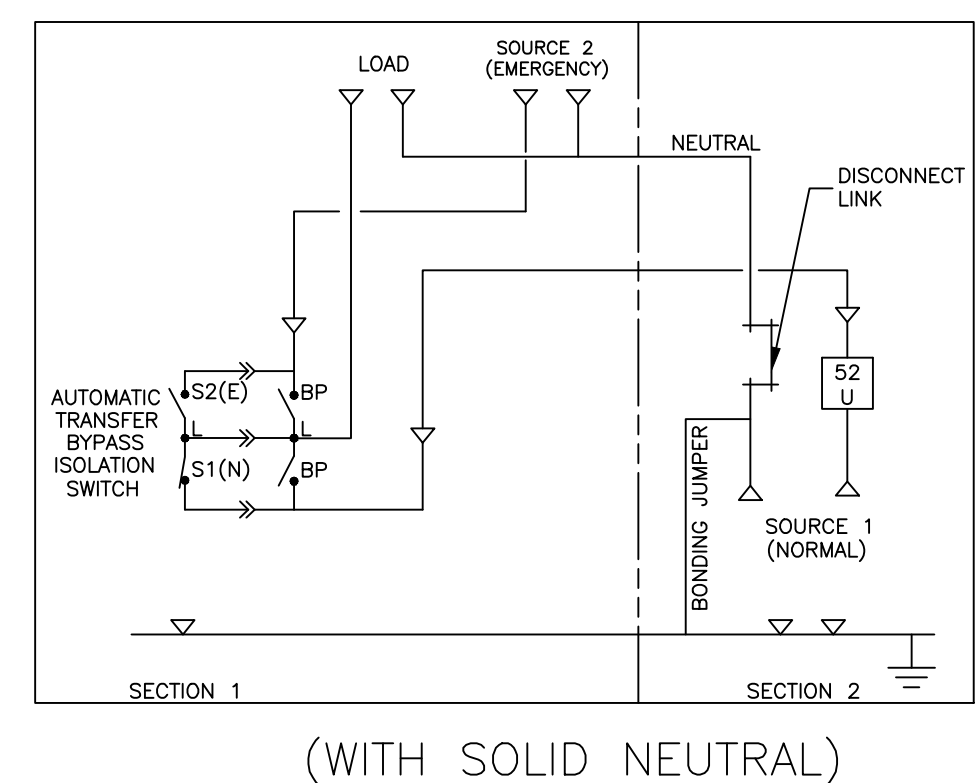


SECTION 1 PLAN VIEW SECTION 2

ONE LINE DIAGRAM



(WITH SWITCH NEUTRAL)



(WITH SOLID NEUTRAL)

SEE TABLE 1 FOR METRIC TERMINATIONS

TABLE 1	
14 AWG	2.5mm ²
6 AWG	16mm ²
4 AWG	25mm ²
1/0 AWG	50mm ²
2/0 AWG	70mm ²
3/0 AWG	95mm ²
4/0 AWG	120mm ²
250 MCM	120mm ²
300 MCM	150mm ²
350 MCM	185mm ²
400 MCM	240mm ²
500 MCM	240mm ²
600 MCM	300mm ²
750 MCM	400mm ²

PROJECT NAME: OUTLINE MOUNTING		REV. TO SHEET	305254	YK	MCH	09/04/23
JAUB 100A-400A, HL/JL/LL SE BREAKER ON SOURCE 1 (NORMAL)		ECN NO.		BY	APP.	DATE
TYPE 1, 85 X 52 X 28, FRONT CONNECTED.		ASSEMB. REF. NO.		COMPUTER GENERATED DRAWING		
DRAWN BY	YK	DATE	09/01/23	MANUFACTURING TOLERANCES TO BE IN ACCORDANCE WITH ASCO PROCEDURE MP-1-003. FOR PLASTIC PARTS SEE MP-1-055		
CHECKED	MCH	PROPERTY OF ASCO POWER TECHNOLOGIES. USE PERMITTED FOR OUR WORK ONLY. ALL RIGHTS OF DESIGN OR INVENTION ARE RESERVED.		SCALE 1/16" = 1" SIZE DS		
PROJECT APPROVAL		DWG. NO. 843100-001		SHEET 10F1		
FINAL APPROVAL		ASCO POWER TECHNOLOGIES, LP. FLORHAM PARK, NEW JERSEY 07932 U.S.A.		DRAWING NO. 305254		