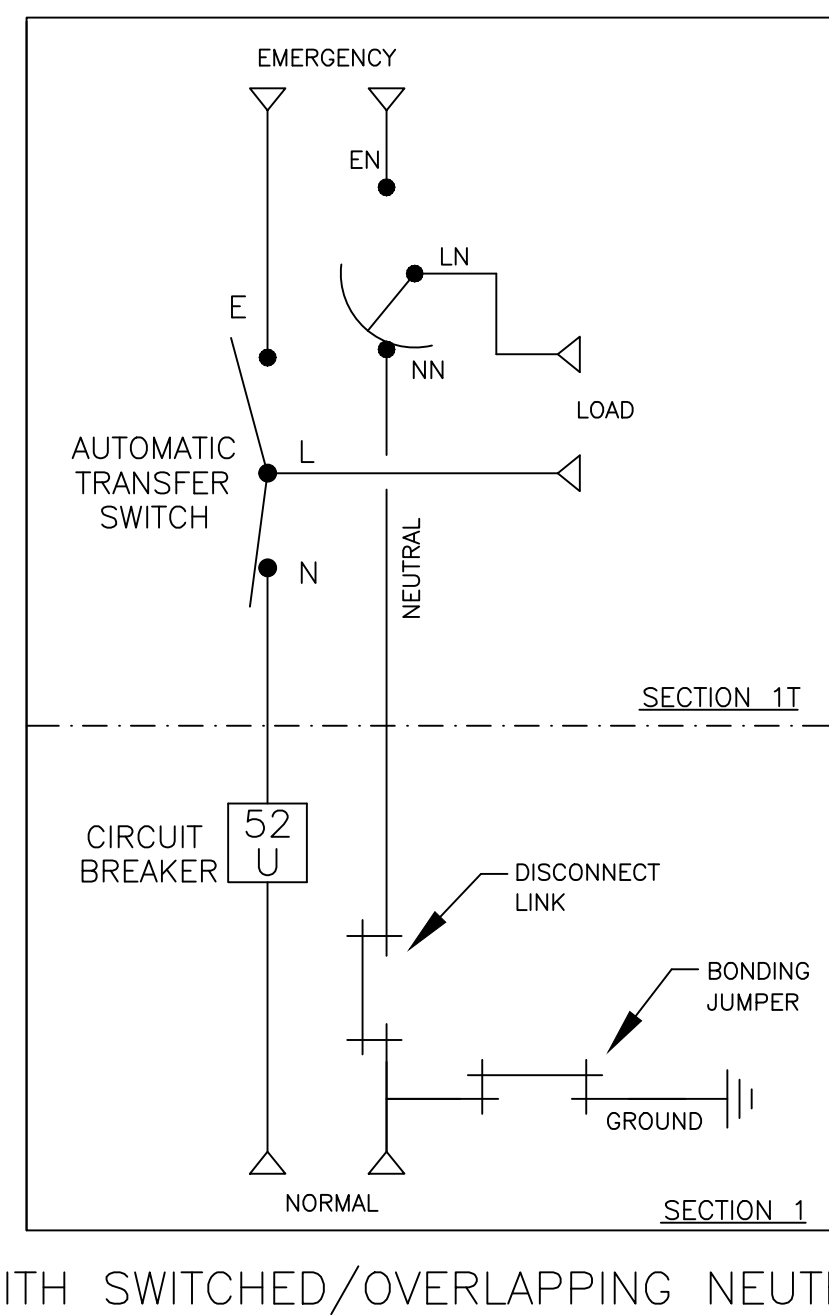
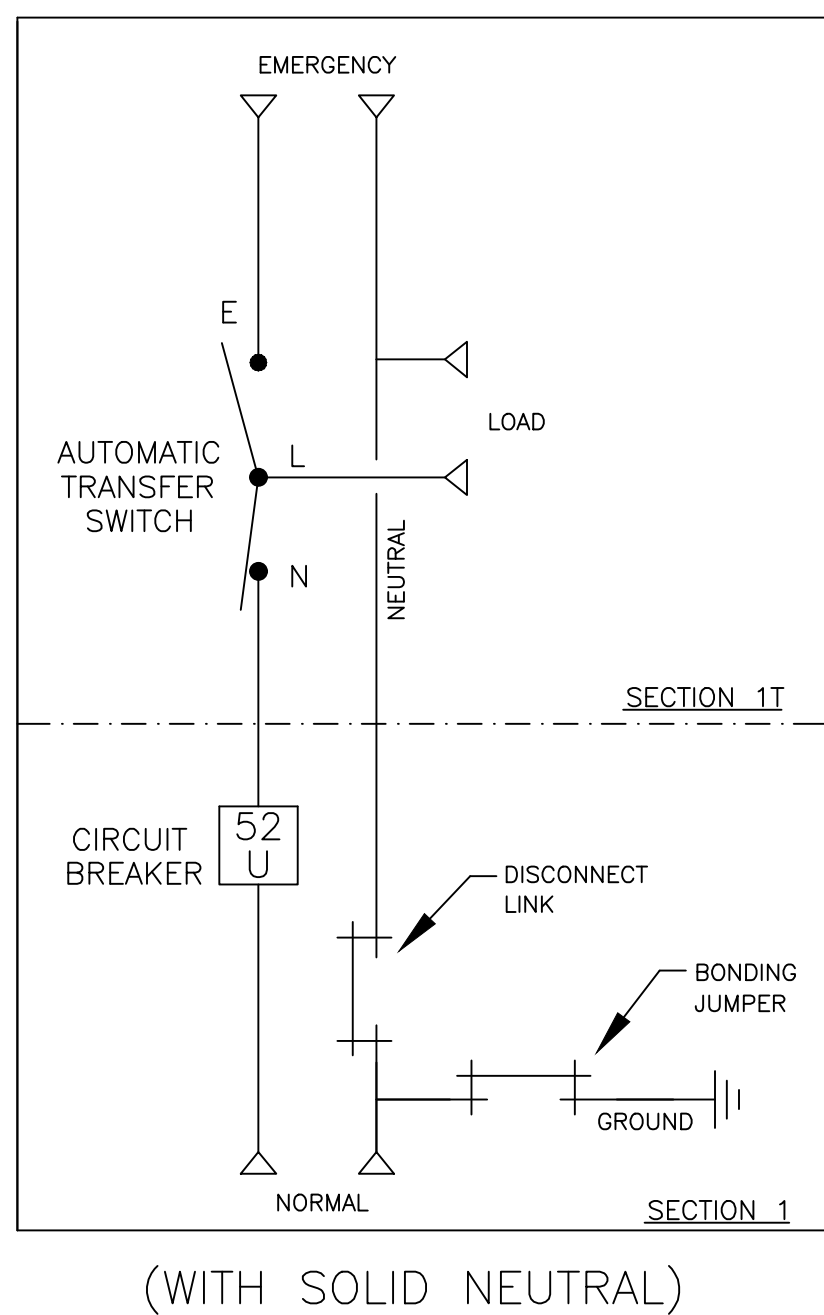


ONE LINE DIAGRAMS



GENERAL NOTES

- FLOOR MOUNTED ENCLOSURE. TYPE 3R CONSTRUCTED FROM CODE GAUGE STEEL. FINISH: TYPE 3R, ANSI 61 GRAY POLYESTER SEMI GLOSS ELECTROSTATIC POWDER. TYPE 3RX EXTERIOR CONSTRUCTED FROM CODE GAUGE STAINLESS STEEL. (R) EXTERIOR CONSTRUCTED FROM TYPE 304 STAINLESS STEEL. (S) EXTERIOR CONSTRUCTED FROM TYPE 316 STAINLESS STEEL.
- EXTERIOR DOORS HAVE PADLOCKABLE HANDLES WITH 3-POINT LATCH
- DESIGNED FOR FRONT ACCESS.
- RECOMMENDED CLEARANCES: FRONT: 36" REAR: NONE
- LIFTING PLATES: SECTIONS ARE SUPPLIED WITH LIFTING PLATES. INSPECT PLATES FOR DAMAGE AND TORQUE BOLTS TO 45 FT LBS BEFORE USE. REFER TO ANSI/NEMA PB 2.1 FOR PROPER HANDLING OF EQUIPMENT. AFTER INSTALLATION OF SECTION, REMOVE LIFTING PLATES. REINSTALL BOLTS INTO EXTERIOR HOLES AND TORQUE TO APPROXIMATELY 20 FT LBS.
- SECTION 1 & 1T SHIP AS ONE UNIT
- APPROXIMATE WEIGHT: 1350 LBS

SYSTEM NOTES

- SYSTEM RATING: 800 AMPS. SHORT CIRCUIT RATING: 65,000 RMS SYM @ 480V. THE EMERGENCY SOURCE INPUT MUST BE PROTECTED BY A REMOTE OVERCURRENT PROTECTION DEVICE AS LISTED ON THE MARKINGS ON THE TRANSFER SWITCH.
- ALL BUS IS SILVER-PLATED COPPER, BASED ON 1000A PER SQ. IN. DENSITY.
- GROUND: 20% RATED.
- NEUTRAL: 100% RATED.
- APPLICABLE LABEL(S): U.L. 891, SUITABLE ONLY FOR USE AS SERVICE EQUIPMENT.

TRANSFER SWITCH

- H FRAME AUTOMATIC TRANSFER SWITCH 800A.
- TRANSFER SWITCH RATING: 800 AMPS. SHORT CIRCUIT RATING WHEN PROTECTED BY A CIRCUIT BREAKER TIME RESPONSE, MAXIMUM 0.05 SECONDS: 50,000 RMS SYM @ 480V. SPECIFIC BREAKER RATING: 65,000 RMS SYM @ 480V.
- A FULL RATED NEUTRAL CONNECTION FOR EACH SOURCE AND THE LOAD IS OPTIONAL. WHEN PROVIDED IT IS IN ONE OF THE FOLLOWING FORMATS.
 - SOLID NEUTRAL
 - SWITCHED NEUTRAL POLE
 - OVERLAPPING NEUTRAL POLE
- UL 1008

TERMINATIONS 800A

- SUPPLIED WITH MECHANICAL (SCREW TYPE) LUGS FOR CU/AL CABLE. NORMAL(52U): (3) 3/0 - 500MCM CU/AL CABLE PER PHASE & NEUTRAL. LOAD: (4) 1/0 - 600MCM PER PHASE & NEUTRAL. EMERGENCY: (4) 1/0 - 600MCM PER PHASE & NEUTRAL. GROUND: (12) 1/0 - 600MCM. A. SUITABLE WIRE BENDING SPACE IS PROVIDED AS PER NEC.
- OPTIONAL LUGS MAY BE SUPPLIED.

CIRCUIT BREAKER: ITEM 52U

- SQUARE "D" 80% RATED TYPE 'MJL' MOLDED CASE CIRCUIT BREAKER 800AF/800AT. ELECTRONIC TRIP UNIT WITH LONG DELAY AND INSTANTANEOUS TRIP SETTINGS. SHORT CIRCUIT RATING: AIC 65,000 RMS SYM @ 480V.
- U.L. 489

D	293045	CHS	RN	12/27/21
	SEE ECN			
C	249316	SM	RN	
	SEE ECN			
B	249161	SV	RN	
	SEE ECN			
A	248043	RN		
	SEE ECN			
-	225441	SV	RN	12/11/09
	NEW ISSUE			

PROJECT NAME:		REV. TO SHEET	ECN NO.	BY	APP.	DATE
OUTLINE		MOUNTING				
HAUS 800A, MJL SERVICE ENTRANCE BREAKER						
TYPE 3R/3RX 95.5 X 41 X 33						
DRAWN BY	BY	DATE	MANUFACTURING TOLERANCES TO BE IN ACCORDANCE WITH ASCO PROCEDURE MP-1-003. FOR PLASTIC PARTS SEE MP-1-055	ASSEM. REF. NO.	COMPUTER GENERATED DRAWING	
CHECKED	SV	12/14/09	PROPERTY OF ASCO POWER TECHNOLOGIES. USE PERMITTED FOR OUR WORK ONLY. ALL RIGHTS OF DESIGN OR INVENTION ARE RESERVED.		SCALE 1/16" = 1" SIZE	DS
PROJECT APPROVAL					DWG. NO.	882322-002
FINAL APPROVAL					DRAWING REV.	D
					ECN NO.	293045
					SHEET	1 OF 1

ASCO ASCO POWER TECHNOLOGIES, LP. FLORHAM PARK, NEW JERSEY 07932 U.S.A.