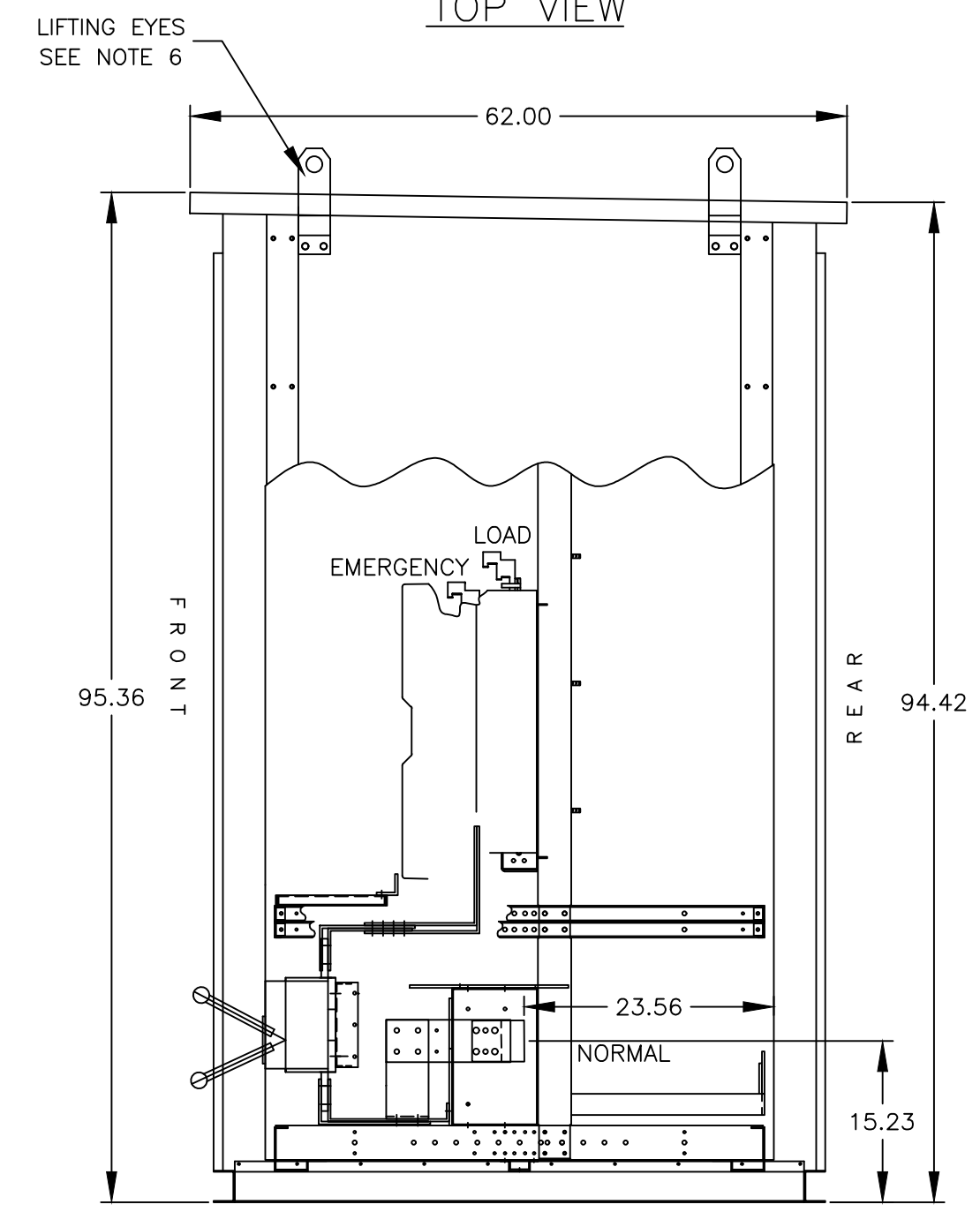
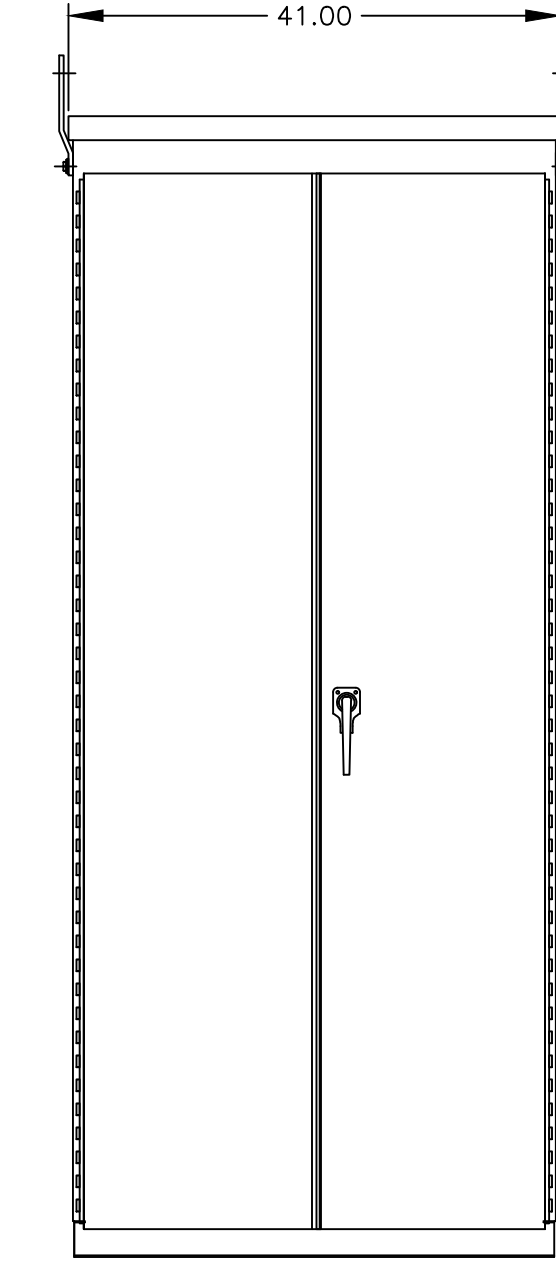


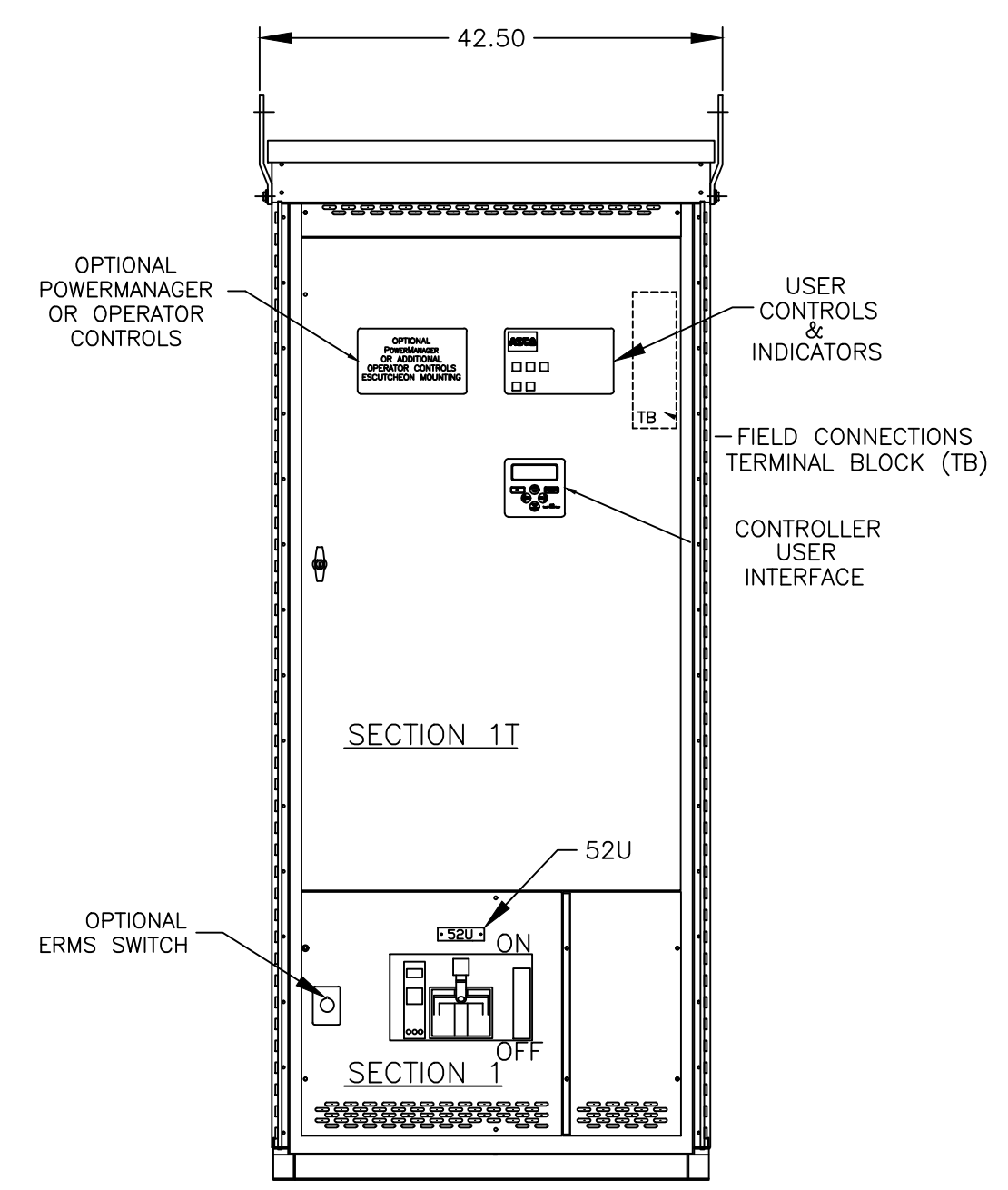
TOP VIEW



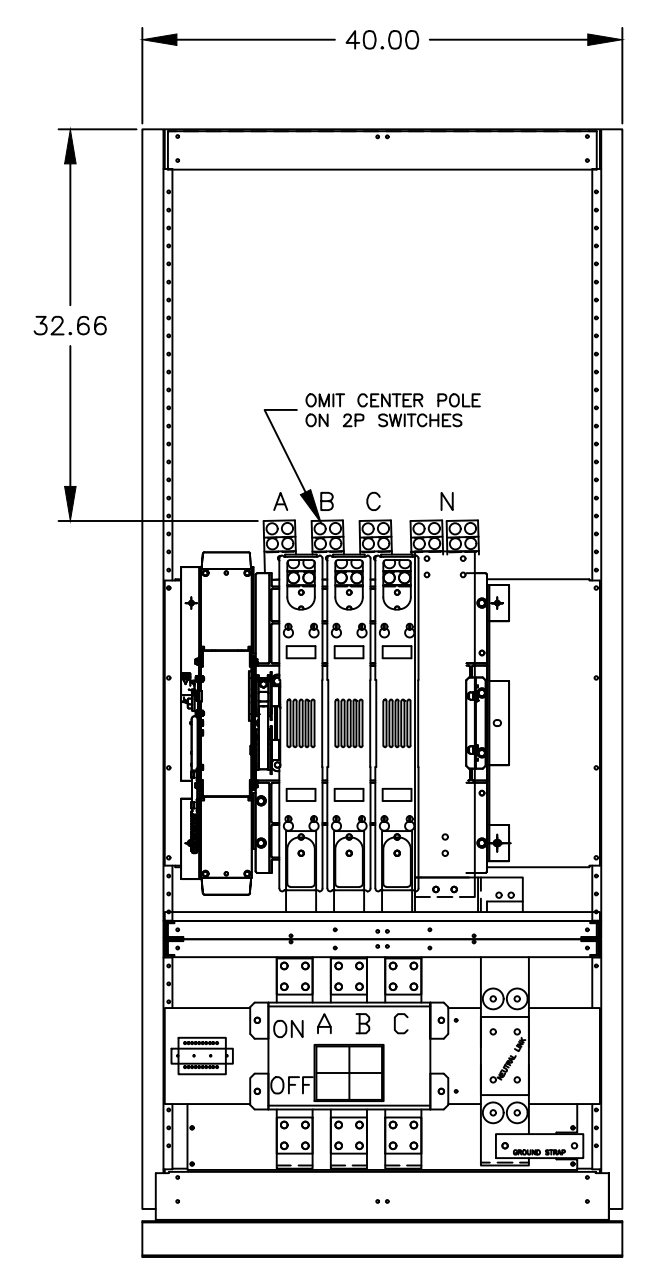
RIGHT SIDE VIEW



FRONT & REAR VIEW



FRONT VIEW



FRONT VIEW WITHOUT COVER

GENERAL NOTES

- FLOOR MOUNTED ENCLOSURE.
TYPE 3R CONSTRUCTED FROM CODE GAUGE STEEL.
FINISH: TYPE 3R, ANSI 61 GRAY POLYESTER SEMI GLOSS ELECTROSTATIC POWDER.
TYPE 3RX EXTERIOR CONSTRUCTED FROM CODE GAUGE STAINLESS STEEL.
(R) EXTERIOR CONSTRUCTED FROM TYPE 304 STAINLESS STEEL.
(S) EXTERIOR CONSTRUCTED FROM TYPE 316 STAINLESS STEEL.
- EXTERIOR DOORS HAVE PADLOCKABLE HANDLES WITH 3-POINT LATCH
- DESIGNED FOR FRONT & REAR ACCESS.
- RECOMMENDED CLEARANCES: FRONT: 36" REAR: 30"
- EXTERIOR VENTS ARE SUPPLIED WITH POLYESTER DUST FILTERS.
- LIFTING PLATES: SECTIONS ARE SUPPLIED WITH LIFTING PLATES. INSPECT PLATES FOR DAMAGE AND TORQUE BOLTS TO 45 FT LBS BEFORE USE. REFER TO ANSI/NEMA PB 2.1 FOR PROPER HANDLING OF EQUIPMENT. AFTER INSTALLATION OF SECTION, REMOVE LIFTING PLATES. REINSTALL BOLTS INTO EXTERIOR HOLES AND TORQUE TO APPROXIMATELY 20 FT LBS.
- EXTERIOR VENTS:
1000A: NO VENTS.
1200A: VENTS ARE SUPPLIED WITH POLYESTER DUST FILTERS.

SYSTEM NOTES

- SYSTEM RATING: 1000 AMPS, 1200 AMPS.
SHORT CIRCUIT RATING: 50,000 RMS SYM @ 480V.
THE EMERGENCY SOURCE MUST BE PROTECTED BY A REMOTE OVERCURRENT PROTECTION DEVICE AS LISTED ON THE MARKINGS ON THE TRANSFER SWITCH.
- ALL BUS IS SILVER-PLATED COPPER, BASED ON 1000A PER SQ. IN. DENSITY.
- GROUND: 20% RATED.
- NEUTRAL: 100% RATED.
- APPLICABLE LABEL(S): U.L. 891, SUITABLE ONLY FOR USE AS SERVICE EQUIPMENT.

TRANSFER SWITCH

- H FRAME AUTOMATIC TRANSFER SWITCH 1000A - 1200A.
- TRANSFER SWITCH RATING: 1000 AMPS, 1200 AMPS.
SHORT CIRCUIT RATING WHEN PROTECTED BY A CIRCUIT BREAKER
TIME RESPONSE, MAXIMUM 0.05 SECONDS: 50,000 RMS SYM @ 480V.
SPECIFIC BREAKER RATING: 65,000 RMS SYM @ 480V.
- A FULL RATED NEUTRAL CONNECTION FOR EACH SOURCE AND THE LOAD IS OPTIONAL. WHEN PROVIDED IT IS IN ONE OF THE FOLLOWING FORMATS.
A. SOLID NEUTRAL
B. SWITCHED NEUTRAL POLE
C. OVERLAPPING NEUTRAL POLE
- UL 1008

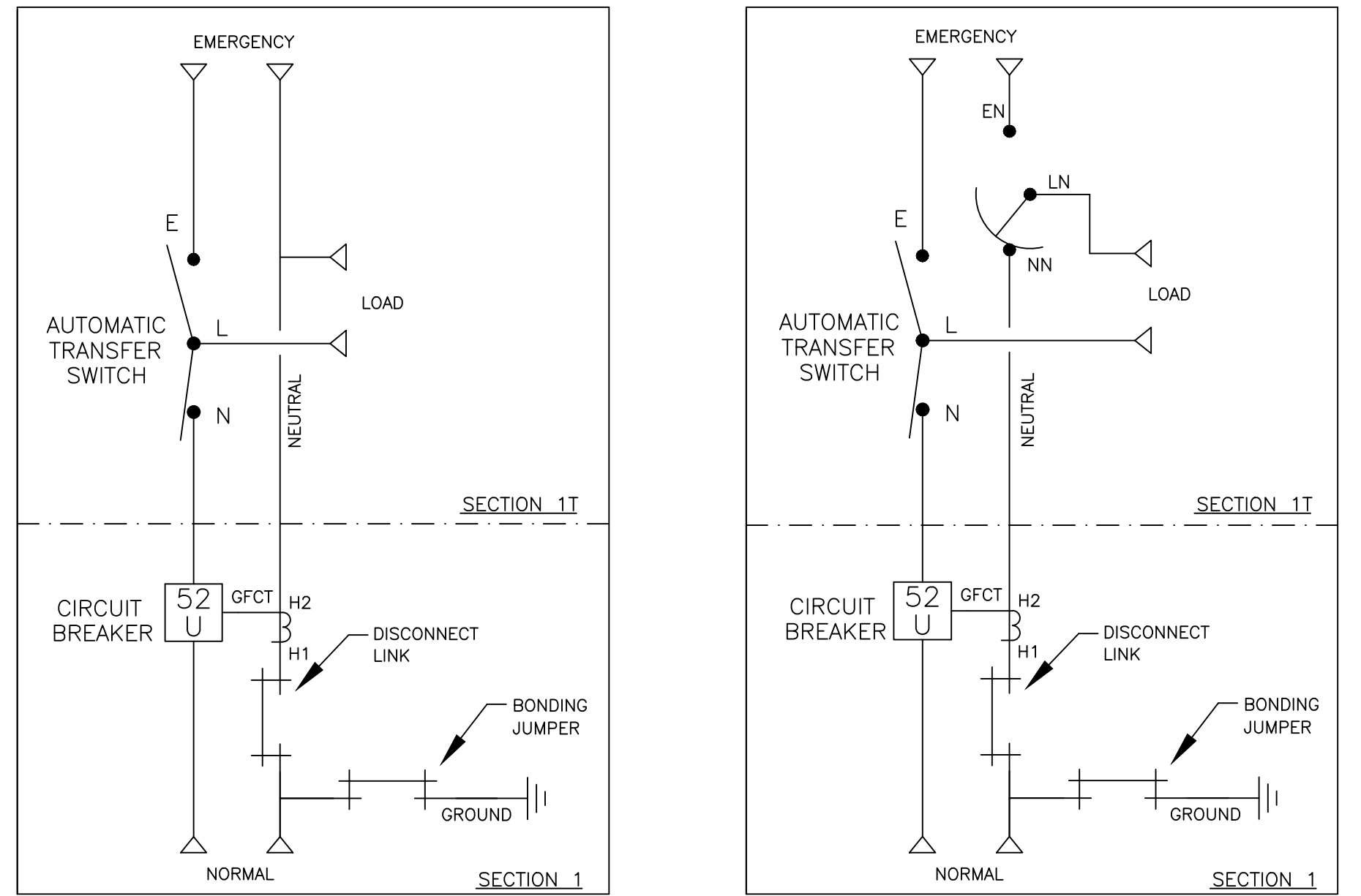
TERMINATIONS 1000A-1200A

- SUPPLIED WITH MECHANICAL (SCREW TYPE) LUGS FOR CU/AL CABLE.
NORMAL: (4) 1/0 - 600MCM PER PHASE & NEUTRAL
LOAD: (4) 1/0 - 600MCM PER PHASE & NEUTRAL
EMERGENCY: (4) 1/0 - 600MCM PER PHASE & NEUTRAL
GROUND: (12) 1/0 - 600MCM
A. SUITABLE WIRE BENDING SPACE IS PROVIDED AS PER NEC.
- OPTIONAL LUGS MAY BE SUPPLIED.

CIRCUIT BREAKER: ITEM 52U

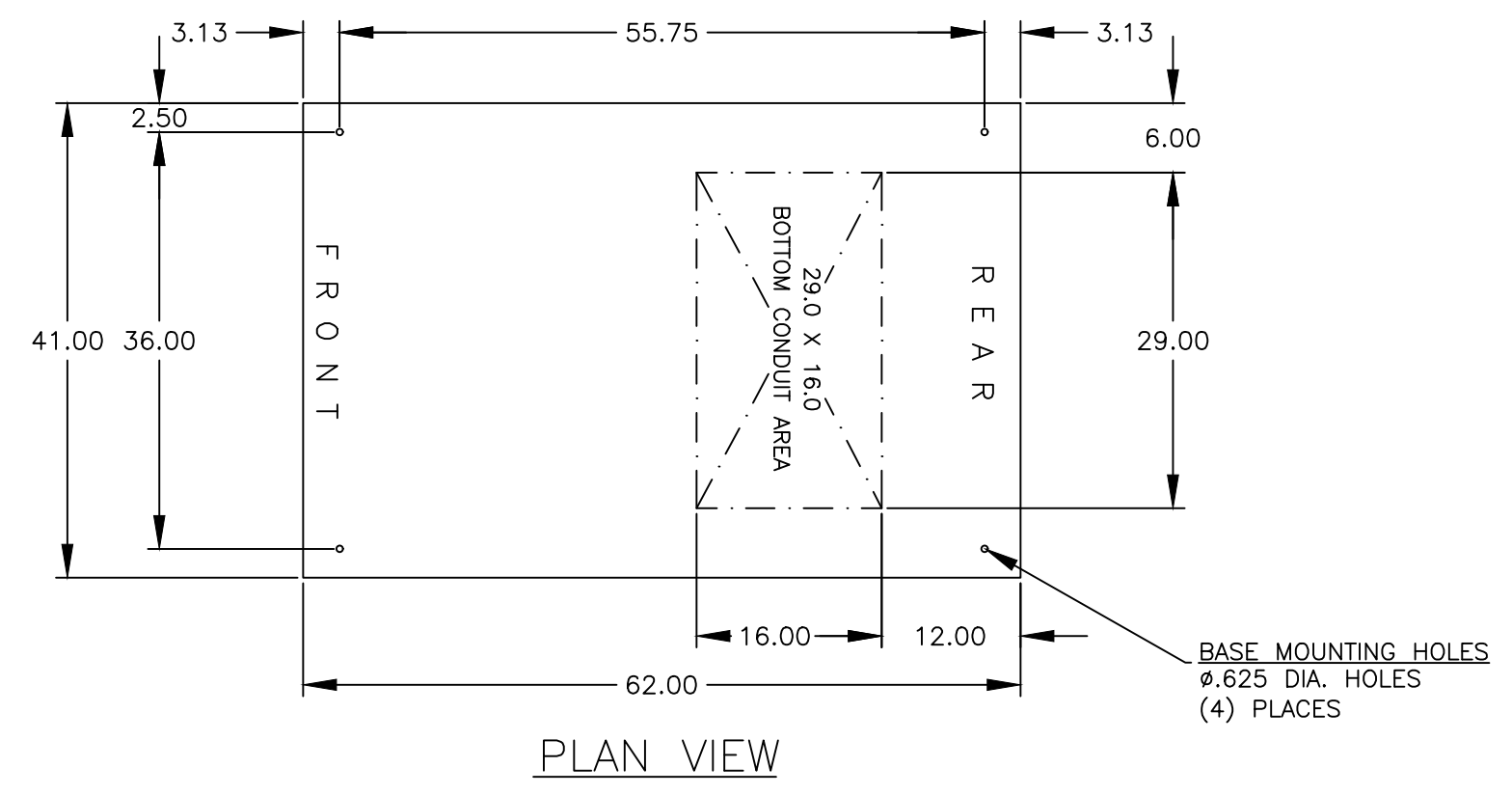
- SQUARE "D" 80% RATED TYPE "RJF", 3000AF/1000AT, 3000AF/1200AT, STATIONARY MOUNTED, MANUALLY OPERATED, WITH LONG DELAY, SHORT DELAY, INSTANTANEOUS AND GROUND FAULT TRIP SETTINGS. SHORT CIRCUIT RATING: AIC 65,000 RMS SYM @ 480V.
- OPTIONAL ENERGY REDUCTION MAINTENANCE SETTING SYSTEM MAY BE SUPPLIED.
- OPTIONAL 100% RATED
- U.L. 489

ONE LINE DIAGRAMS



(WITH SOLID NEUTRAL)

(WITH SWITCHED/OVERLAPPING NEUTRAL)



PLAN VIEW

J	277317	NC	RN	2/19/19
	SEE ECN			
H	264333	BG	RN	11/23/16
	SEE ECN			
G	261928	RG	RN	07/05/18
	SEE ECN			
F	253087	SG	RN	02/11/15
	SEE ECN			
E	248049	VAK	RN	
	SEE ECN			
D	245413	RN		11-14-13
	SEE ECN			
C	221393	DP	RN	1/14/09
	ADDED "80% RATED"			
B	218107	AE	WK	04/24/08
	SEE ECN			
A	213340	RN		5-10-07
	SEE ECN			

PROJECT NAME:		REV. TO SHEET		BY	APP.	DATE
OUTLINE		MOUNTING				
HAUS, 1000A - 1200A, RJF SE BREAKER ON NORMAL						
TYPE 3R/3RX, 96 X 41 X 62						
DRAWN BY	BY	DATE	MANUFACTURING TOLERANCES TO BE IN ACCORDANCE WITH ASCO PROCEDURE MP-1-003. FOR PLASTIC PARTS SEE MP-1-055	ASSEM. REF. NO.	COMPUTER GENERATED DRAWING	
CHECKED	RN	04/24/07	PROPERTY OF ASCO POWER TECHNOLOGIES. USE PERMITTED FOR OUR WORK ONLY. ALL RIGHTS OF DESIGN OR INVENTION ARE RESERVED.		SCALE 1/16" = 1" SIZE	DS
PROJECT APPROVAL					DWG. NO.	754578-051
FINAL APPROVAL					ASCO	ASCO POWER TECHNOLOGIES, LP. FLORHAM PARK, NEW JERSEY 07932 U.S.A.
					DRAWING REV.	K ECN NO. 295685 SHEET 1 OF 1