

**GENERAL NOTES**

- FLOOR MOUNTED ENCLOSURE. TYPE 12 CONSTRUCTED FROM CODE GAUGE STEEL. FINISH: ANSI 61 GRAY POLYESTER SEMI GLOSS ELECTROSTATIC POWDER.
- EXTERIOR DOOR HAS A PADLOCKABLE HANDLE WITH 3 POINT LATCH.
- DESIGNED FOR FRONT ACCESS.
- RECOMMENDED CLEARANCES: FRONT: 42" REAR: NONE

**SYSTEM NOTES**

- SYSTEM RATING: 800 AMPS. SHORT CIRCUIT RATING: 65,000 RMS SYM @ 480V. THE EMERGENCY SOURCE INPUT MUST BE PROTECTED BY A REMOTE OVERCURRENT PROTECTION DEVICE AS LISTED ON THE MARKINGS ON THE TRANSFER SWITCH.
- ALL BUS IS SILVER-PLATED COPPER, BASED ON 1000A PER SQ. IN. DENSITY.
- GROUND: 20% RATED.
- NEUTRAL: 100% RATED.
- APPLICABLE LABEL(S): U.L. 891, SUITABLE ONLY FOR USE AS SERVICE EQUIPMENT.

**TRANSFER SWITCH**

- H FRAME AUTOMATIC TRANSFER SWITCH 800A.
- TRANSFER SWITCH RATING: 800 AMPS. SHORT CIRCUIT RATING WHEN PROTECTED BY A CIRCUIT BREAKER TIME RESPONSE, MAXIMUM 0.05 SECONDS: 50,000 RMS SYM @ 480V. SPECIFIC BREAKER RATING: 65,000 RMS SYM @ 480V.
- A FULL RATED NEUTRAL CONNECTION FOR EACH SOURCE AND THE LOAD IS OPTIONAL. WHEN PROVIDED IT IS IN ONE OF THE FOLLOWING FORMATS.
  - SOLID NEUTRAL
  - SWITCHED NEUTRAL POLE
  - OVERLAPPING NEUTRAL POLE
- UL 1008

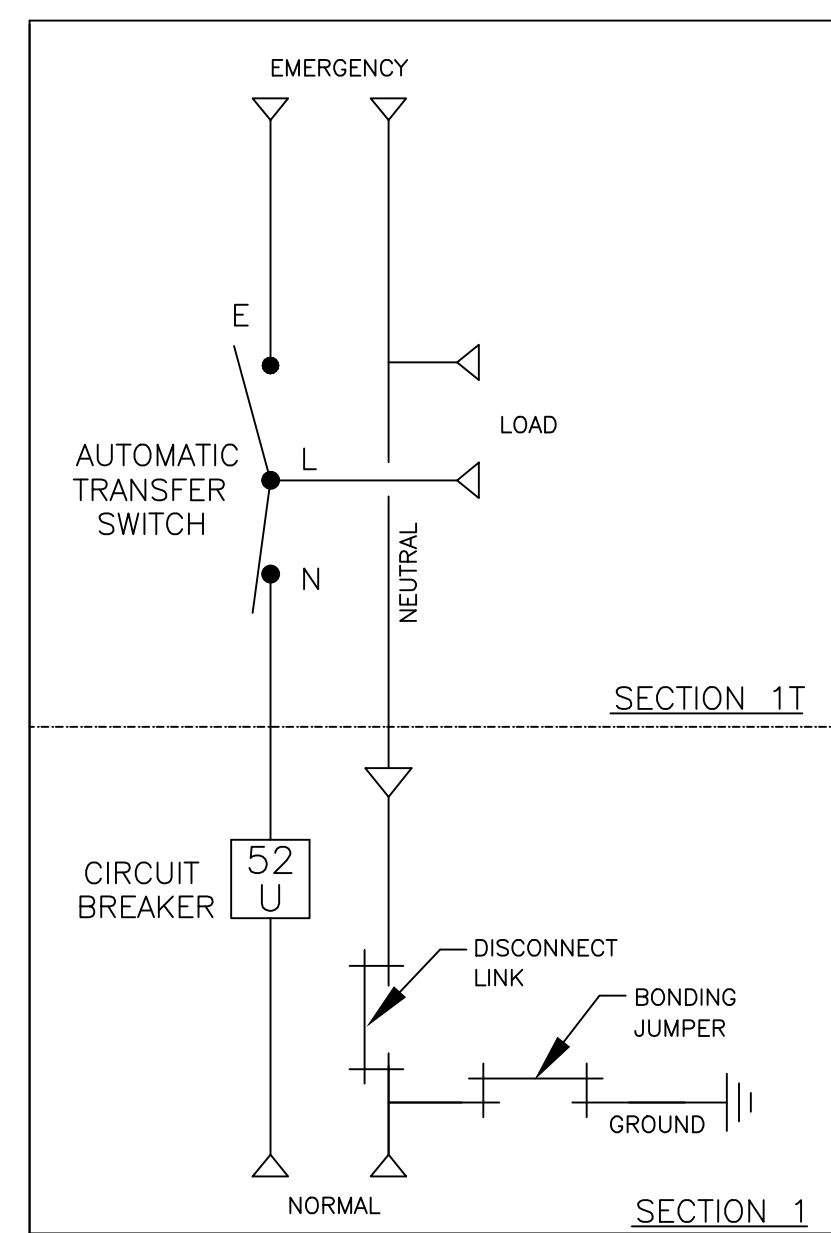
**TERMINATIONS 800A**

- SUPPLIED WITH MECHANICAL (SCREW TYPE) LUGS FOR CU/AL CABLE.
  - NORMAL(52U): (3) 3/0 - 500MCM PER PHASE & NEUTRAL
  - LOAD: (4) 1/0 - 600MCM PER PHASE & NEUTRAL
  - EMERGENCY: (4) 1/0 - 600MCM PER PHASE & NEUTRAL
  - GROUND: (12) 1/0 - 600MCM
- OPTIONAL LUGS MAY BE SUPPLIED.

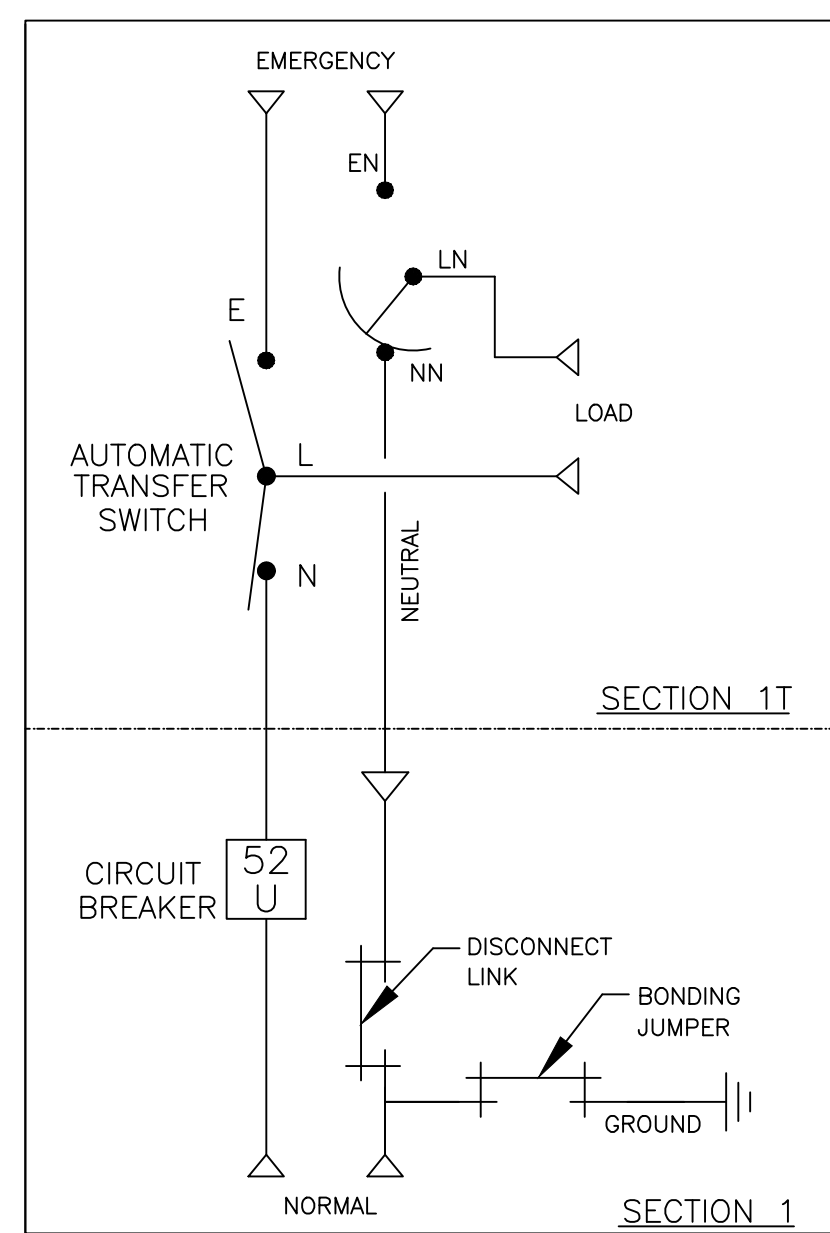
**CIRCUIT BREAKER: ITEM 52U**

- SQUARE "D" 80% RATED TYPE 'M.J.L.' MOLDED CASE CIRCUIT BREAKER 800AF/800AT. ELECTRONIC TRIP UNIT WITH A FIXED LONG TIME AND AN ADJUSTABLE INSTANTANEOUS SETTING. SHORT CIRCUIT RATING: AIC 65,000 RMS SYM @ 480V.
- U.L. 489

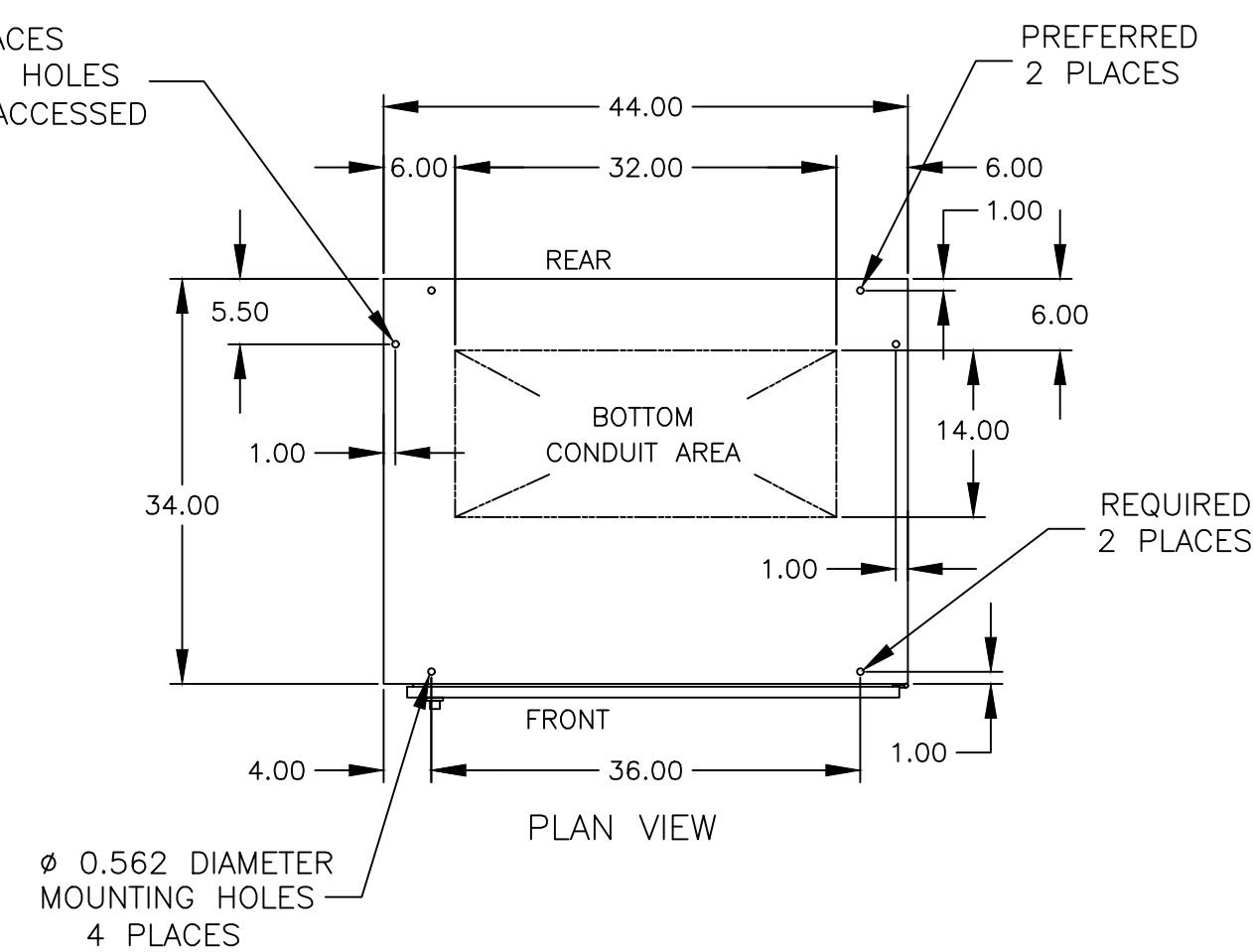
**ONE LINE DIAGRAMS**



(WITH SOLID NEUTRAL)



(WITH SWITCHED NEUTRAL)



B	303475	NIK	MCH	05/03/23
A	293045	CHS	RN	12/27/21
	275187	VAK	RN	10-11-18
				NEW ISSUE

PROJECT NAME:		REV. TO SHEET	ECN NO.	BY	APP.	DATE
OUTLINE		MOUNTING				
HAUS 800A, MJL SERVICE ENTRANCE BREAKER ON NORMAL						
TYPE 12 100 X 44 X 34, SECTION 1 & 1T						
DRAWN BY	VAK	DATE	10-11-18	MANUFACTURING TOLERANCES TO BE IN ACCORDANCE WITH ASCO PROCEDURE MP-1-003. FOR PLASTIC PARTS SEE MP-1-055		ASSEM. REF. NO.
CHECKED	RN			PROPERTY OF ASCO POWER TECHNOLOGIES. USE PERMITTED FOR OUR WORK ONLY. ALL RIGHTS OF DESIGN OR INVENTION ARE RESERVED.		COMPUTER GENERATED DRAWING
PROJECT APPROVAL				SCALE 1/16" = 1" SIZE DS		DWG. NO.
FINAL APPROVAL				882322-052		DRAWING B
				ASCO® ASCO POWER TECHNOLOGIES, LP. FLOHAM PARK, NEW JERSEY 07932 U.S.A.		ECN NO. 303475
				SHEET 1 OF 1		