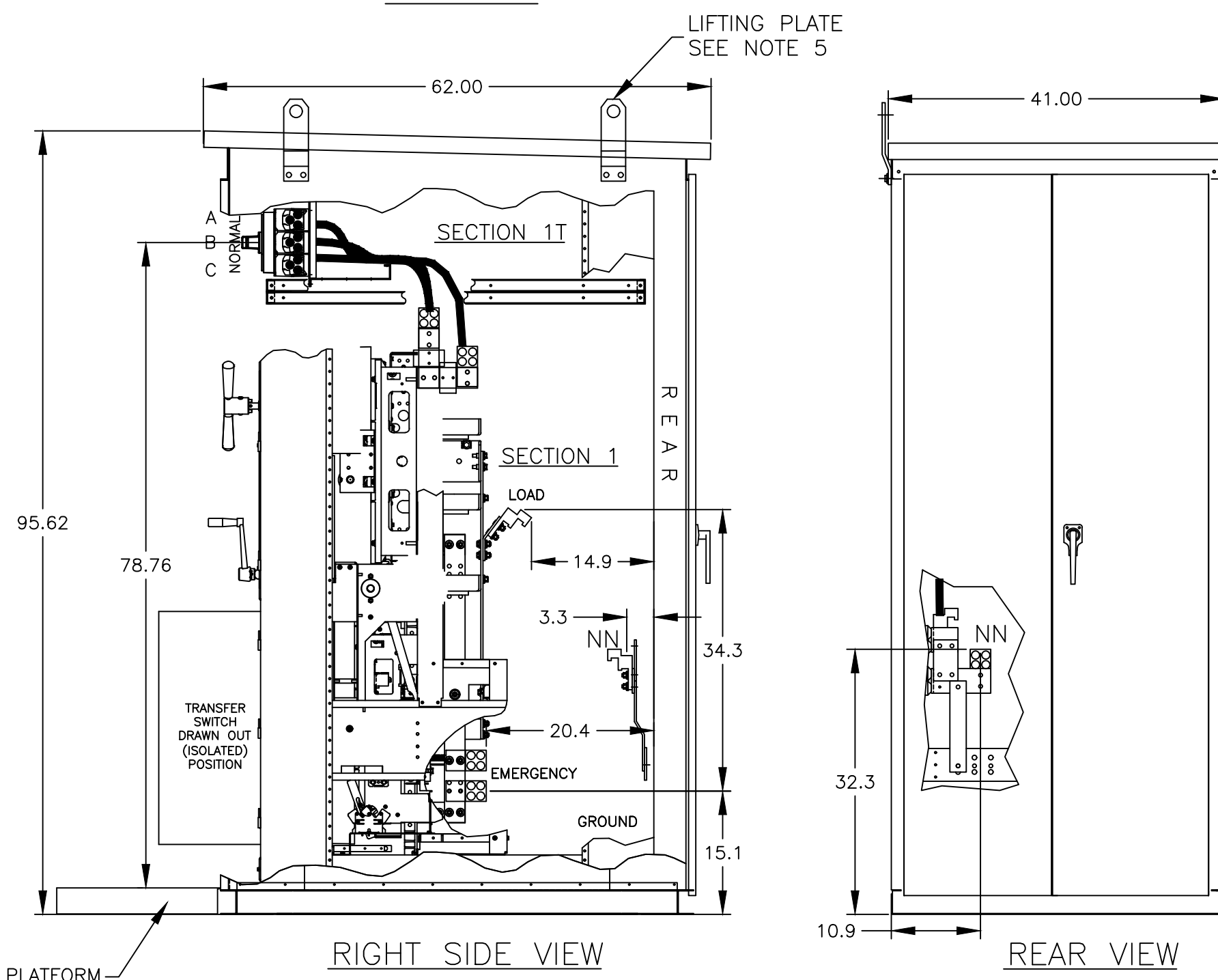


TOP VIEW



RIGHT SIDE VIEW

REAR VIEW

GENERAL NOTES

- FLOOR MOUNTED ENCLOSURE.
TYPE 3R CONSTRUCTED FROM CODE GAUGE STEEL.
FINISH: TYPE 3R, ANSI 61 GRAY POLYESTER SEMI GLOSS ELECTROSTATIC POWDER.
TYPE 3RX EXTERIOR CONSTRUCTED FROM CODE GAUGE STAINLESS STEEL.
(R) EXTERIOR CONSTRUCTED FROM TYPE 304 STAINLESS STEEL.
(S) EXTERIOR CONSTRUCTED FROM TYPE 316 STAINLESS STEEL.
- EXTERIOR DOORS HAVE PADLOCKABLE HANDLES WITH 3-POINT LATCH
- DESIGNED FOR FRONT & REAR ACCESS.
- RECOMMENDED CLEARANCES: FRONT: 36" REAR: 36"
- LIFTING PLATES: SECTIONS ARE SUPPLIED WITH LIFTING PLATES. INSPECT PLATES FOR DAMAGE AND TORQUE BOLTS TO 45 FT LBS BEFORE USE. REFER TO ANSI/NEMA PB 2.1 FOR PROPER HANDLING OF EQUIPMENT. AFTER INSTALLATION OF SECTION, REMOVE LIFTING PLATES. REINSTALL BOLTS INTO EXTERIOR HOLES AND TORQUE TO APPROXIMATELY 20 FT LBS.
- SECTION 1 & SECTION 1T SHIP AS 1 UNIT.
- PROVIDED WITH A WORKING PLATFORM (IN THE STOWED POSITION).
NOTE: WHEN IN THE WORKING POSITION (DOWN), THE PLATFORM MUST REST ON A SECURE, FLAT SURFACE.

SYSTEM NOTES

- SERVICE VOLTAGE:
SYSTEM RATING: 800 AMPS, 3 ϕ , 4W OR 1 ϕ , 3W.
SHORT CIRCUIT RATING- 65,000 RMS SYM AMPERES @ 480V.
THE EMERGENCY SOURCE INPUT MUST BE PROTECTED BY A REMOTE OVERCURRENT PROTECTION DEVICE AS LISTED ON THE MARKINGS ON THE TRANSFER SWITCH.
- ALL BUS IS SILVER-PLATED COPPER, BASED ON 1000A PER SQ. IN. DENSITY.
- GROUND BUS- 20% RATED
- NEUTRAL BUS: 100% RATED
- APPLICABLE LABELS: U.L. 891- SUITABLE ONLY FOR USE AS SERVICE EQUIPMENT.

TRANSFER SWITCH

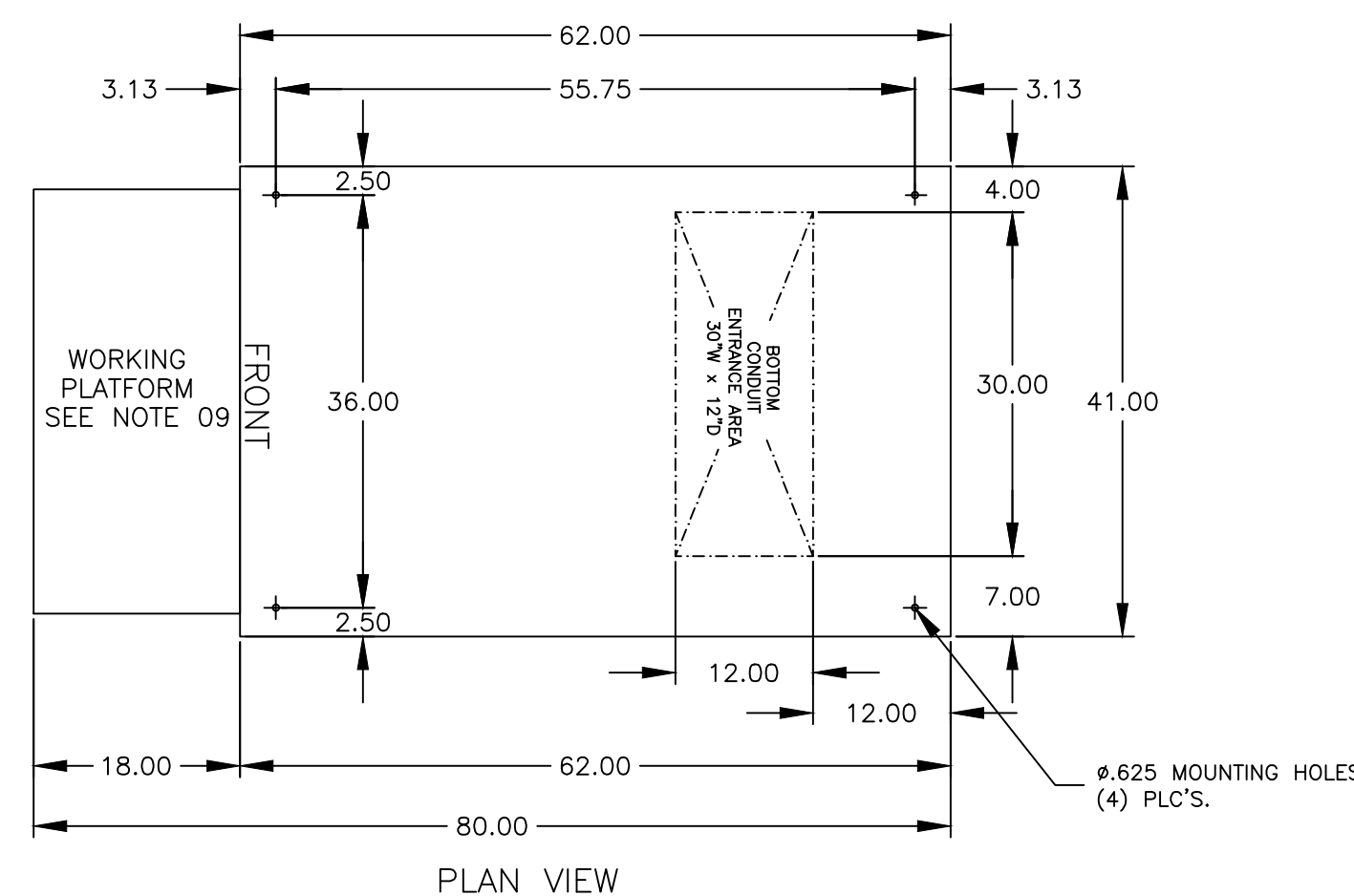
- H FRAME ISOLATION-BYPASS TRANSFER SWITCH.
- TRANSFER SWITCH RATING: 800 AMPS.
SHORT CIRCUIT RATING WHEN PROTECTED BY A CIRCUIT BREAKER
TIME RESPONSE, MAXIMUM 0.05 SECONDS: 50,000 RMS SYM @ 480V.
SPECIFIC BREAKER RATING: 65,000 RMS SYM @ 480V.
- A FULL RATED NEUTRAL CONNECTION FOR EACH SOURCE AND THE LOAD IS OPTIONAL. WHEN PROVIDED IT IS IN ONE OF THE FOLLOWING FORMATS.
A. SOLID NEUTRAL
B. SWITCHED NEUTRAL POLE
C. OVERLAPPING NEUTRAL POLE
- UL 1008

TERMINATIONS 800A

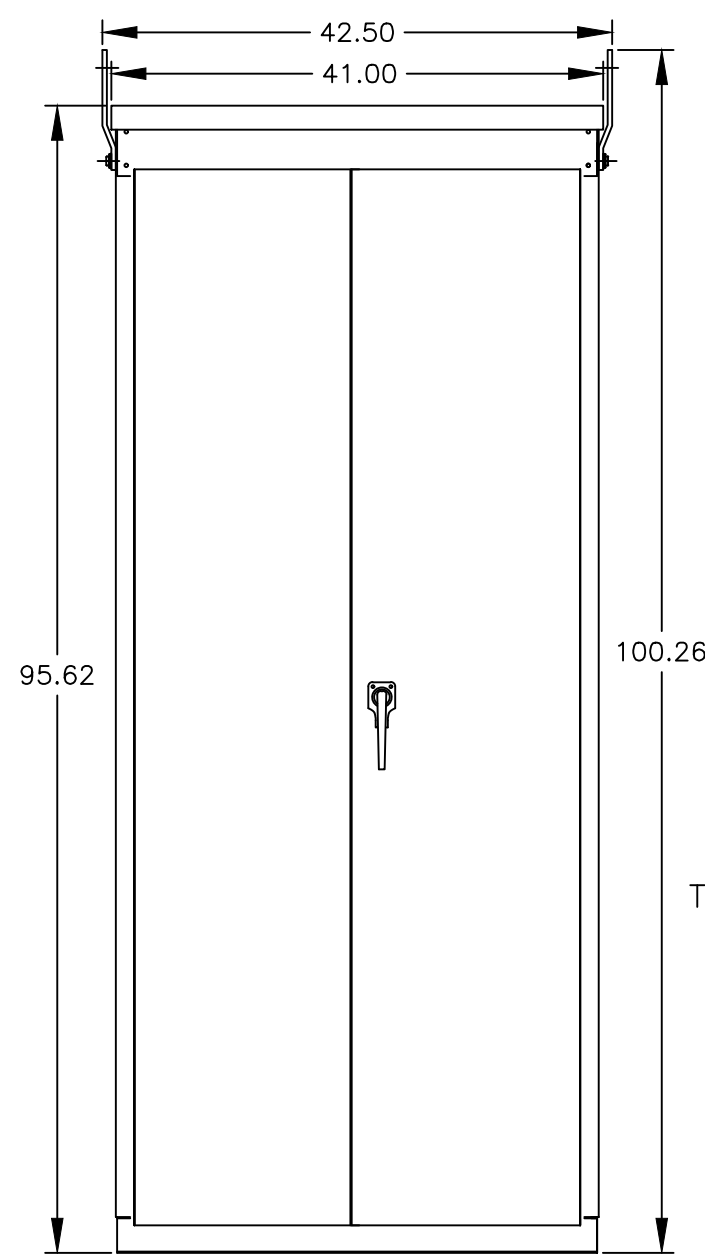
- SUPPLIED WITH MECHANICAL (SCREW TYPE) LUGS FOR CU/AL CABLE.
NORMAL: (3) 3/0 - 500MCM PER PHASE & NEUTRAL
LOAD: (4) 1/0 - 600MCM PER PHASE & NEUTRAL
EMERGENCY: (4) 1/0 - 600MCM PER PHASE & NEUTRAL
GROUND: (12) 1/0 - 600MCM
A. SUITABLE WIRE BENDING SPACE IS PROVIDED AS PER NEC.
- OPTIONAL LUGS MAY BE SUPPLIED.

CIRCUIT BREAKER: ITEM 52G

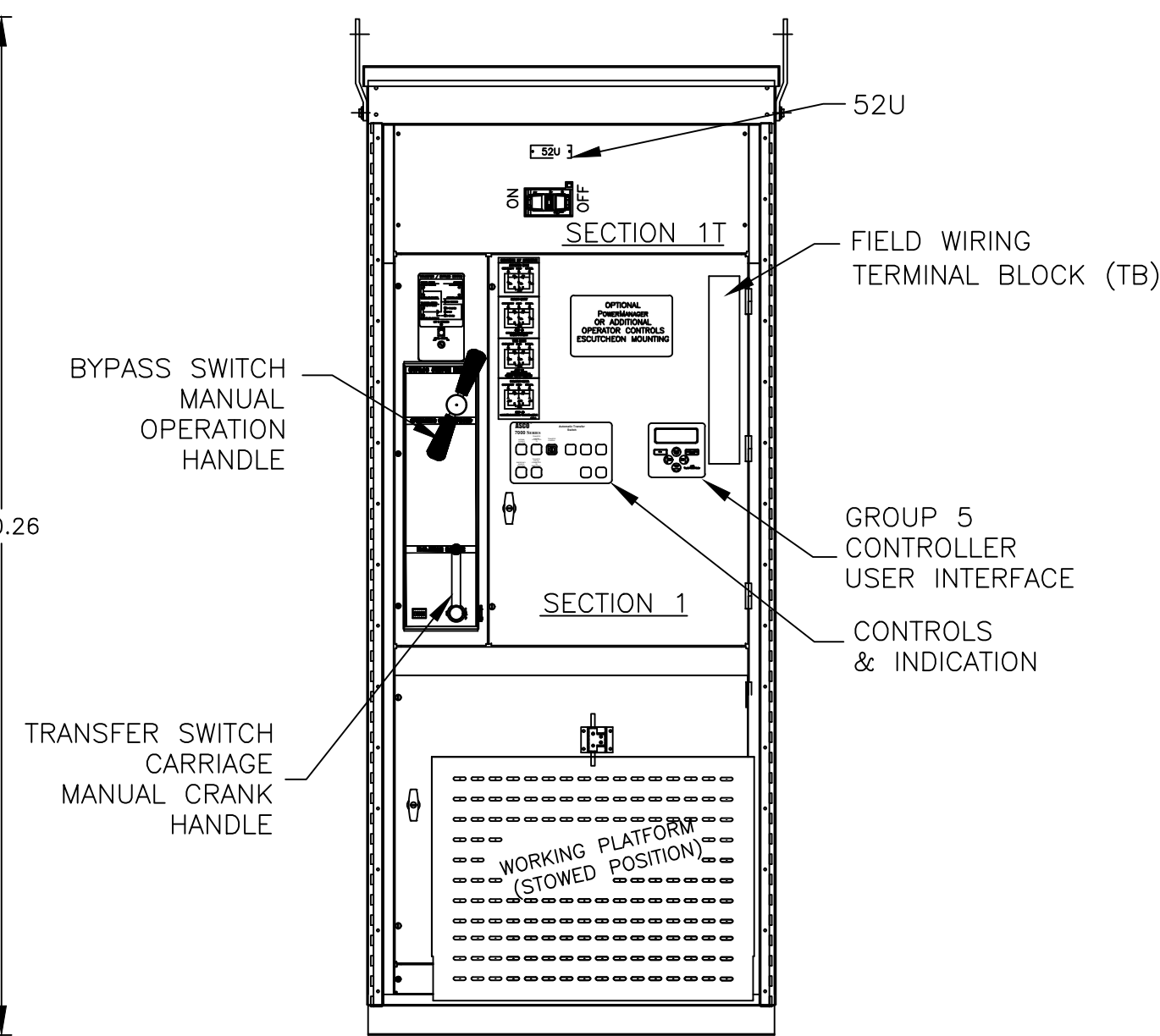
- SQUARE "D" 80% RATED, TYPE 'MJL', 800AF/800AT, MOLDED CASE CIRCUIT BREAKER, ELECTRONIC TRIP WITH LONG DELAY AND INSTANTANEOUS TRIP SETTINGS.
SHORT CIRCUIT RATING: AIC 65,000 RMS SYM @ 480V.
- U.L. 489



PLAN VIEW

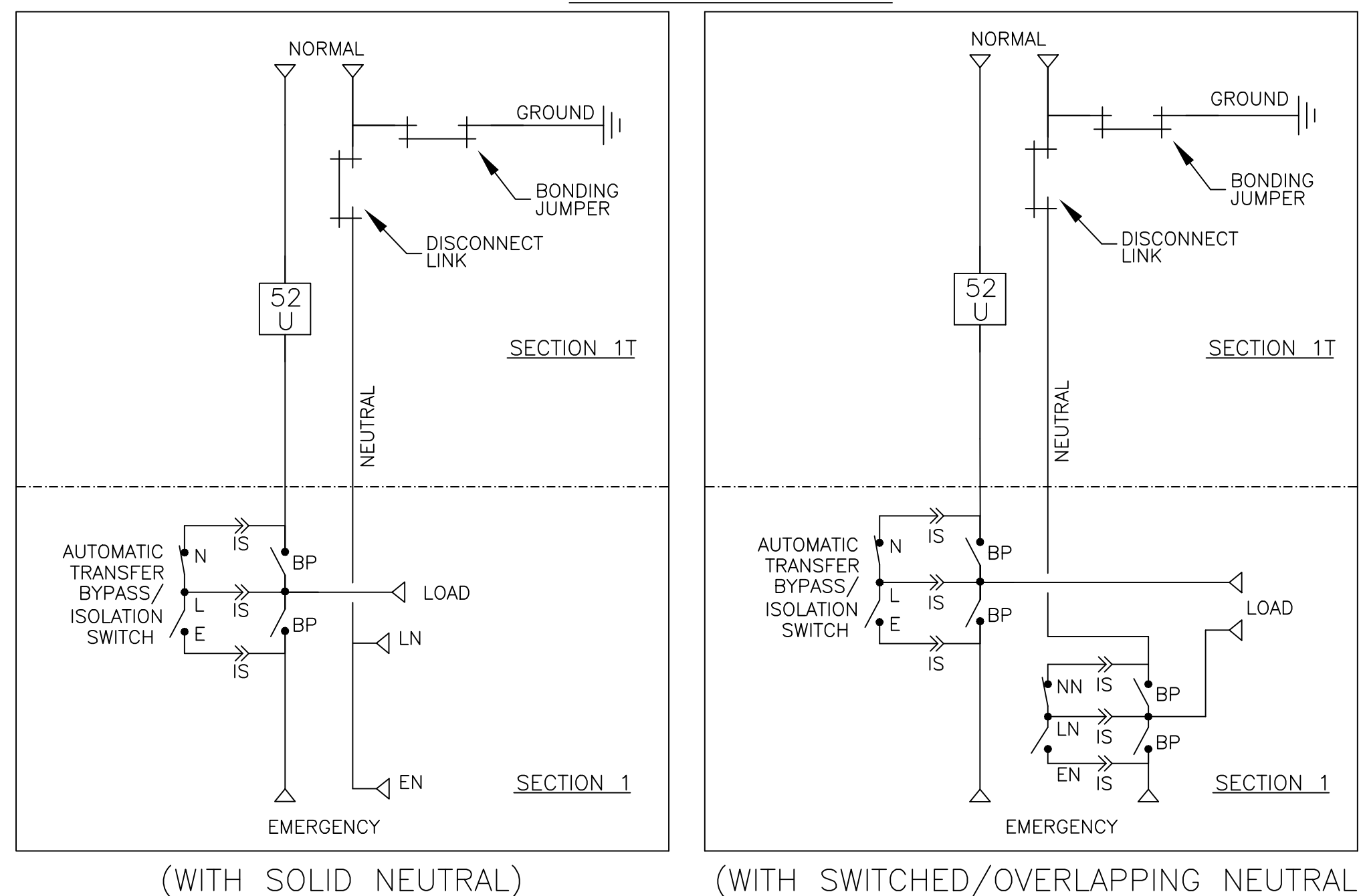


FRONT VIEW



FRONT VIEW WITHOUT DOORS

ONE LINE DIAGRAMS



(WITH SOLID NEUTRAL)

(WITH SWITCHED/OVERLAPPING NEUTRAL)

C	294994	YK	RN	04-07-22
SEE ECN				
B	293181	TD	RN	12/24/21
SEE ECN				
A	264434	SG	RN	12/02/16
SEE ECN				
-	243909	LY		8/15/13
NEW ISSUE				

PROJECT NAME:		REV. TO SHEET	ECN NO.	BY	APP.	DATE
OUTLINE		MOUNTING				
HAUB 800A, MJL SERVICE ENTRANCE BREAKER						
TYPE 3R/3RX 95.5 X 41 X 62						
DRAWN BY	LY	DATE	8/15/13	MANUFACTURING TOLERANCES TO BE IN ACCORDANCE WITH ASCO PROCEDURE MP-1-003. FOR PLASTIC PARTS SEE MP-1-055	ASSEM. REF. NO.	COMPUTER GENERATED DRAWING
CHECKED				PROPERTY OF ASCO POWER TECHNOLOGIES. USE PERMITTED FOR OUR WORK ONLY. ALL RIGHTS OF DESIGN OR INVENTION ARE RESERVED.		SCALE 1/16"=1" SIZE DS
PROJECT APPROVAL						DWG. NO. 882576-022
FINAL APPROVAL						ASC POWER TECHNOLOGIES, LP. FLORHAM PARK, NEW JERSEY 07932 U.S.A.
						DRAWING C ECN 294994 SHEET 1 OF 1