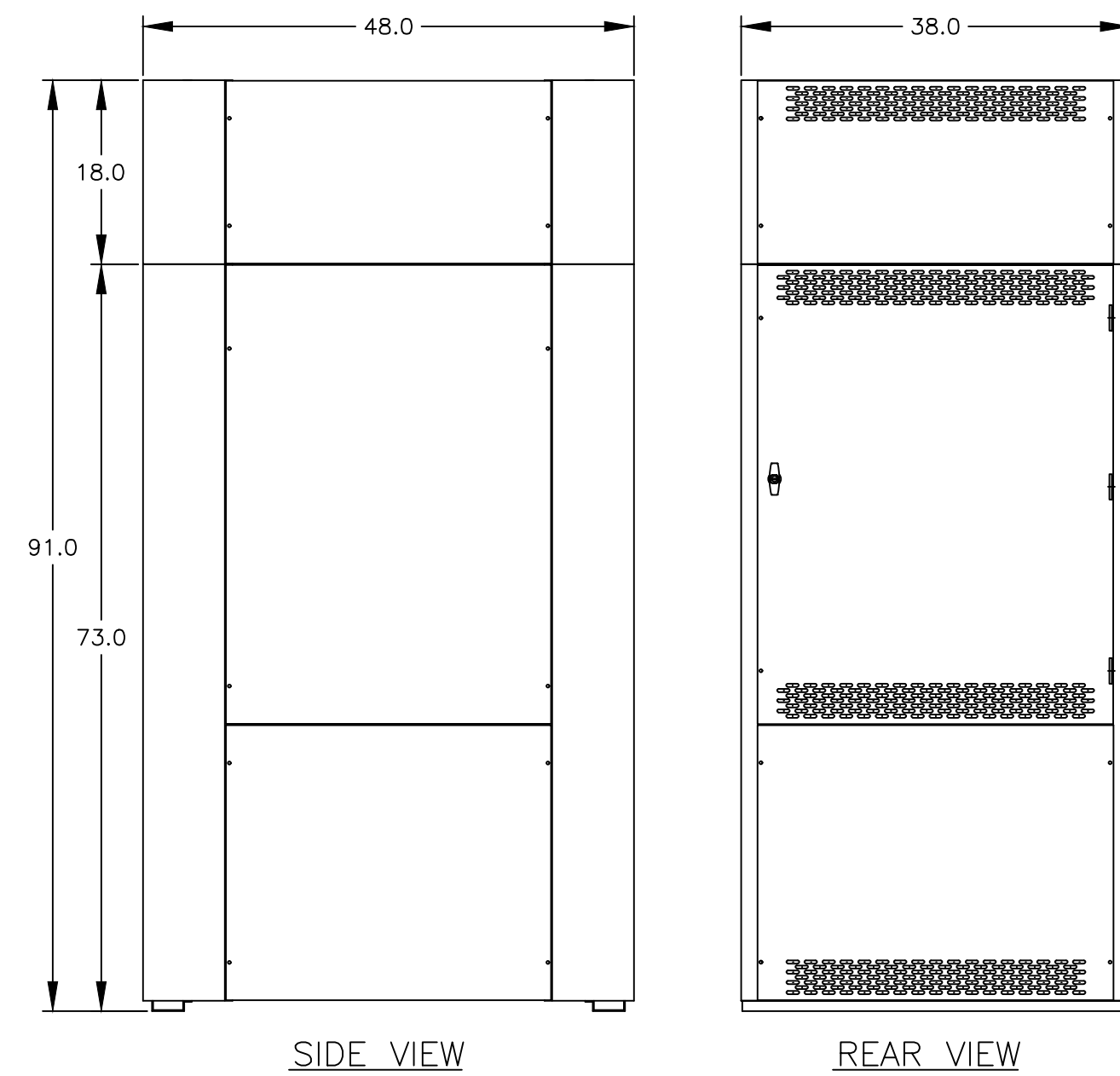
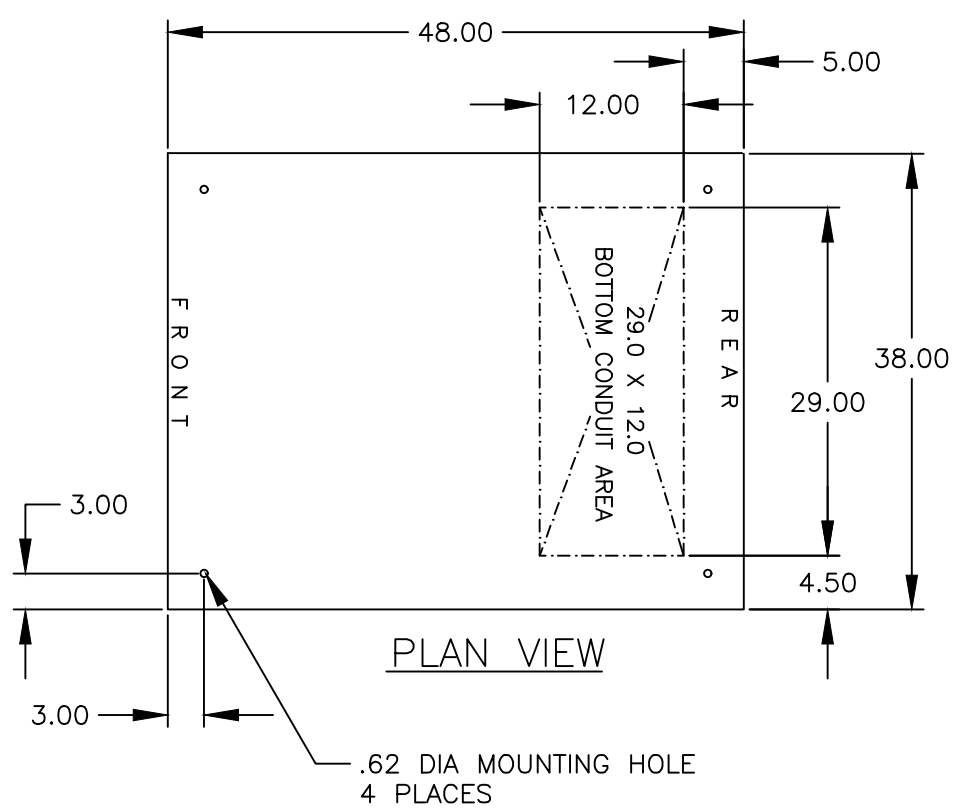


TOP VIEW



SIDE VIEW

REAR VIEW



PLAN VIEW

GENERAL NOTES

- FLOOR MOUNTED ENCLOSURE.
TYPE 1 CONSTRUCTED FROM CODE GAUGE STEEL.
FINISH: ANSI 61 GRAY POLYESTER SEMI GLOSS ELECTROSTATIC POWDER.
- DOORS EQUIPPED WITH KEY LOCKABLE HANDLE AND CAPTIVE SCREWS.
- DESIGNED FOR FRONT & REAR ACCESS.
- RECOMMENDED CLEARANCES: FRONT: 36" REAR: 36"
- SECTION 1 & SECTION 1T SHIP AS 1 UNIT.

SYSTEM NOTES

- SERVICE VOLTAGE:
SYSTEM RATING: 800 AMPS, 3 ϕ , 4W OR 1 ϕ , 3W.
SHORT CIRCUIT RATING- 65,000 RMS SYM AMPERES @ 480V.
THE EMERGENCY SOURCE INPUT MUST BE PROTECTED BY A REMOTE OVERCURRENT PROTECTION DEVICE AS LISTED ON THE MARKINGS ON THE TRANSFER SWITCH.
- ALL BUS IS SILVER-PLATED COPPER, BASED ON 1000A PER SQ. IN. DENSITY.
- GROUND BUS- 20% RATED
- NEUTRAL BUS: 100% RATED
- APPLICABLE LABELS: U.L. 891- SUITABLE ONLY FOR USE AS SERVICE EQUIPMENT.

TRANSFER SWITCH

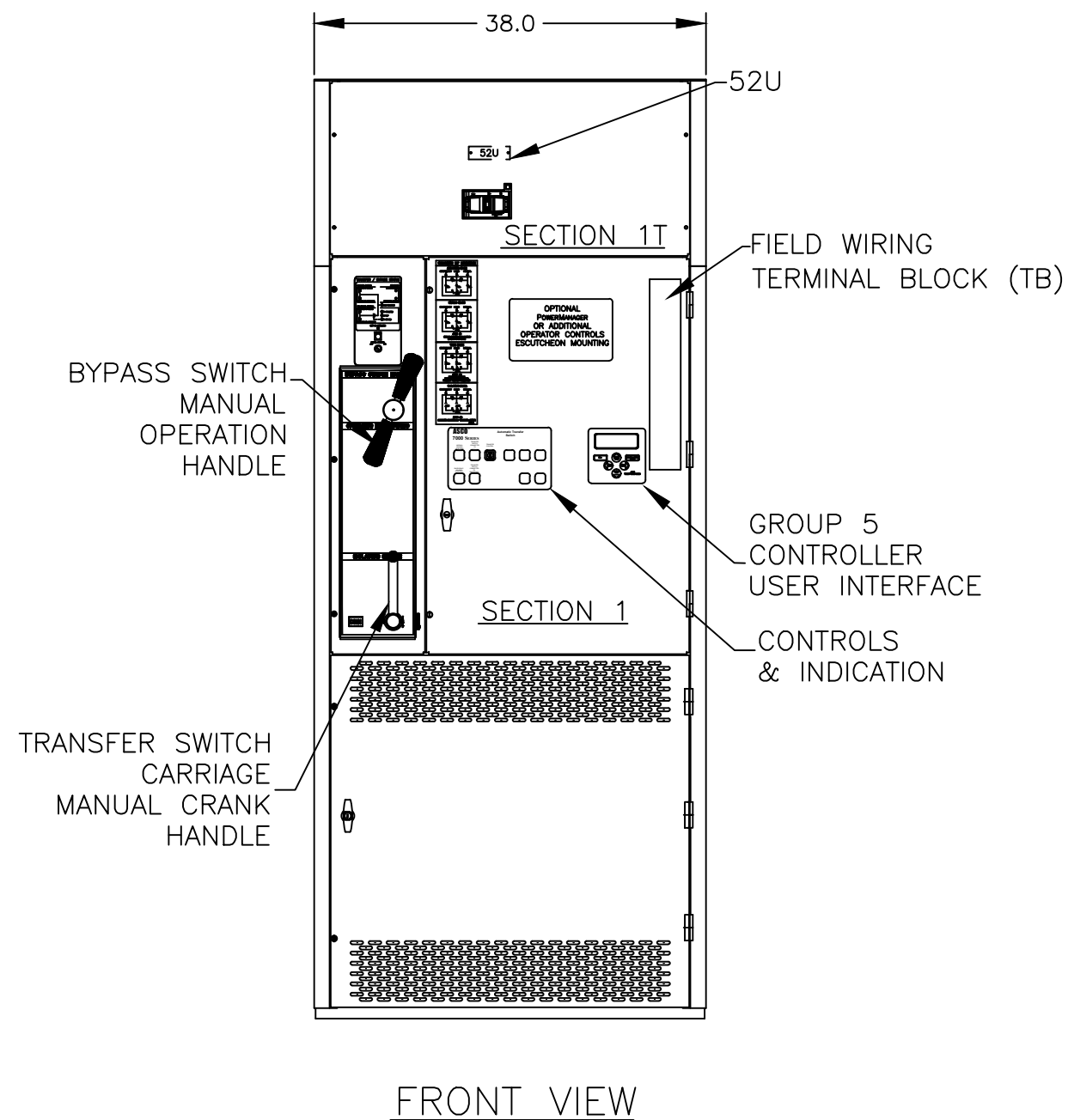
- H FRAME ISOLATION-BYPASS TRANSFER SWITCH.
- TRANSFER SWITCH RATING: 800 AMPS.
SHORT CIRCUIT RATING WHEN PROTECTED BY A CIRCUIT BREAKER
TIME RESPONSE, MAXIMUM 0.05 SECONDS: 50,000 RMS SYM @ 480V.
SPECIFIC BREAKER RATING: 65,000 RMS SYM @ 480V.
- A FULL RATED NEUTRAL CONNECTION FOR EACH SOURCE AND THE LOAD IS OPTIONAL.
WHEN PROVIDED IT IS IN ONE OF THE FOLLOWING FORMATS.
A. SOLID NEUTRAL
B. SWITCHED NEUTRAL POLE
C. OVERLAPPING NEUTRAL POLE
- UL 1008

TERMINATIONS 800A

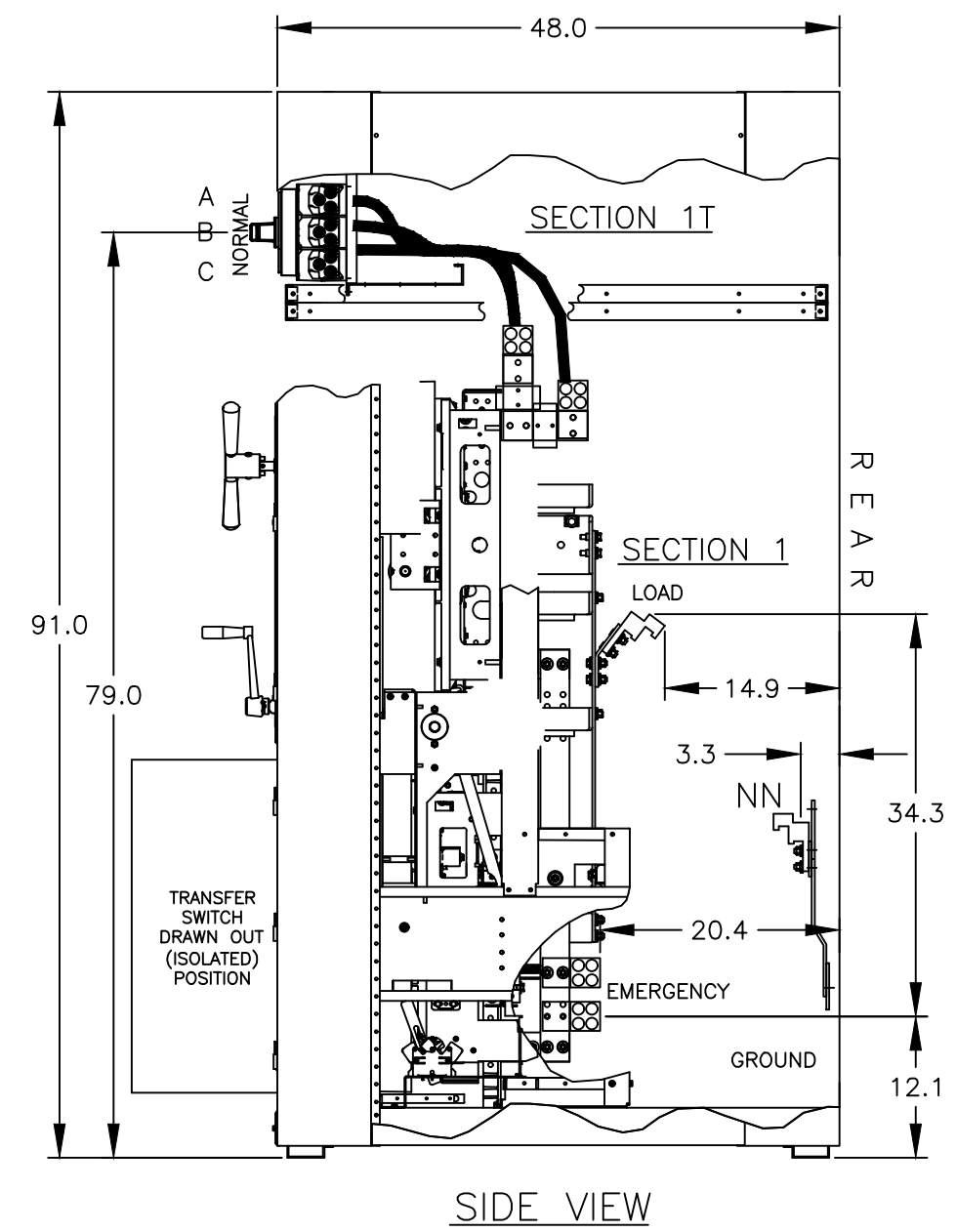
- SUPPLIED WITH MECHANICAL (SCREW TYPE) LUGS FOR CU/AL CABLE.
NORMAL: (3) 3/0 - 500MCM PER PHASE & NEUTRAL
LOAD: (4) 1/0 - 600MCM PER PHASE & NEUTRAL
EMERGENCY: (4) 1/0 - 600MCM PER PHASE & NEUTRAL
GROUND: (12) 1/0 - 600MCM
A. SUITABLE WIRE BENDING SPACE IS PROVIDED AS PER NEC.
- OPTIONAL LUGS MAY BE SUPPLIED.

CIRCUIT BREAKER: ITEM 52G

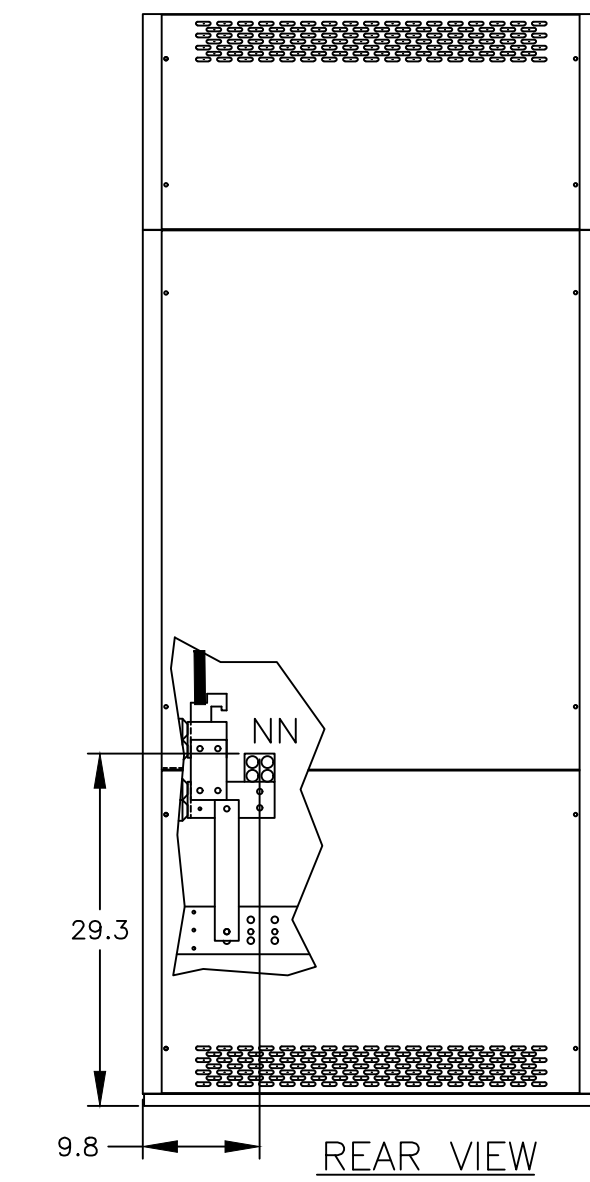
- SQUARE "D" 80% RATED, TYPE 'MJL', 800AF/800AT, MOLDED CASE CIRCUIT BREAKER, ELECTRONIC TRIP WITH LONG DELAY AND INSTANTANEOUS TRIP SETTINGS.
SHORT CIRCUIT RATING: AIC 65,000 RMS SYM @ 480V.
- U.L. 489



FRONT VIEW

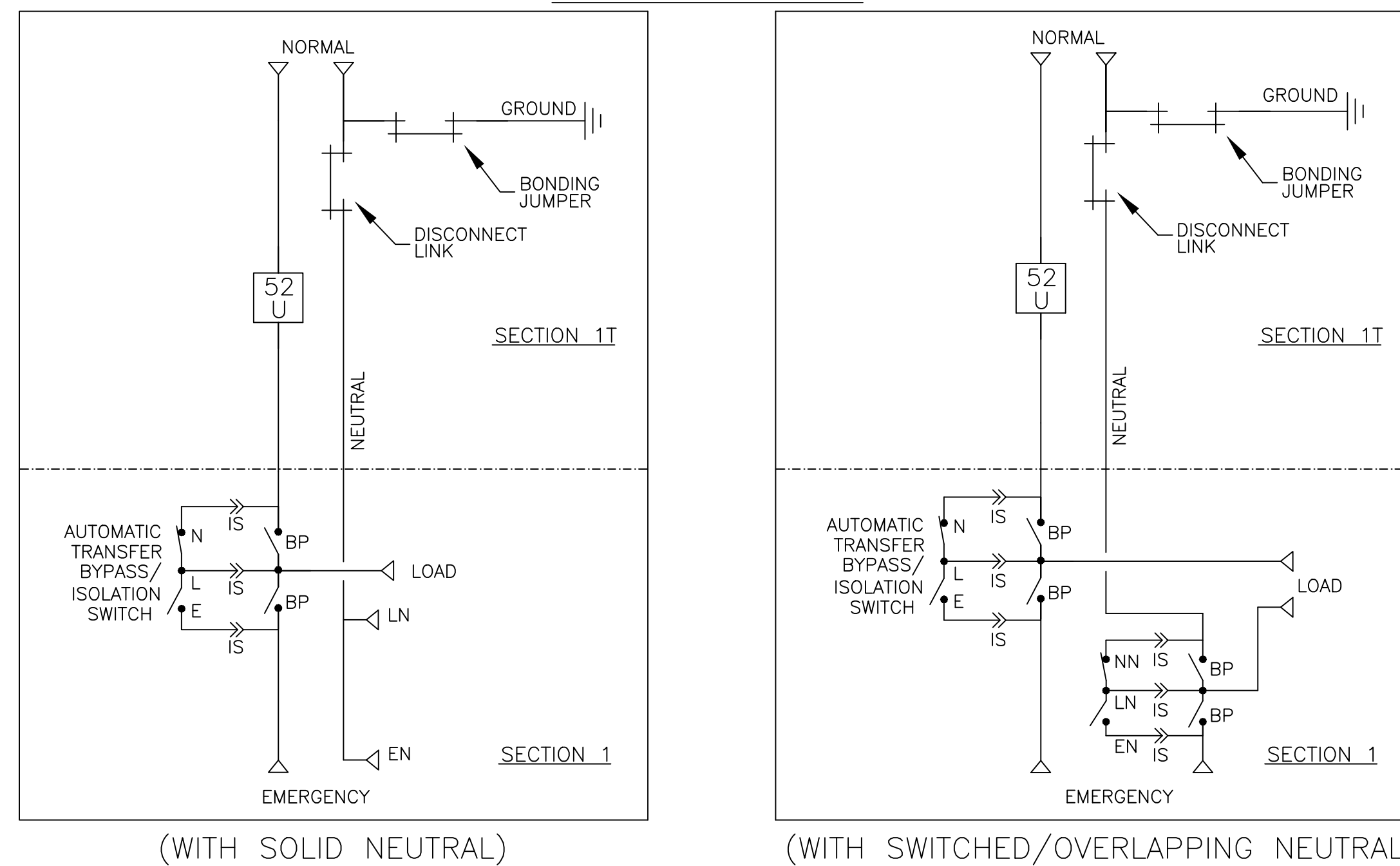


SIDE VIEW



REAR VIEW

ONE LINE DIAGRAMS



(WITH SOLID NEUTRAL)

(WITH SWITCHED/OVERLAPPING NEUTRAL)

D	294994	YK	RN	04-07-22
SEE ECN				
C	293181	TD	RN	12/24/21
SEE ECN				
B	234237	LY		10/18/11
SEE ECN				
A	230700	AE	BK	5/16/11
SEE ECN				
-	225485	DP	RN	12/22/09
NEW ISSUE				

PROJECT NAME:		REV. TO SHEET	ECN NO.	BY	APP.	DATE
OUTLINE		MOUNTING				
HAUB 800A, MJL SERVICE ENTRANCE BREAKER						
TYPE 1 91 X 38 X 48						
DRAWN BY	BY	DATE	MANUFACTURING TOLERANCES TO BE IN ACCORDANCE WITH ASCO PROCEDURE MP-1-003. FOR PLASTIC PARTS SEE MP-1-055		ASSEM. REF. NO.	COMPUTER GENERATED DRAWING
CHECKED	DP	12/22/09	PROPERTY OF ASCO POWER TECHNOLOGIES. USE PERMITTED FOR OUR WORK ONLY. ALL RIGHTS OF DESIGN OR INVENTION ARE RESERVED.			SCALE 1/16"=1" SIZE DS
PROJECT APPROVAL			ASCO POWER TECHNOLOGIES, LP.			882576-001
FINAL APPROVAL			FLORHAM PARK, NEW JERSEY 07932 U.S.A.			DRAWING REV. D ECN 294994 SHEET 1 OF 1