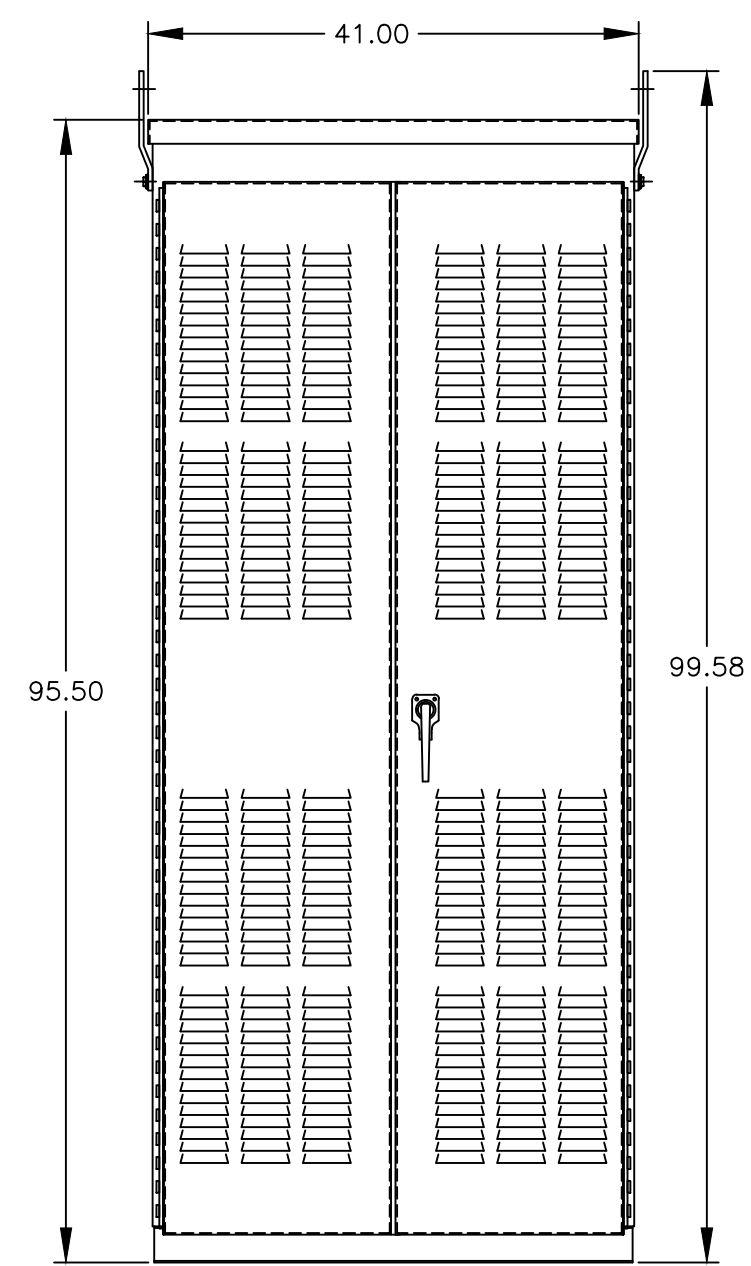
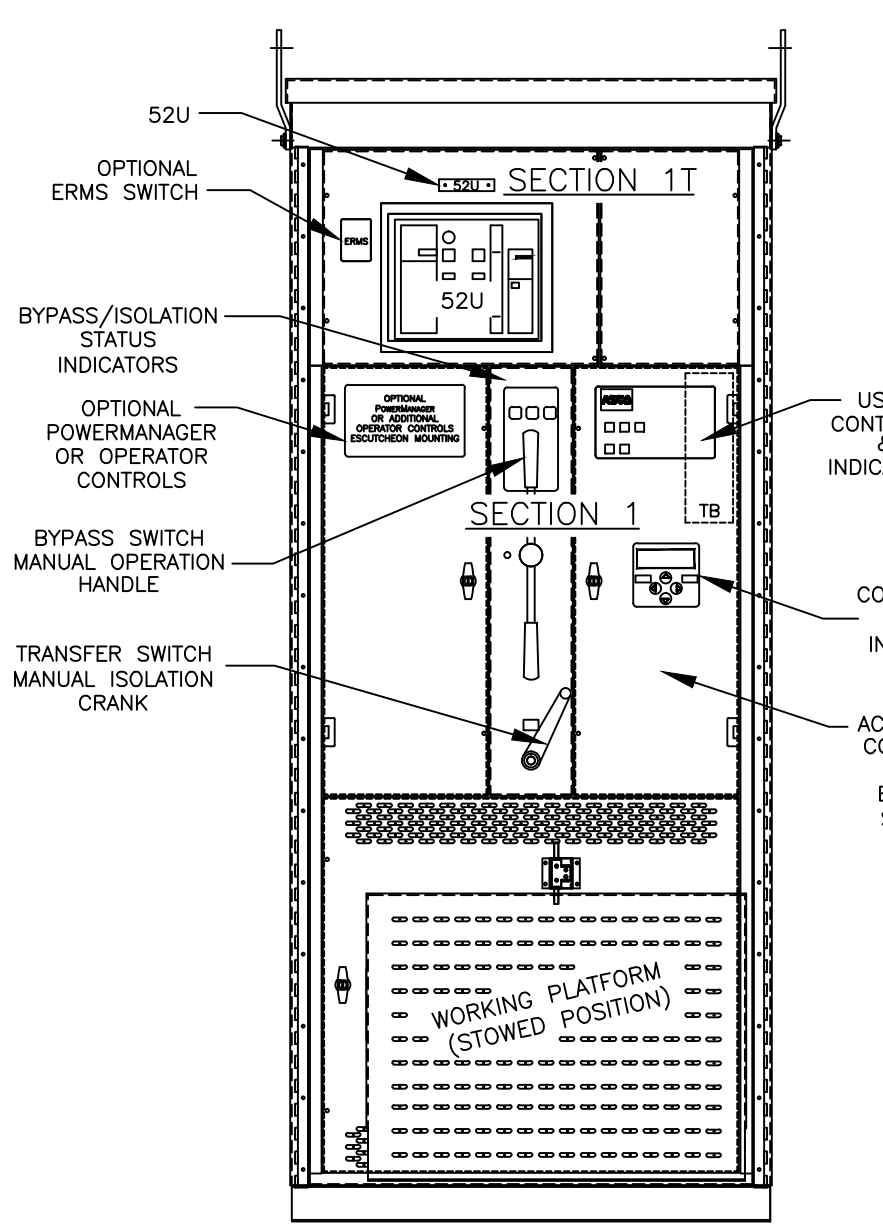


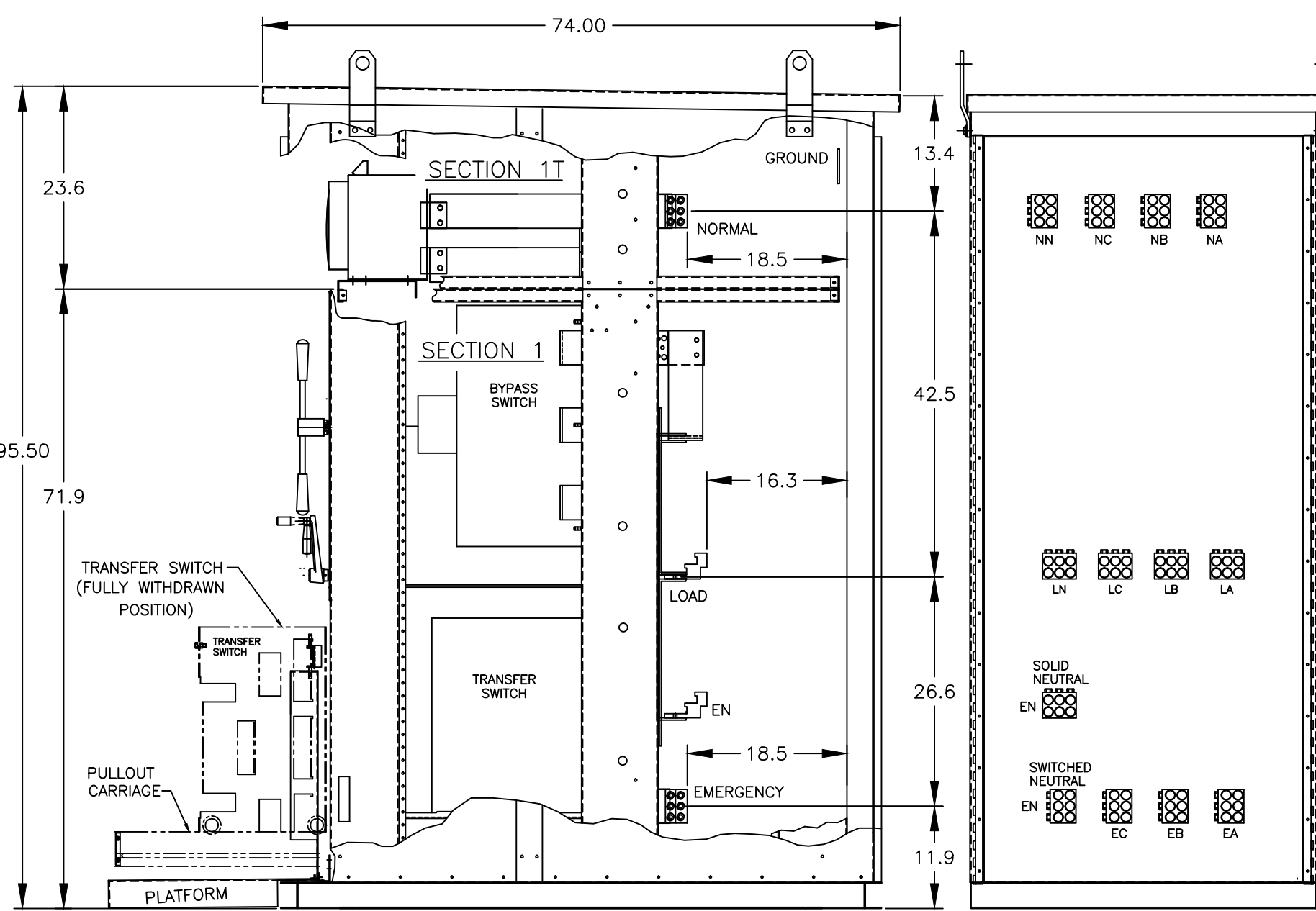
TOP VIEW



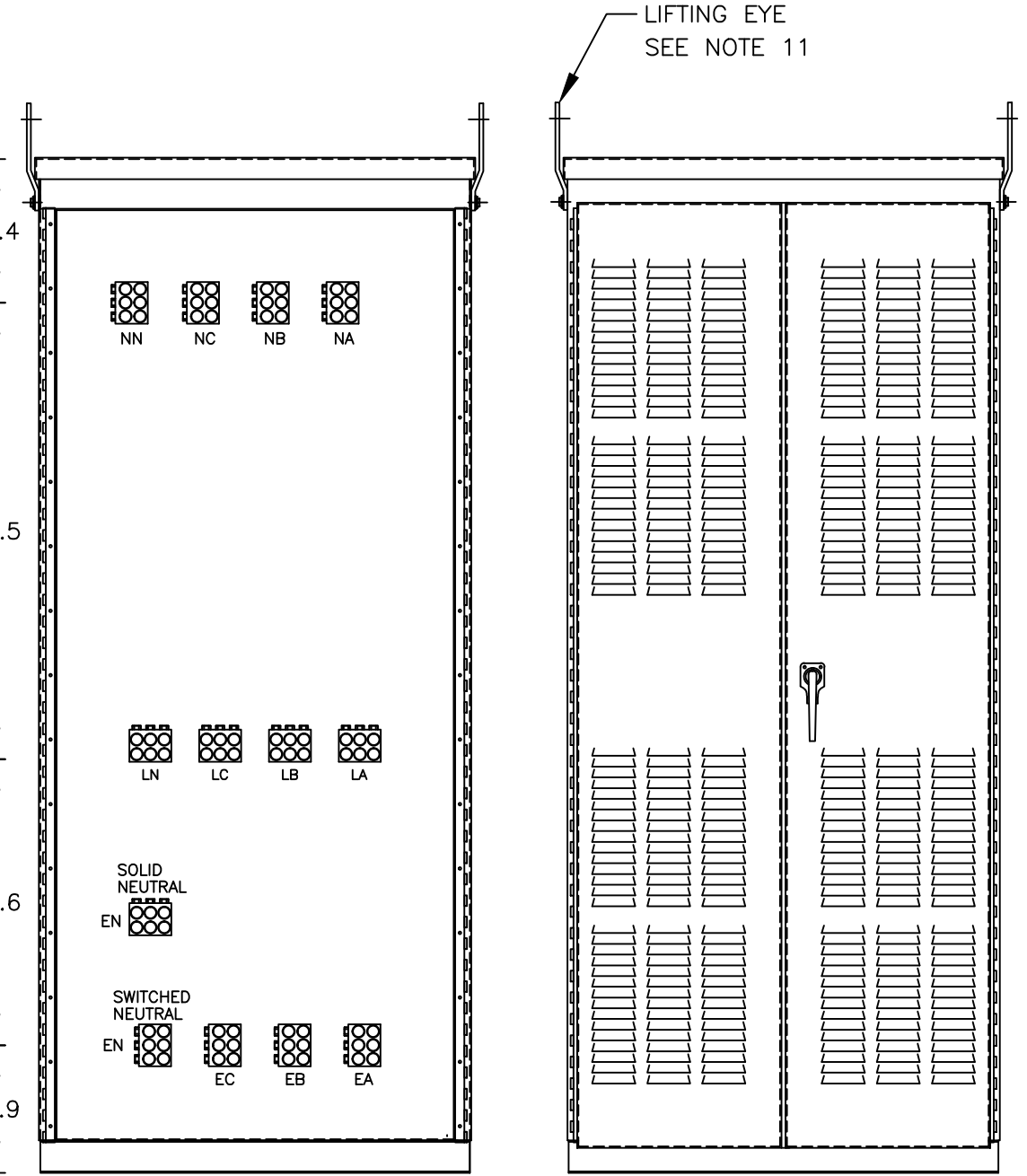
FRONT VIEW



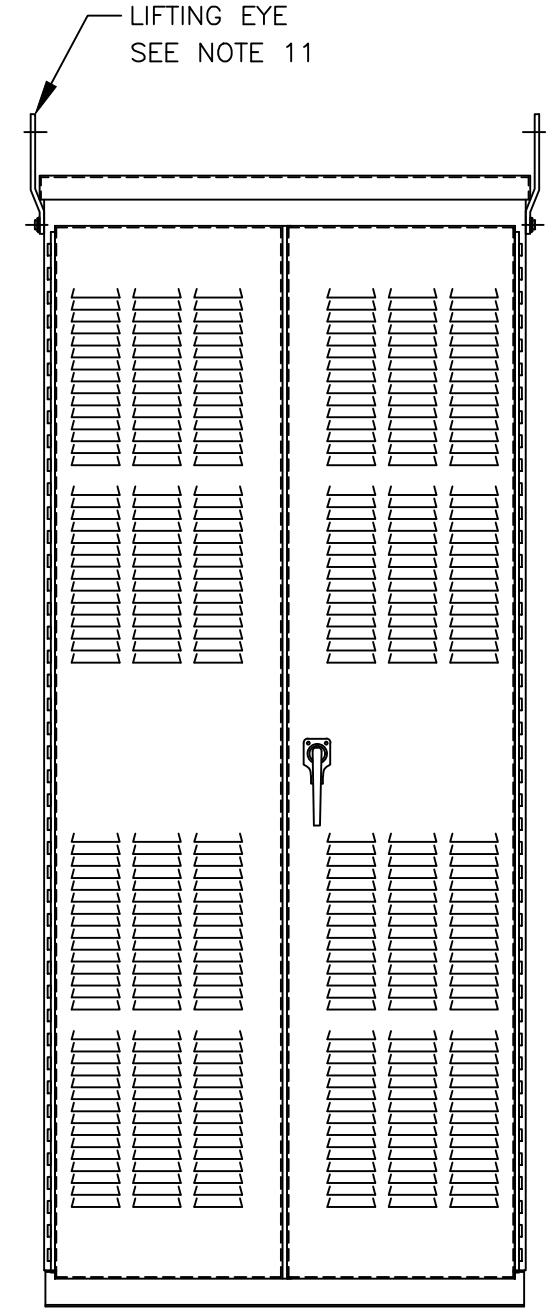
FRONT VIEW WITHOUT EXTERIOR DOORS



SIDE VIEW



REAR VIEW WITHOUT EXTERIOR DOORS



REAR VIEW

GENERAL NOTES

- TYPE 3R ENCLOSURE. FREE STANDING. FLOOR MOUNTED. CODE GAUGE FORMED STEEL FRAME CONSTRUCTION.
- FRONT DOOR HAS A STAINLESS STEEL, PADLOCKABLE HANDLE.
- FINISH: TYPE 3R: ANSI 61 GRAY POLYESTER SEMI GLOSS ELECTROSTATIC POWDER.  
TYPE 3RX (R): EXTERIOR CONSTRUCTED OF CODE GAUGE TYPE 304 STAINLESS STEEL.  
TYPE 3RX (S): EXTERIOR CONSTRUCTED OF CODE GAUGE TYPE 316 STAINLESS STEEL.
- RECOMMENDED CLEARANCES:  
FRONT: 38 INCHES REAR: 36 INCHES
- ALL BUS IS SILVER-PLATED COPPER, BASED ON 1000A PER SQ. IN. DENSITY.
- A FULL RATED NEUTRAL CONNECTION FOR EACH SOURCE AND THE LOAD IS OPTIONAL. WHEN PROVIDED IT IS IN ONE OF THE FOLLOWING FORMATS AS SPECIFIED BY THE CATALOG NO. NEUTRAL TYPE;  
A. SOLID (COPPER BUS) NEUTRAL (SHOWN)  
B. SWITCHED NEUTRAL POLE  
C. OVERLAPPING NEUTRAL POLE (NOT AVAILABLE ON 7ACUS/7ADUS UNITS)
- DESIGNED FOR FRONT & REAR ACCESS
- EXTERIOR VENTS ARE SUPPLIED WITH POLYESTER DUST FILTERS.
- FOR SPECIFIED TRANSFER SWITCH, REFER TO OPERATOR'S MANUAL PROVIDED WITH UNIT.
- SECTION 1 & SECTION 1T SHIP AS 1 UNIT.
- LIFTING PLATES: SECTIONS ARE SUPPLIED WITH LIFTING PLATES.  
INSPECT PLATES FOR DAMAGE AND TORQUE BOLTS TO 45 FT LBS BEFORE USE.  
REFER TO ANSI/NEMA PB 2.1 FOR PROPER HANDLING OF EQUIPMENT.  
AFTER INSTALLATION OF SECTION, REMOVE LIFTING PLATES.  
REINSTALL BOLTS INTO EXTERIOR HOLES AND TORQUE TO APROX. 20 FT LBS.
- PROVIDED WITH A WORKING PLATFORM (IN THE STOWED POSITION).  
NOTE: WHEN IN THE WORKING POSITION (DOWN), THE PLATFORM MUST REST ON A SECURE, FLAT SURFACE.

SPECIFICATIONS

- SERVICE VOLTAGE:  
SYSTEM RATING: 1000 AMPS, 1200 AMPS, 1600 AMPS, 2000 AMPS, 3ø, 4W.  
GROUND BUS- 20% RATED.  
SHORT CIRCUIT RATING- 1000A-1200A: 85,000 AIC RMS SYM @ 480V.  
SHORT CIRCUIT RATING- 1600A-2000A: 100,000 AIC RMS SYM @ 480V.  
THE EMERGENCY SOURCE INPUT MUST BE PROTECTED BY A REMOTE OVERCURRENT PROTECTION DEVICE AS LISTED ON THE MARKINGS ON THE TRANSFER SWITCH.
- NEUTRAL BUS: 100% RATED.
- APPLICABLE LABELS: U.L. 891- SUITABLE ONLY FOR USE AS SERVICE EQUIPMENT.

TERMINATIONS 1000A - 1200A

- SUPPLIED WITH MECHANICAL (SCREW TYPE) LUGS FOR CU/AL CABLE.  
NORMAL: (4) 1/0 - 600MCM PER PHASE & NEUTRAL  
LOAD: (4) 1/0 - 600MCM PER PHASE & NEUTRAL  
EMERGENCY: (4) 1/0 - 600MCM PER PHASE & NEUTRAL  
GROUND: (12) 1/0 - 750MCM  
A. SUITABLE WIRE BENDING SPACE IS PROVIDED AS PER NEC.
- OPTIONAL LUGS MAY BE SUPPLIED.

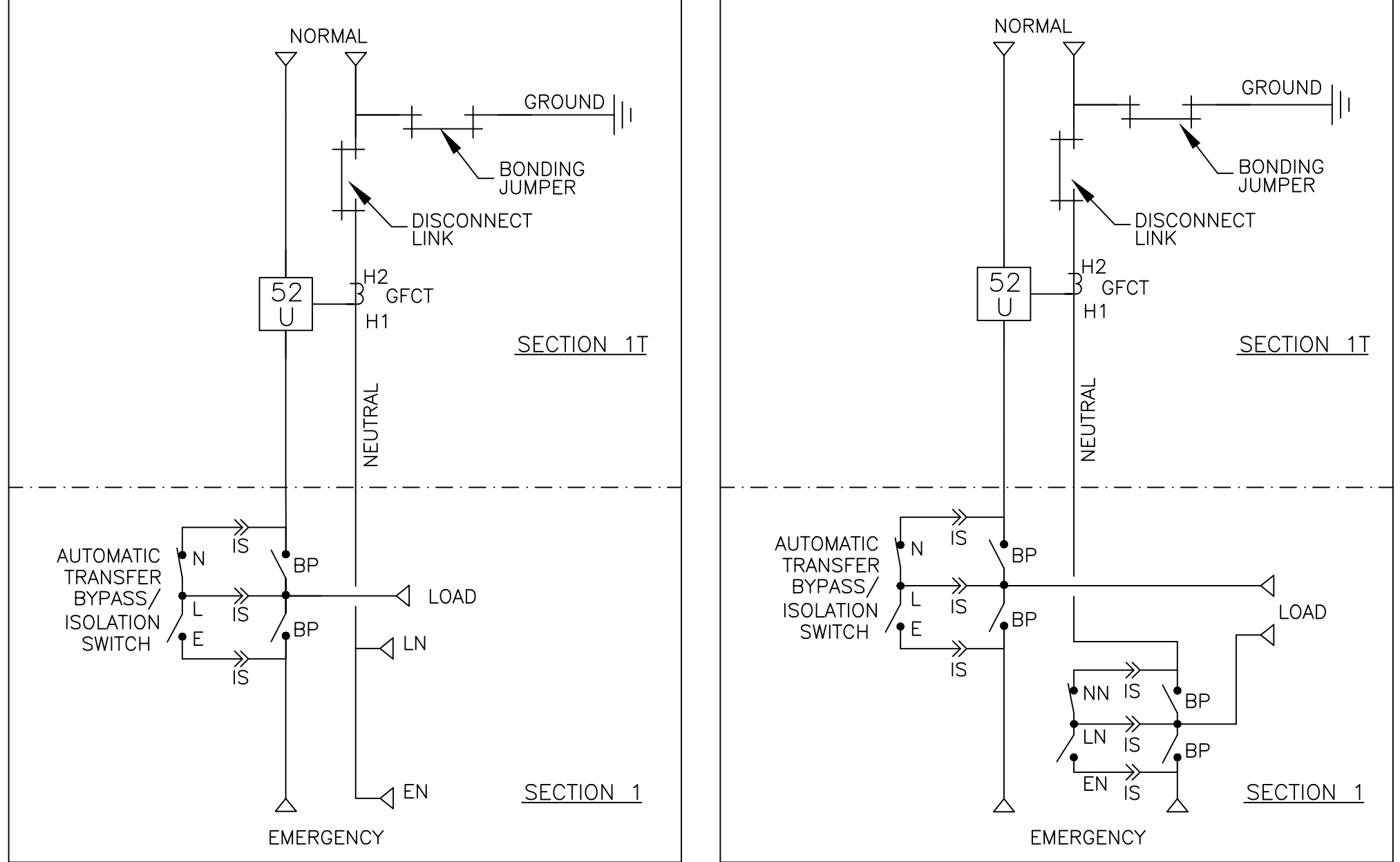
TERMINATIONS 1600A - 2000A

- SUPPLIED WITH MECHANICAL (SCREW TYPE) LUGS FOR CU/AL CABLE.  
NORMAL: (6) 1/0 - 600MCM PER PHASE & NEUTRAL  
LOAD: (6) 1/0 - 600MCM PER PHASE & NEUTRAL  
EMERGENCY: (6) 1/0 - 600MCM PER PHASE & NEUTRAL  
GROUND: (18) 1/0 - 750MCM  
A. SUITABLE WIRE BENDING SPACE IS PROVIDED AS PER NEC.
- OPTIONAL LUGS MAY BE SUPPLIED.

CIRCUIT BREAKER: ITEM 52U

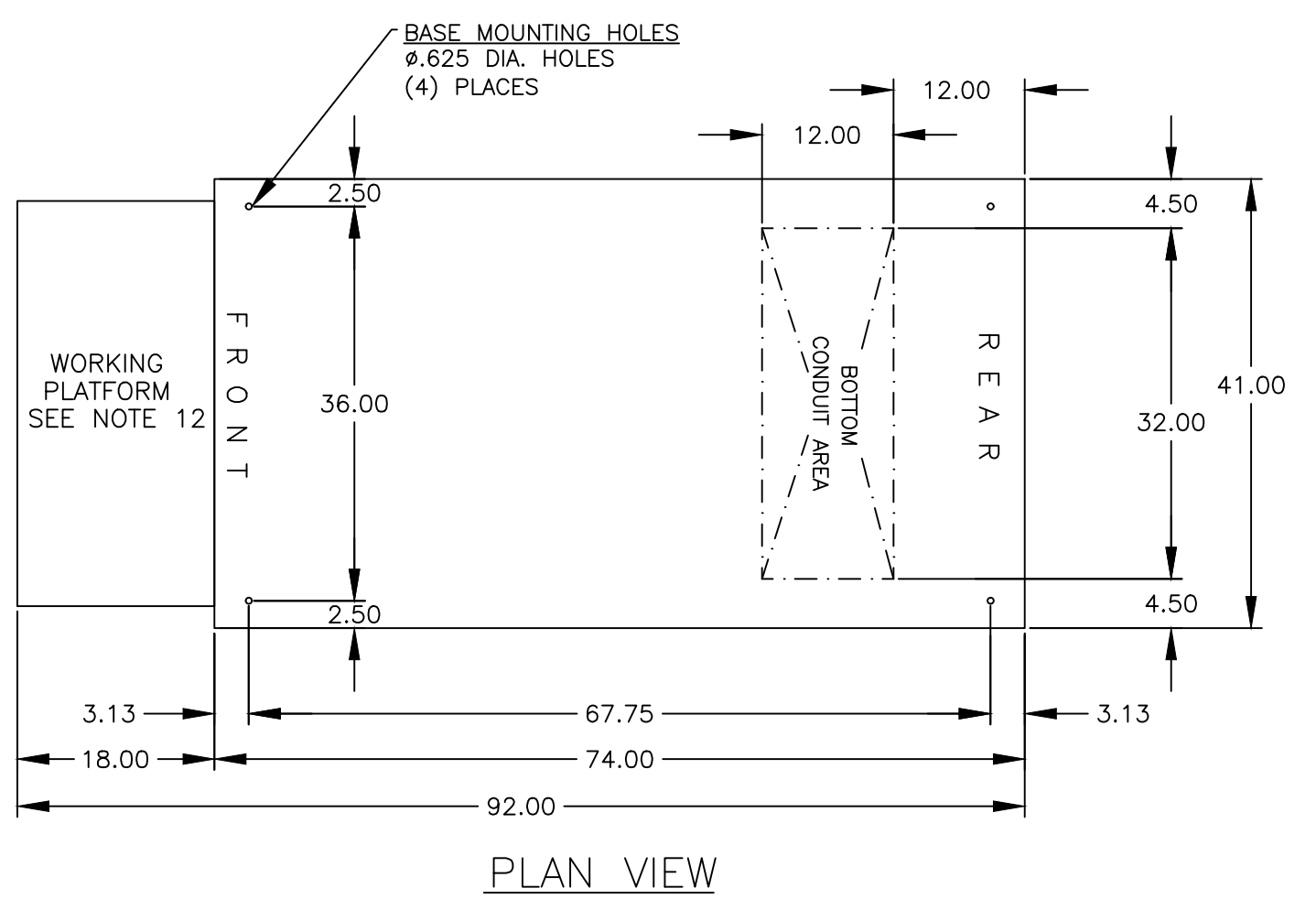
- SQUARE "D" 100% RATED TYPE 'NW', 1200AF/1000AT, 1200AF/1200AT, 1600AF/1600AT OR 2000AF/2000AT STATIONARY MOUNTED, MANUALLY OPERATED, WITH LONG DELAY, SHORT DELAY, INSTANTANEOUS AND GROUND FAULT TRIP SETTINGS.
- OPTIONAL ENERGY REDUCTION MAINTENANCE SETTING (ERMS) MAY BE SUPPLIED.

ONE LINE DIAGRAMS



(WITH SOLID NEUTRAL)

(WITH SWITCHED/OVERLAPPING NEUTRAL)



PLAN VIEW

E	272047	VAK	RN	04-18-16
	SEE ECN			
D	264433	BG	RN	12/02/16
	SEE ECN			
C	264421	RN		11-30-16
	SEE ECN			
B	260621	SG	RN	04/26/16
	SEE ECN			
A	245175	AJ	MM	11/08/13
	SEE ECN			
-	243585	LY		9/17/13
	SEE ECN			

PROJECT NAME:		REV. TO SHEET	ECN NO.	BY	APP.	DATE
OUTLINE		MOUNTING				
GAUB 1000A - 2000A, NW SERVICE ENTRANCE BREAKER						
TYPE 3R/3RX 96 X 41 X 74						
DRAWN BY	LY	DATE	9/17/13	MANUFACTURING TOLERANCES TO BE IN ACCORDANCE WITH ASCO PROCEDURE MP-1-003. FOR PLASTIC PARTS SEE MP-1-005	ASSEM. REF. NO.	COMPUTER GENERATED DRAWING
CHECKED				PROPERTY OF ASCO POWER TECHNOLOGIES. USE PERMITTED FOR OUR WORK ONLY. ALL RIGHTS OF DESIGN OR INVENTION ARE RESERVED.		SCALE 1/16" = 1" SIZE DS
PROJECT APPROVAL						DWG. NO. 740256-083
FINAL APPROVAL						ASCO® ASCO POWER TECHNOLOGIES, L.P. FLOHAM PARK, NEW JERSEY 07932 U.S.A.
						DRAWING E ECN NO. 272047 SHEET 1 OF 1