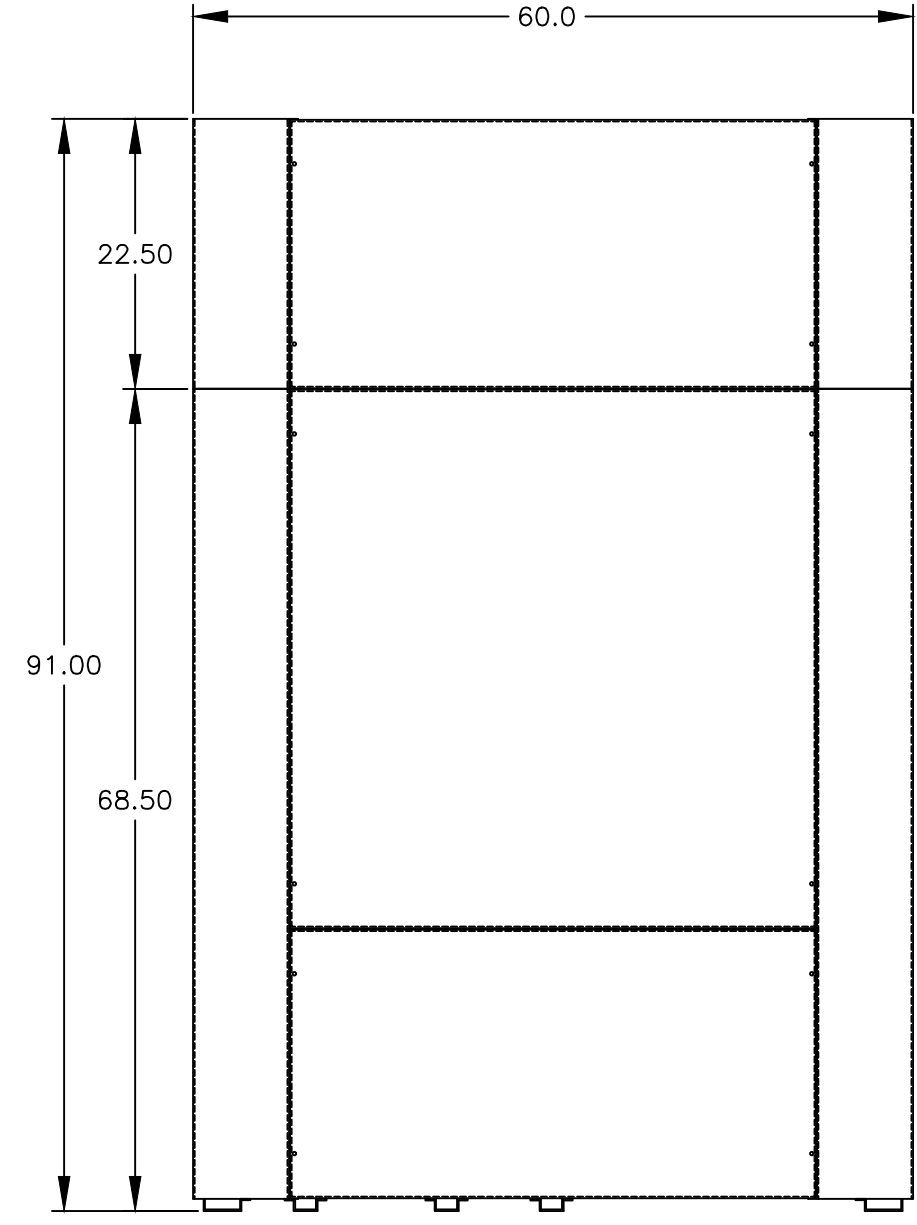
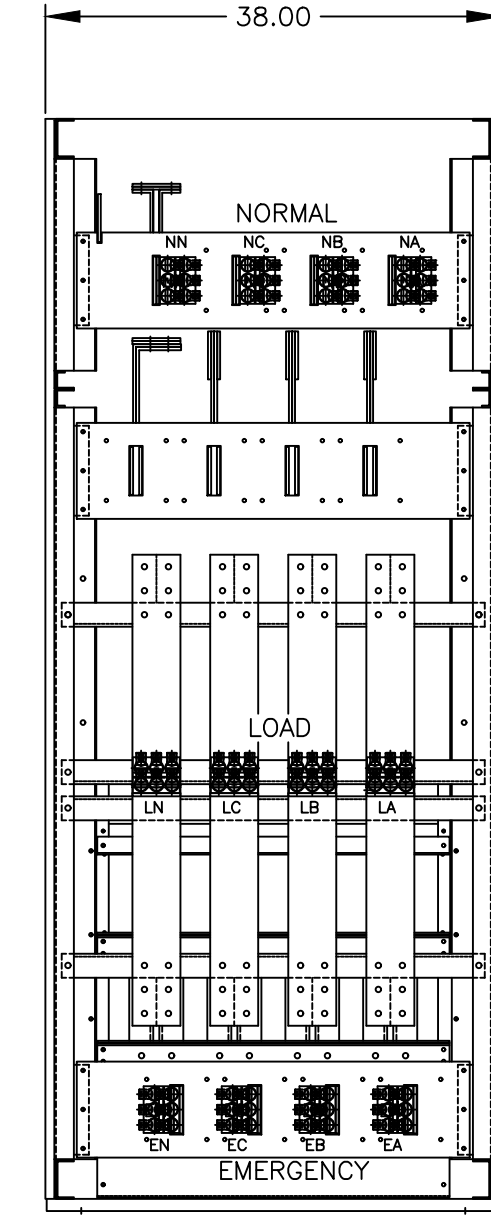


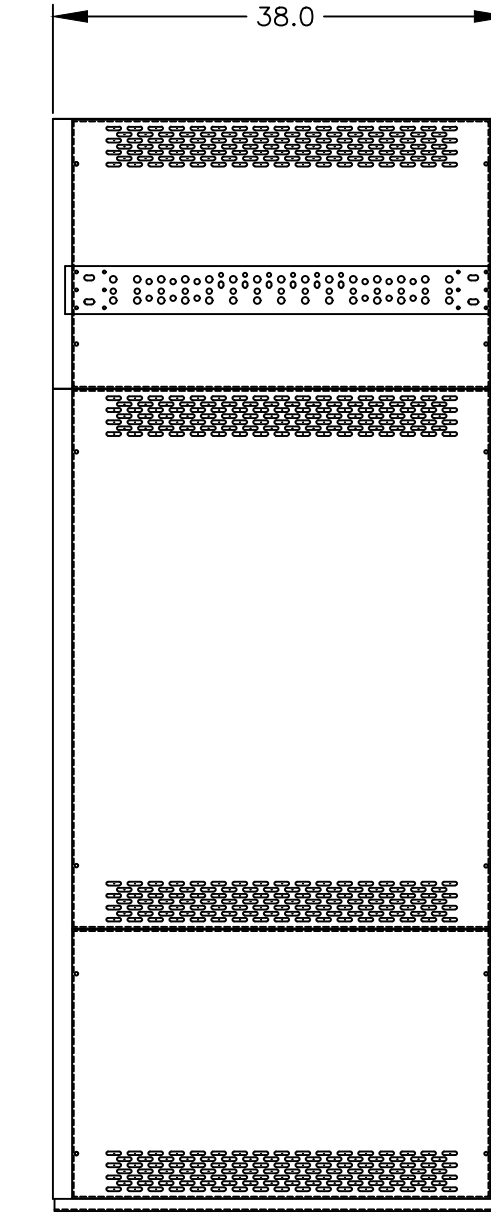
TOP VIEW



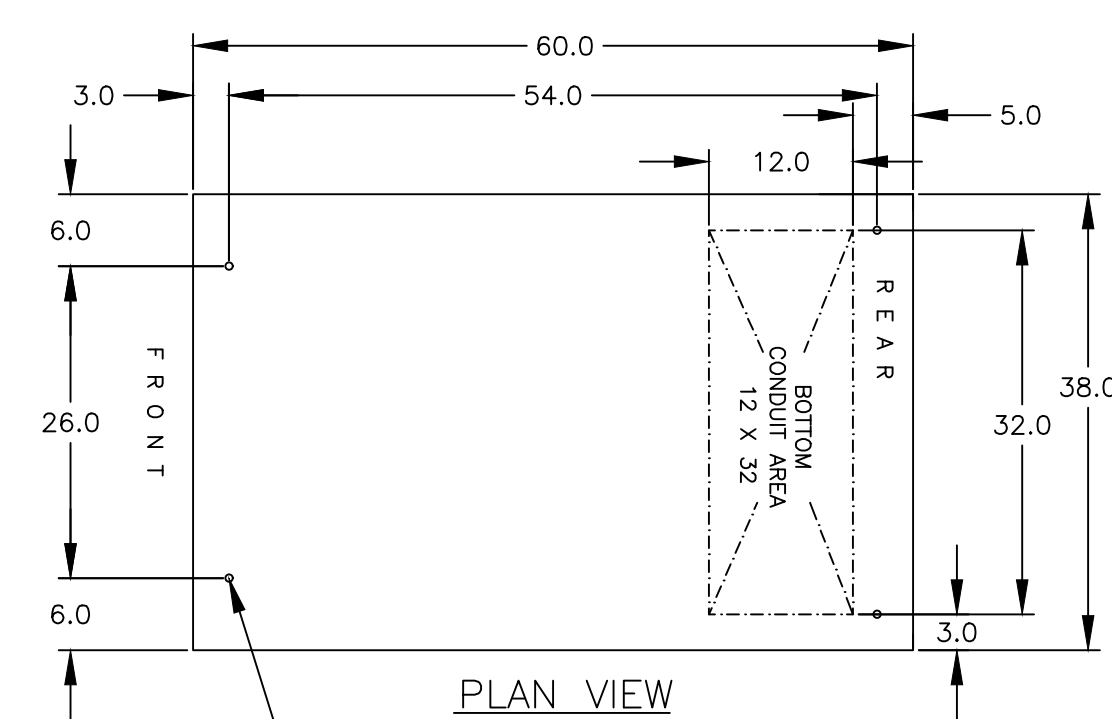
SIDE VIEW



REAR VIEW W/O COVERS



REAR VIEW



PLAN VIEW

GENERAL NOTES

- TYPE 1 ENCLOSURE. FREE STANDING. FLOOR MOUNTED. CODE GAUGE STEEL.
- ALL DOORS HAVE LOCKABLE HANDLES WITH COMMON KEYING AND CAPTIVE SCREWS AS REQUIRED.
- FINISH: ANSI 61 GRAY POLYESTER SEMI GLOSS ELECTROSTATIC POWDER.
- RECOMMENDED CLEARANCES:
FRONT: 38 INCHES REAR: 36 INCHES
- ALL BUS IS SILVER-PLATED COPPER, BASED ON 1000A PER SQ. IN. DENSITY.
- A FULL RATED NEUTRAL CONNECTION FOR EACH SOURCE AND THE LOAD IS OPTIONAL. WHEN PROVIDED IT IS IN ONE OF THE FOLLOWING FORMATS AS SPECIFIED BY THE CATALOG NO. NEUTRAL TYPE;
 - SOLID (COPPER BUS) NEUTRAL (SHOWN)
 - SWITCHED NEUTRAL POLE
 - OVERLAPPING NEUTRAL POLE (NOT AVAILABLE ON 7ACUS/7ADUS UNITS)
- DESIGNED FOR FRONT & REAR ACCESS
- FOR SPECIFIED TRANSFER SWITCH, REFER TO OPERATOR'S MANUAL PROVIDED WITH UNIT.
- SECTION 1 & SECTION 1T SHIP AS 1 UNIT.
- CENTER OF GRAVITY

SPECIFICATIONS

- SYSTEM RATING: 1000 AMPS, 1200 AMPS, 1600 AMPS, 2000 AMPS, 3φ, 4W.
SHORT CIRCUIT RATING- 1000A-1200A: 85,000 AIC RMS SYM @ 480V.
SHORT CIRCUIT RATING- 1600A-2000A: 100,000 AIC RMS SYM @ 480V.
THE EMERGENCY SOURCE INPUT MUST BE PROTECTED BY A REMOTE OVERCURRENT PROTECTION DEVICE AS LISTED ON THE MARKINGS ON THE TRANSFER SWITCH.
- GROUND BUS: 20% RATED.
- NEUTRAL BUS: 100% RATED.
- APPLICABLE LABELS: U.L. 891- SUITABLE ONLY FOR USE AS SERVICE EQUIPMENT.

TERMINATIONS, 1000A - 1200A

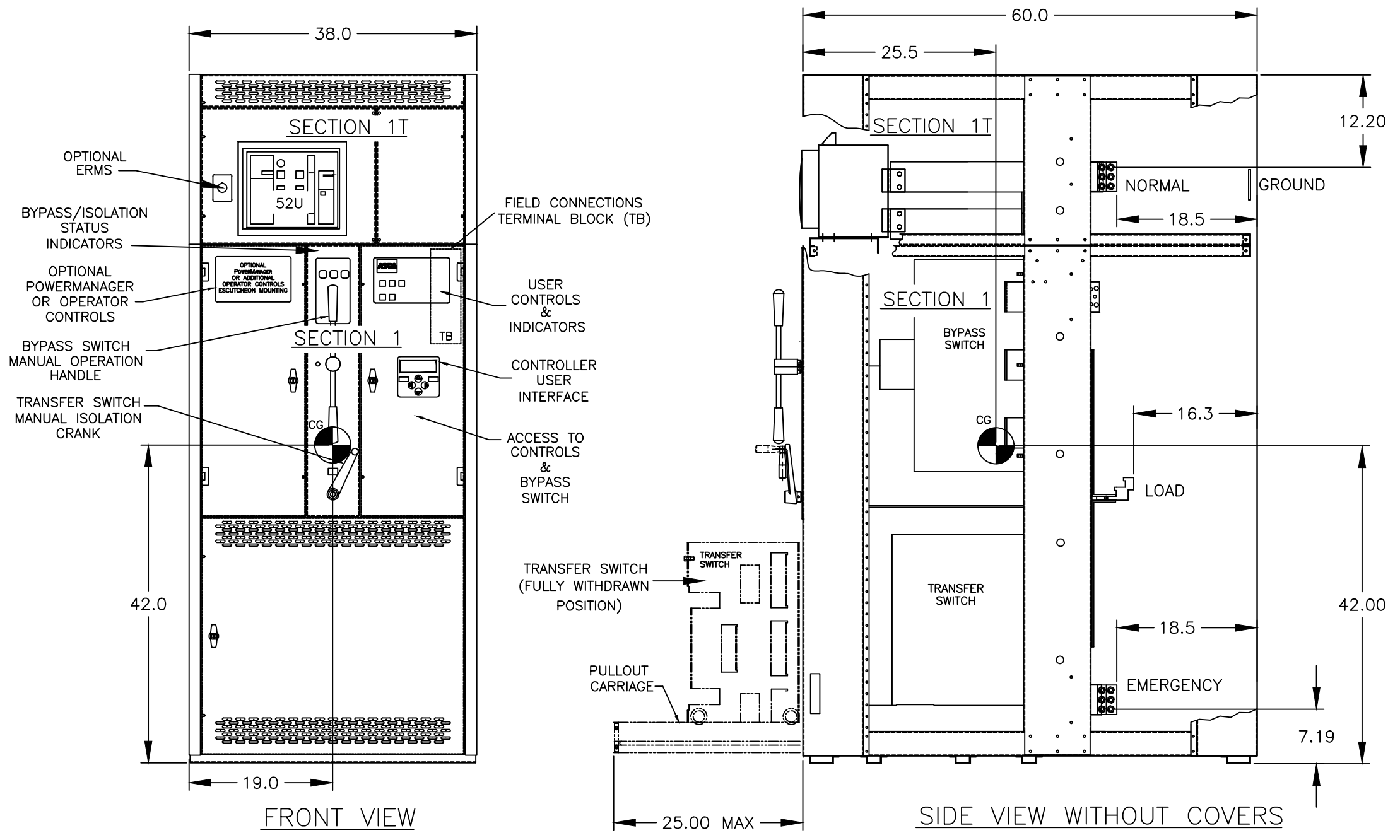
- SUPPLIED WITH MECHANICAL (SCREW TYPE) LUGS FOR CU/AL CABLE.
 - NORMAL: (4) 1/0 - 600MCM PER PHASE & NEUTRAL
 - LOAD: (4) 1/0 - 600MCM PER PHASE & NEUTRAL
 - EMERGENCY: (4) 1/0 - 600MCM PER PHASE & NEUTRAL
 - GROUND: (12) 1/0 - 750MCM
- A. SUITABLE WIRE BENDING SPACE IS PROVIDED AS PER NEC.

TERMINATIONS, 1600A - 2000A

- SUPPLIED WITH MECHANICAL (SCREW TYPE) LUGS FOR CU/AL CABLE.
 - NORMAL: (6) 1/0 - 600MCM PER PHASE & NEUTRAL
 - LOAD: (6) 1/0 - 600MCM PER PHASE & NEUTRAL
 - EMERGENCY: (6) 1/0 - 600MCM PER PHASE & NEUTRAL
 - GROUND: (18) 1/0 - 750MCM
- A. SUITABLE WIRE BENDING SPACE IS PROVIDED AS PER NEC.

CIRCUIT BREAKER: ITEM 52U

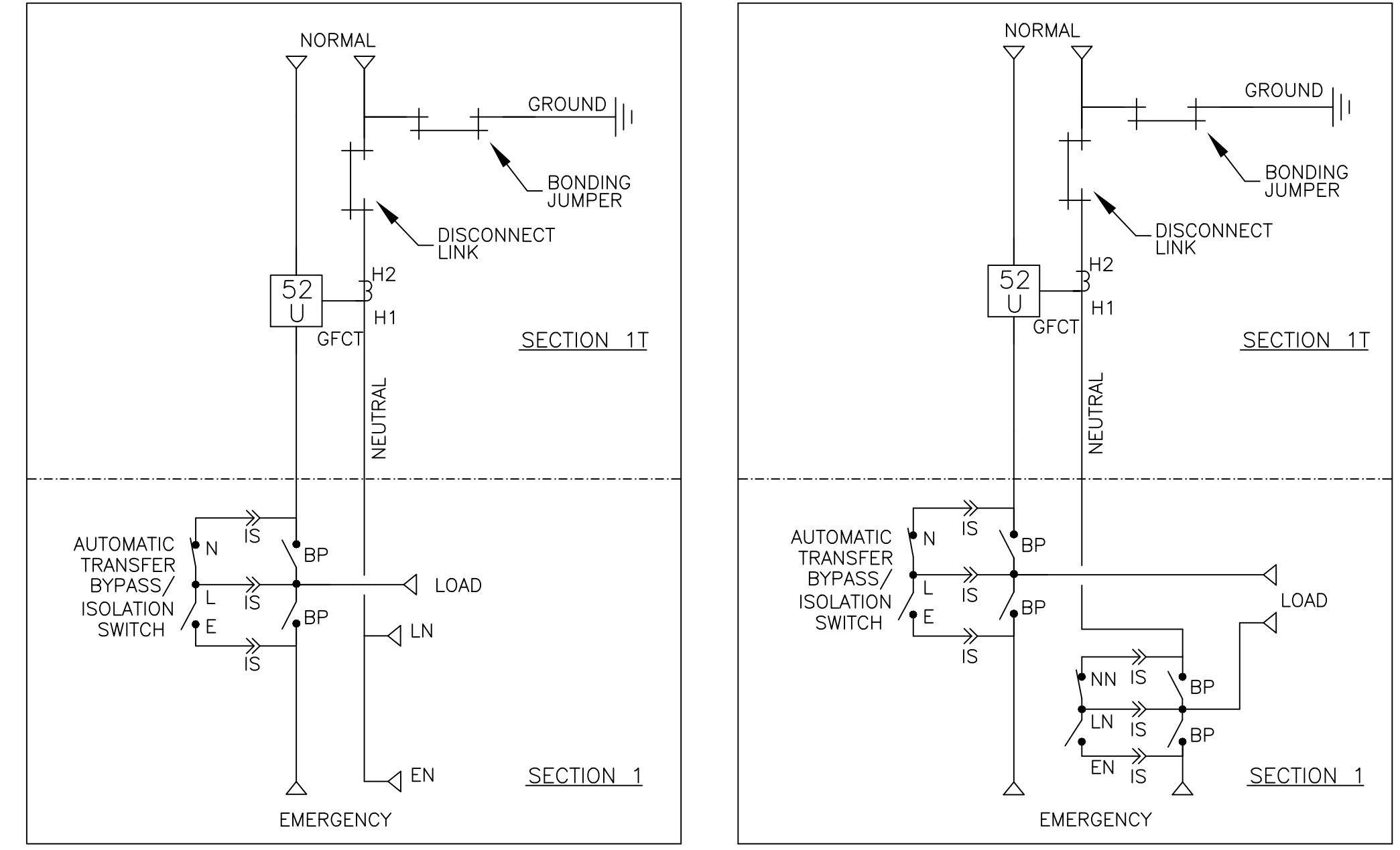
- SQUARE "D" 100% RATED TYPE 'NW', 1200AF/1000AT, 1200AF/1200AT, 1600AF/1600AT OR 2000AF/2000AT STATIONARY MOUNTED, MANUALLY OPERATED, WITH LONG DELAY, SHORT DELAY, INSTANTANEOUS AND GROUND FAULT TRIP SETTINGS,
- OPTIONAL ENERGY REDUCTION MAINTENANCE SETTING SYSTEM MAY BE SUPPLIED



FRONT VIEW

SIDE VIEW WITHOUT COVERS

ONE LINE DIAGRAMS



(WITH SOLID NEUTRAL)

(WITH SWITCHED/OVERLAPPING NEUTRAL)

F	291493	SG	RN	09/23/21
E	268159	VAK	RN	07/20/17
D	221482	DP	RN	1/21/09
C	220398	TR	WK	10/21/08
B	216220	TR	WK	12/4/07

PROJECT NAME:		REV. TO SHEET	ECN NO.	BY	APP.	DATE
OUTLINE		MOUNTING				
GAUB 1000A - 2000A, NW SE BREAKER						
TYPE 1 91 X 38 X 60						
DRAWN BY	BY	DATE	MANUFACTURING TOLERANCES TO BE IN ACCORDANCE WITH ASCO PROCEDURE MP-1-003. FOR PLASTIC PARTS SEE MP-1-055	ASSEM. REF. NO.	COMPUTER GENERATED DRAWING	
CHECKED	RN	5-10-07	PROPERTY OF ASCO POWER TECHNOLOGIES. USE PERMITTED FOR OUR WORK ONLY. ALL RIGHTS OF DESIGN OR INVENTION ARE RESERVED.		SCALE	1:1
PROJECT APPROVAL					SIZE	DS
FINAL APPROVAL					DWG. NO.	740256-050
					DRAWING F	ECN 291493
					REV.	SHEET 1 OF 1