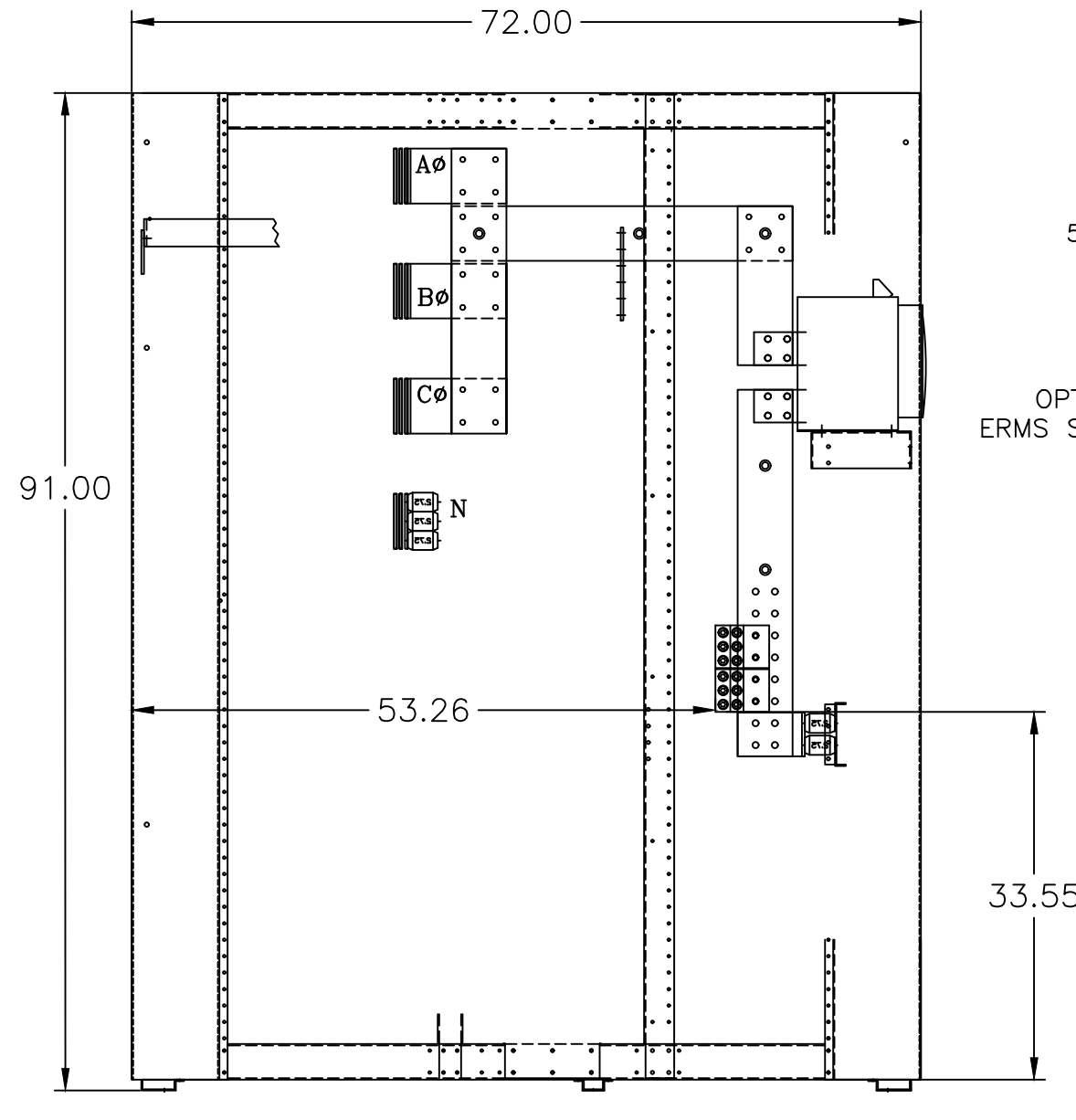
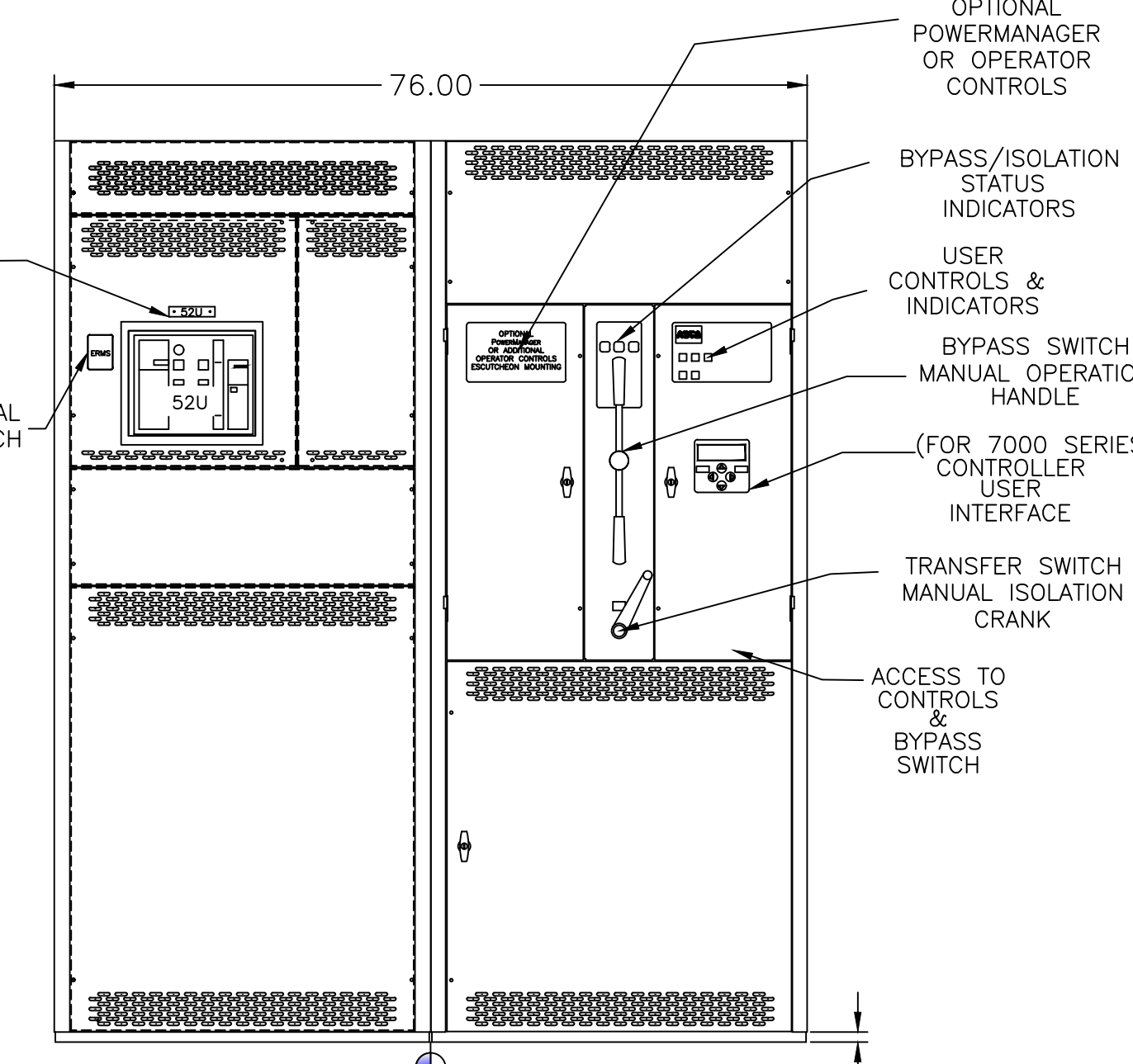


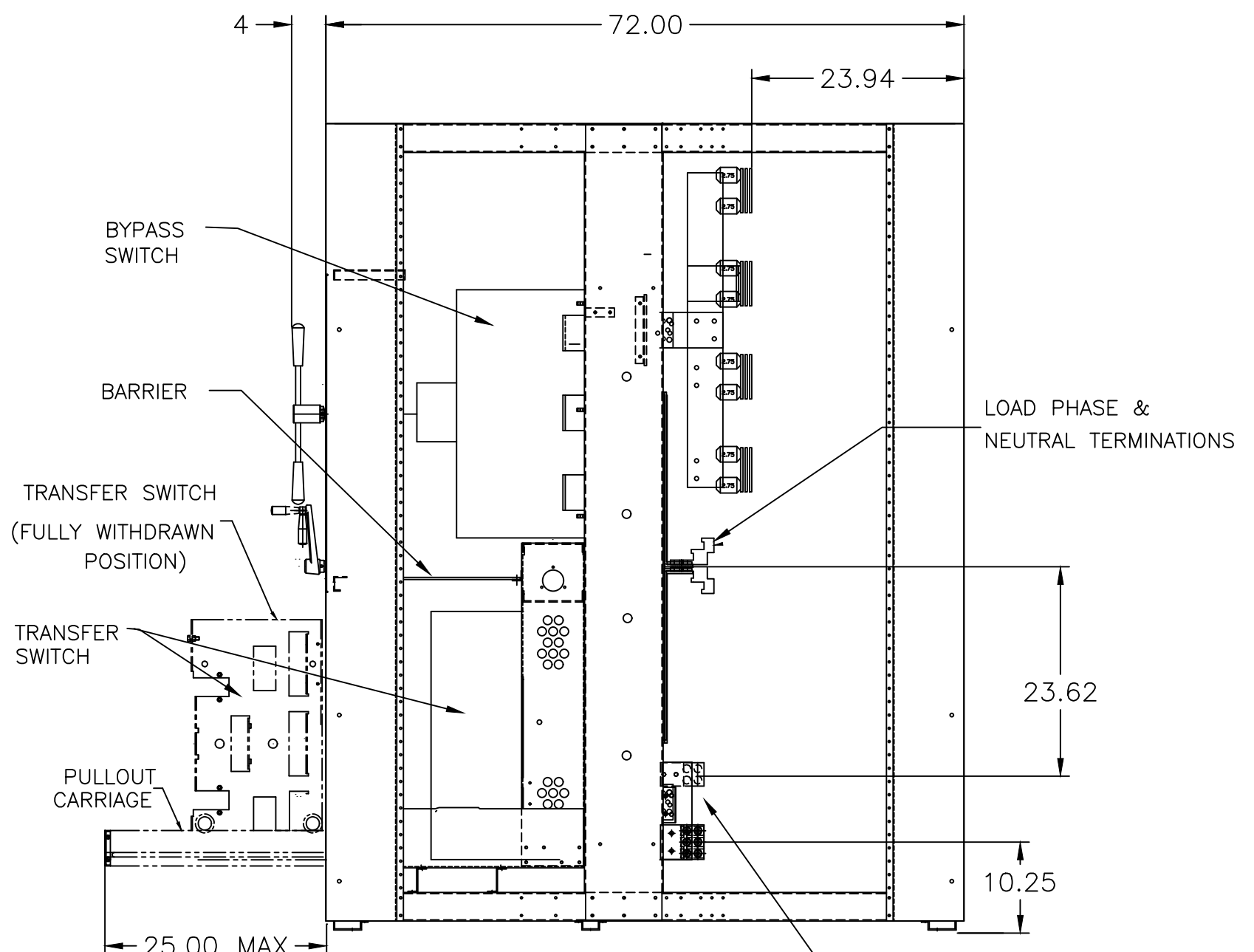
PLAN VIEW



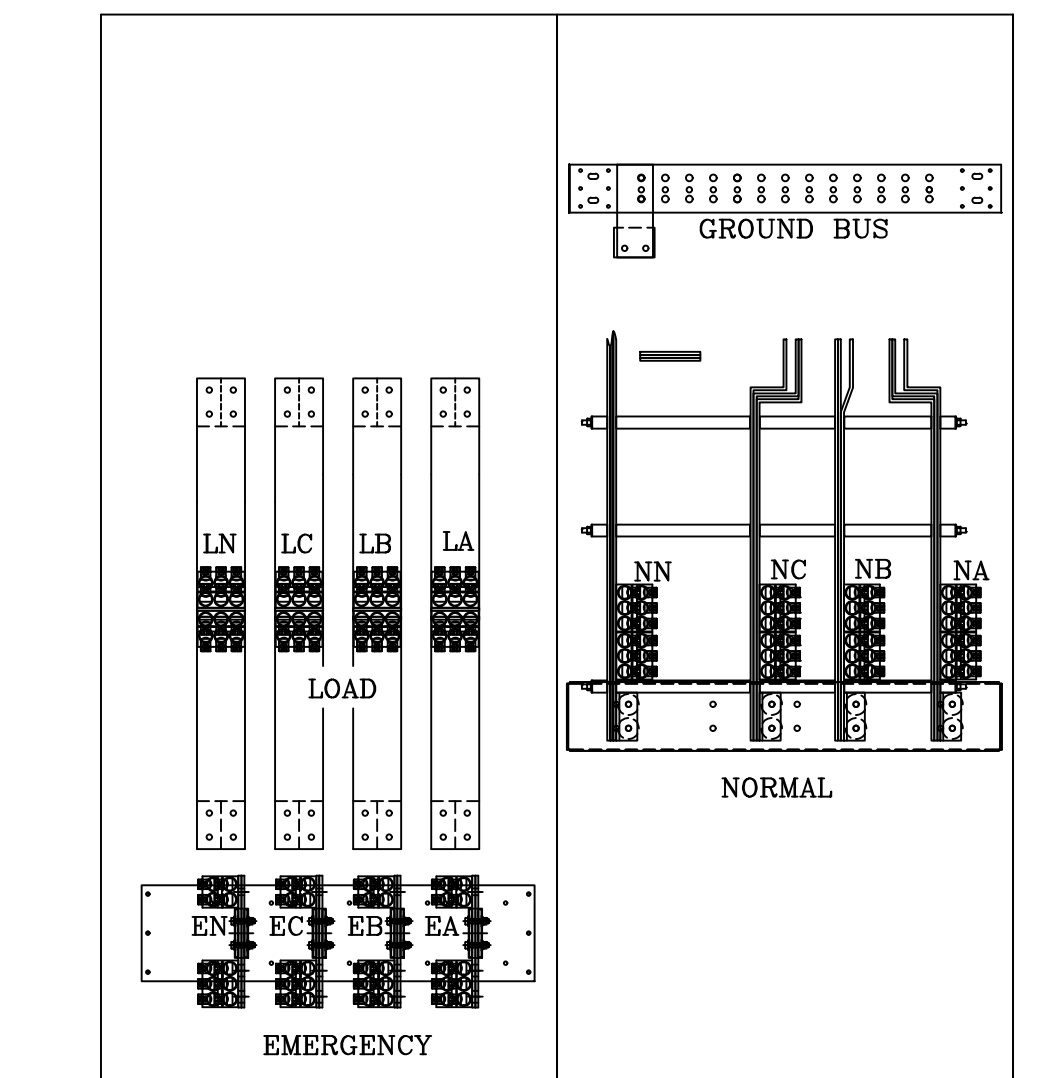
SECTION-1
LEFT SIDE VIEW



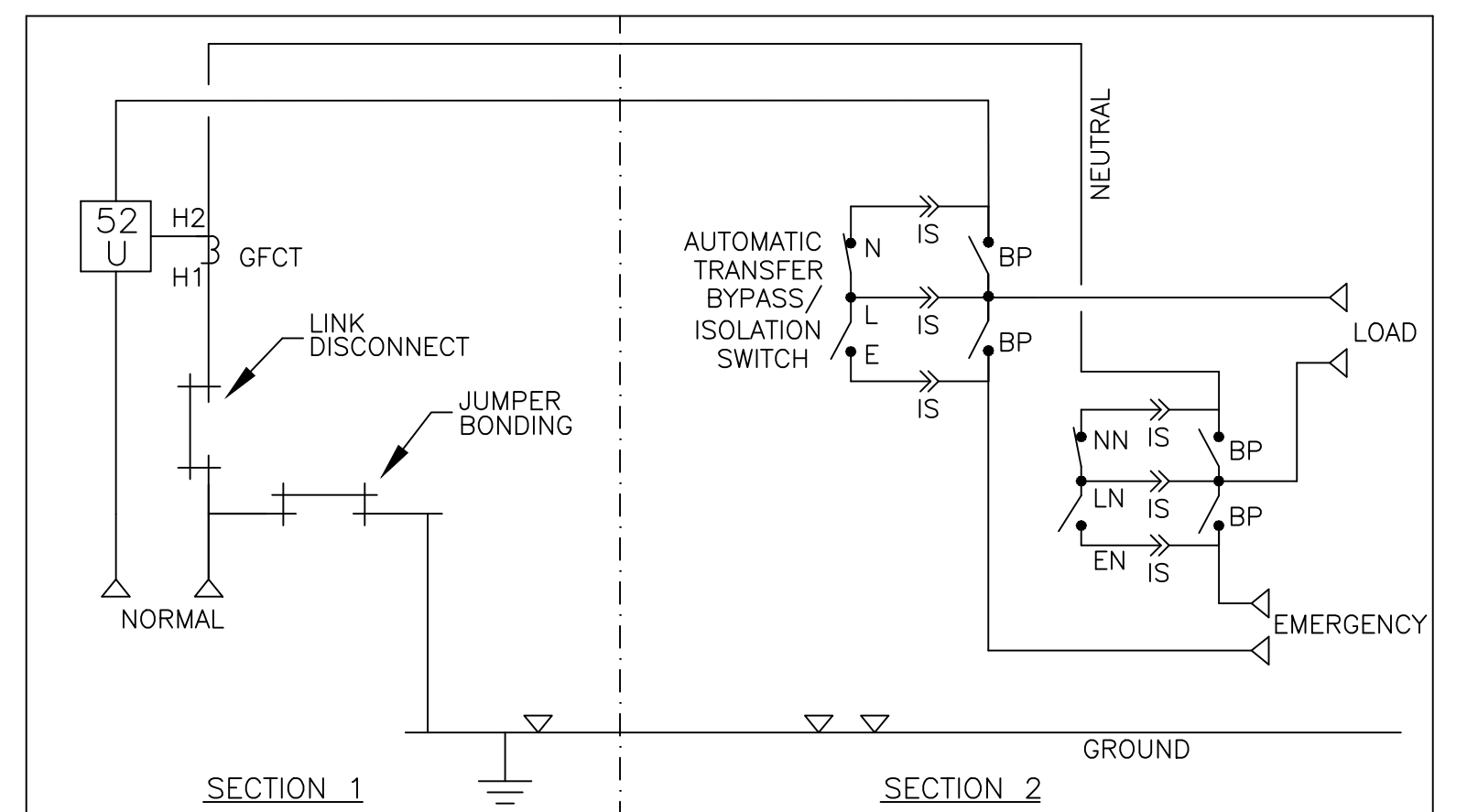
SECTION-1
FRONT VIEW



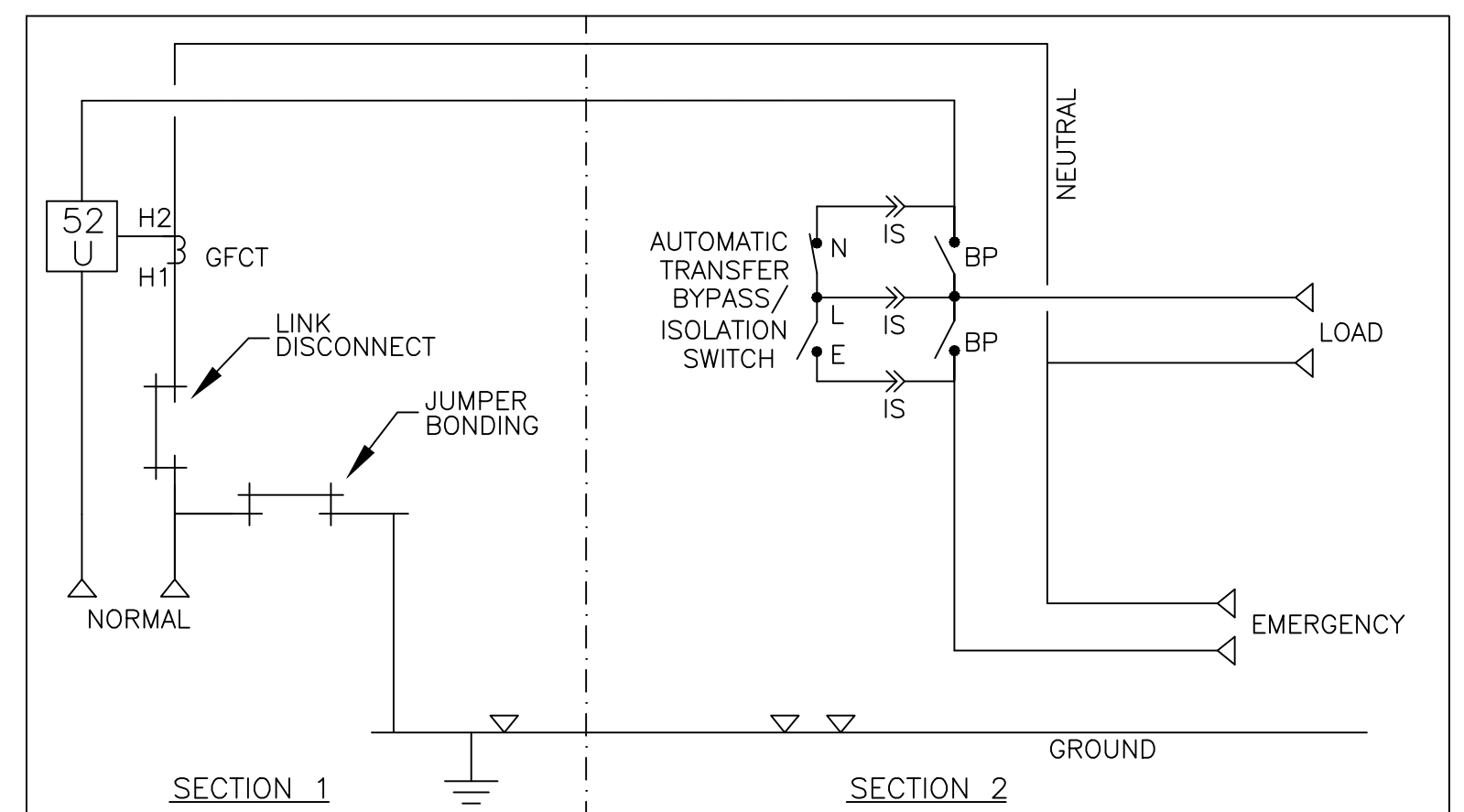
SECTION-2
RIGHT SIDE VIEW



SECTION-2
REAR VIEW



ONE LINE DIAGRAM (WITH SWITCHED/OVERLAPPING NEUTRAL)



ONE LINE DIAGRAM (WITH SOLID NEUTRAL)

GENERAL NOTES

- FLOOR MOUNTED ENCLOSURE.
TYPE 1 CONSTRUCTED FROM CODE GAUGE STEEL.
FINISH: ANSI 61 GRAY POLYESTER SEMI GLOSS ELECTROSTATIC POWDER.
- DOORS EQUIPPED WITH KEY LOCKABLE HANDLE AND CAPTIVE SCREWS.
- DESIGNED FOR FRONT & REAR ACCESS.
- RECOMMENDED CLEARANCES: FRONT: 38" REAR: 30"
- FOR SPECIFIED TRANSFER SWITCH, REFER TO OPERATOR'S MANUAL PROVIDED WITH UNIT.
- ⊙ DENOTES SHIPPING SPLIT. UNIT SHIPS IN 2 SECTIONS.

SYSTEM NOTES

- SYSTEM RATING: 2500 AMPS, 3000 AMPS, 3Ø, 4W.
SHORT CIRCUIT RATING: 100,000 RMS SYM @ 480V.
THE EMERGENCY SOURCE MUST BE PROTECTED BY A REMOTE OVERCURRENT PROTECTION DEVICE AS LISTED ON THE MARKINGS ON THE TRANSFER SWITCH.
- ALL BUS IS SILVER-PLATED COPPER
2500AMP BASED ON 1000A PER SQ. IN. DENSITY.
3000AMP BASED ON 800A PER SQ. IN. DENSITY.
- GROUND: 20% RATED.
- NEUTRAL: 100% RATED.
- APPLICABLE LABEL(S): U.L. 891, SUITABLE ONLY FOR USE AS SERVICE EQUIPMENT.

TRANSFER SWITCH

- G FRAME ISOLATION-BYPASS TRANSFER SWITCH 2500A - 3000A.
- TRANSFER SWITCH RATING: 2600 AMPS, 3000 AMPS.
SHORT CIRCUIT RATING WHEN PROTECTED BY A CIRCUIT BREAKER
TIME RESPONSE, MAXIMUM 0.05 SECONDS:
100,000 RMS SYM @ 480V (2500A - 3000A).
- A FULL RATED NEUTRAL CONNECTION FOR EACH SOURCE AND THE LOAD IS OPTIONAL. WHEN PROVIDED IT IS IN ONE OF THE FOLLOWING FORMATS.
A. SOLID NEUTRAL
B. SWITCHED NEUTRAL POLE
C. OVERLAPPING NEUTRAL POLE
- UL 1008

TERMINATIONS 2500A - 3000A

- SUPPLIED WITH MECHANICAL (SCREW TYPE) LUGS FOR CU/AL CABLE.
NORMAL: (10) 1/0 - 750MCM PER PHASE & NEUTRAL
LOAD: (10) 1/0 - 750MCM PER PHASE & NEUTRAL
EMERGENCY: (10) 1/0 - 750MCM PER PHASE & NEUTRAL
GROUND: (30) 1/0 - 750MCM
A. SUITABLE WIRE BENDING SPACE IS PROVIDED AS PER NEC.
- OPTIONAL LUGS MAY BE SUPPLIED.

CIRCUIT BREAKER: ITEM 52U

- SQUARE "D" 100% RATED TYPE 'NW', 3000AF/3000AT, 2500AF/3000AT STATIONARY MOUNTED, MANUALLY OPERATED, WITH LONG DELAY, SHORT DELAY, INSTANTANEOUS AND GROUND FAULT TRIP SETTINGS.
SHORT CIRCUIT RATING: AIC 100,000 RMS SYM @ 480V.
- OPTIONAL ENERGY REDUCTION MAINTENANCE SETTING SYSTEM MAY BE SUPPLIED.
- U.L. 489

PROJECT NAME:		REV. TO SHEET		295861	MCH	RN	05-27-22
OUTLINE		SEE ECN		COMPUTER GENERATED DRAWING			
GAUB, 2500A - 3000A, SERVICE ENTRANCE BREAKER ON NORMAL		MOUNTING		SCALE 1/16" = 1" SIZE DS			
TYPE 1 91 X 76 X 72		THIRD ANGLE PROJECTION		DWG. NO. 740256-015			
BY	DATE	MANUFACTURING TOLERANCES TO BE IN ACCORDANCE WITH ASCO PROCEDURE MP-1-003. FOR PLASTIC PARTS SEE MP-1-055		ASSEM. REF. NO.		REV. TO SHEET	
DRAWN BY	AE	07/30/04	PROPERTY OF ASCO POWER TECHNOLOGIES. USE PERMITTED FOR OUR WORK ONLY. ALL RIGHTS OF DESIGN OR INVENTION ARE RESERVED.		REV. NO.		1 OF 1
CHECKED	BK	07/30/04	ASCOS		REV. NO.		
PROJECT APPROVAL	WK	07/30/04	ASCOS		REV. NO.		
FINAL APPROVAL			ASCOS		REV. NO.		