

GENERAL NOTES

- TYPE 1 WALL MOUNTED ENCLOSURE.
- DOOR HAS KEY LOCKABLE HANDLE AND CAPTIVE SCREWS AS REQUIRED.
- FINISH: ANSI 61 GRAY POLYESTER SEMI GLOSS ELECTROSTATIC POWDER.
- RECOMMENDED CLEARANCES:
FRONT: 36 INCHES
- ALL BUS IS SILVER-PLATED COPPER, BASED ON 1000A PER SQ. IN. DENSITY.
- A FULL RATED NEUTRAL CONNECTION FOR EACH SOURCE AND THE LOAD IS OPTIONAL. WHEN PROVIDED IT IS IN ONE OF THE FOLLOWING FORMATS AS SPECIFIED BY THE CATALOG NO. NEUTRAL TYPE;
 - SOLID (COPPER BUS) NEUTRAL (PROVIDED STANDARD ON E3AUS)
 - OVERLAPPING NEUTRAL POLE
- DESIGNED FOR FRONT ACCESS ONLY.
- FOR SPECIFIED TRANSFER SWITCH, REFER TO OPERATOR'S MANUAL PROVIDED WITH UNIT.

SPECIFICATIONS

- SERVICE VOLTAGE:
SYSTEM RATING: 225 AMPS, 250 AMPS, 300 AMPS, 350 AMPS, 400 AMPS, 3 ϕ , 4W OR 1 ϕ , 3W.
GROUND BUS- 150 AMPS
SHORT CIRCUIT RATING- 35,000 RMS SYM AMPERES @ 480V.
THE EMERGENCY SOURCE INPUT MUST BE PROTECTED BY A REMOTE OVERCURRENT PROTECTION DEVICE AS LISTED ON THE MARKINGS ON THE TRANSFER SWITCH.
- BATTERY VOLTAGE: N/A
- NEUTRAL BUS: A FULL RATED NEUTRAL IS PROVIDED.
- APPLICABLE LABELS: U.L. 1008- SUITABLE ONLY FOR USE AS SERVICE EQUIPMENT.

NOTES 225-250 AMPS

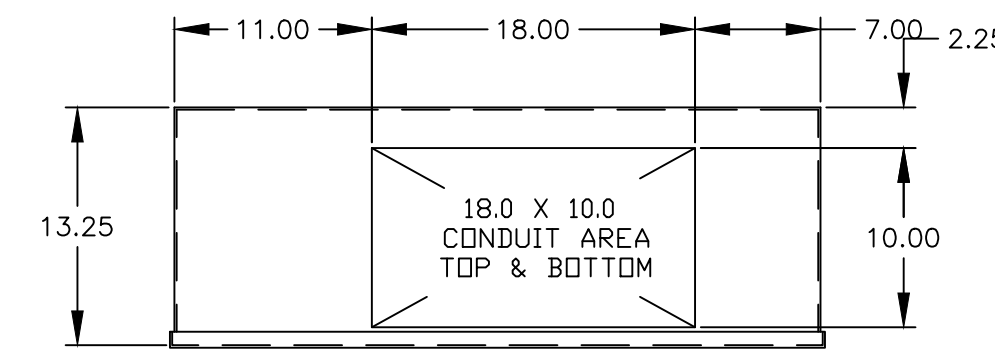
- SUPPLIED WITH STANDARD MECHANICAL (SCREW TYPE) LUGS ON THE EMERGENCY & LOAD BUS STABS. ONE (1) LUG PER PHASE AND NEUTRAL EACH SUITABLE FOR CONNECTION OF (1) #4 AWG TO 600MCM OR (2) 1/0 AWG TO 250MCM CU/AL CABLE (SEE NOTE "A" BELOW).
 - SUITABLE WIRE BENDING SPACE IS PROVIDED FOR UP TO TWO (2) 1/0 AWG CABLE PER TERMINAL PER NEC.
- FACTORY WIRING: (1) 300MCM PER PHASE AND NEUTRAL
- GROUND LUGS ARE PROVIDED STANDARD AS FOLLOWS;
(3) #6 AWG- 250 MCM CU/AL CABLE
- NORMAL CABLE CONNECTIONS SUITABLE FOR (1) #1 AWG TO 600 MCM OR (2) #1 AWG TO 250 MCM PER ϕ AND NEUTRAL.

NOTES 300-400 AMPS

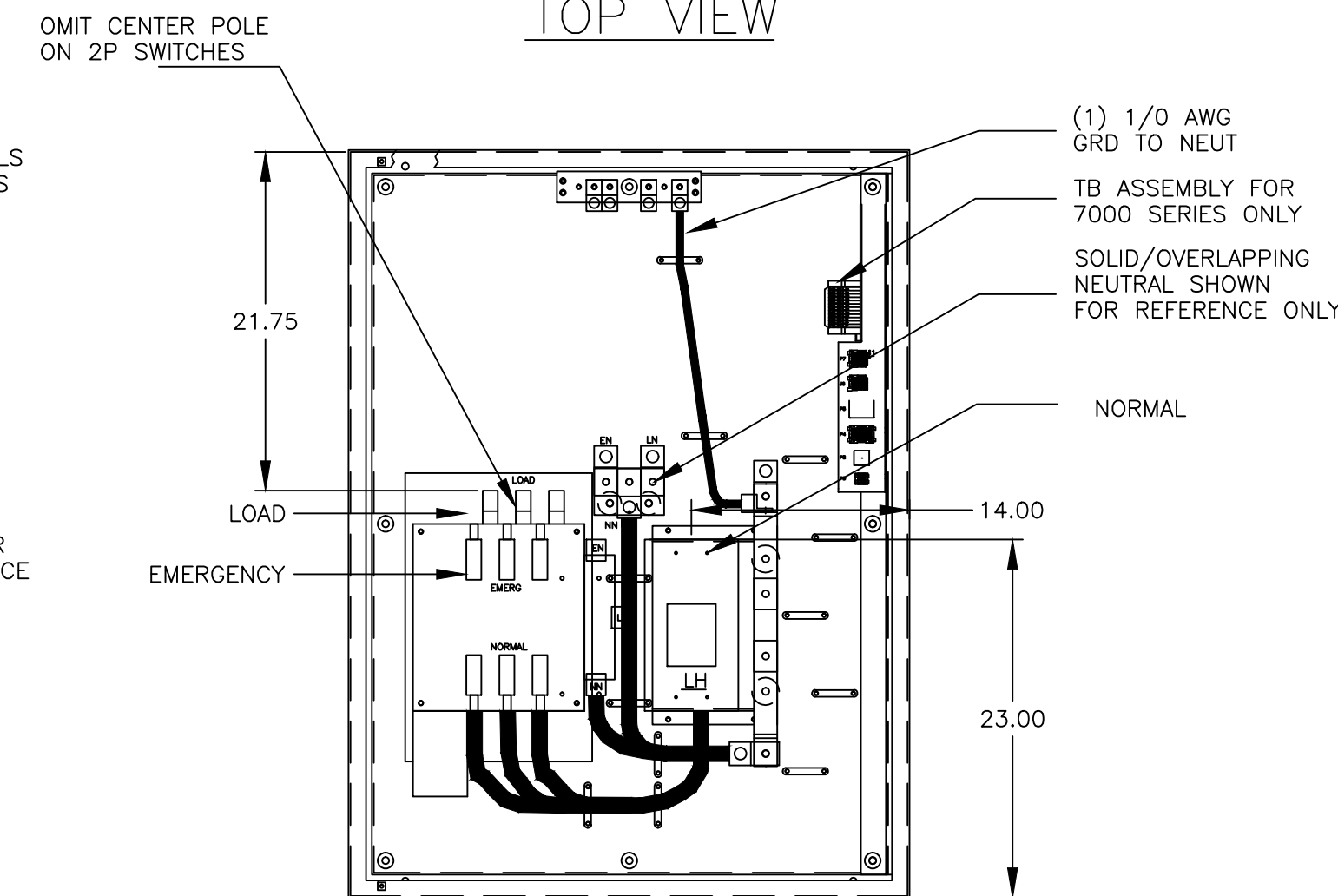
- SUPPLIED WITH STANDARD MECHANICAL (SCREW TYPE) LUGS ON THE EMERGENCY & LOAD BUS STABS. ONE (1) LUG PER PHASE AND NEUTRAL EACH SUITABLE FOR CONNECTION OF (1) #4 AWG TO 600MCM OR (2) 1/0 AWG TO 250MCM CU/AL CABLE (SEE NOTE "A" BELOW).
 - SUITABLE WIRE BENDING SPACE IS PROVIDED FOR UP TO TWO (2) 1/0 AWG CABLE PER TERMINAL PER NEC.
- FACTORY WIRING: (2) 3/0 PER PHASE AND NEUTRAL
- GROUND LUGS ARE PROVIDED STANDARD AS FOLLOWS;
(3) #6 AWG- 250 MCM CU/AL CABLE
- NORMAL CABLE CONNECTIONS SUITABLE FOR (1) #1 AWG TO 600 MCM OR (2) #1 AWG TO 250 MCM PER ϕ AND NEUTRAL.

CIRCUIT BREAKER: ITEM 52U

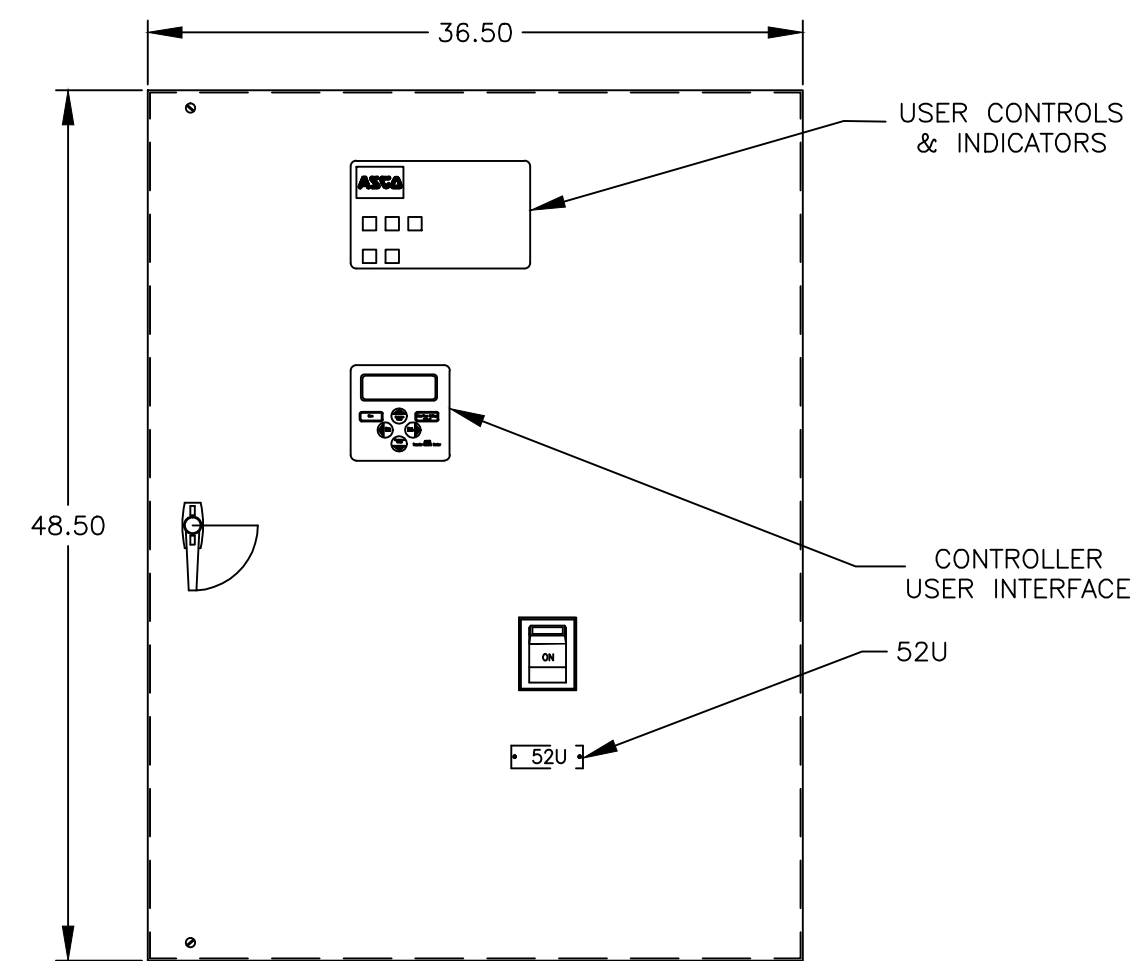
SQUARE "D" 80% RATED, TYPE 'LHL', 400AF/225AT, 400AF/250AT, 400AF/300AT, 400AF/350AT, 400AF/400AT, MOLDED CASE CIRCUIT BREAKER, THERMAL MAGNETIC, TRIP SETTINGS.



TOP VIEW

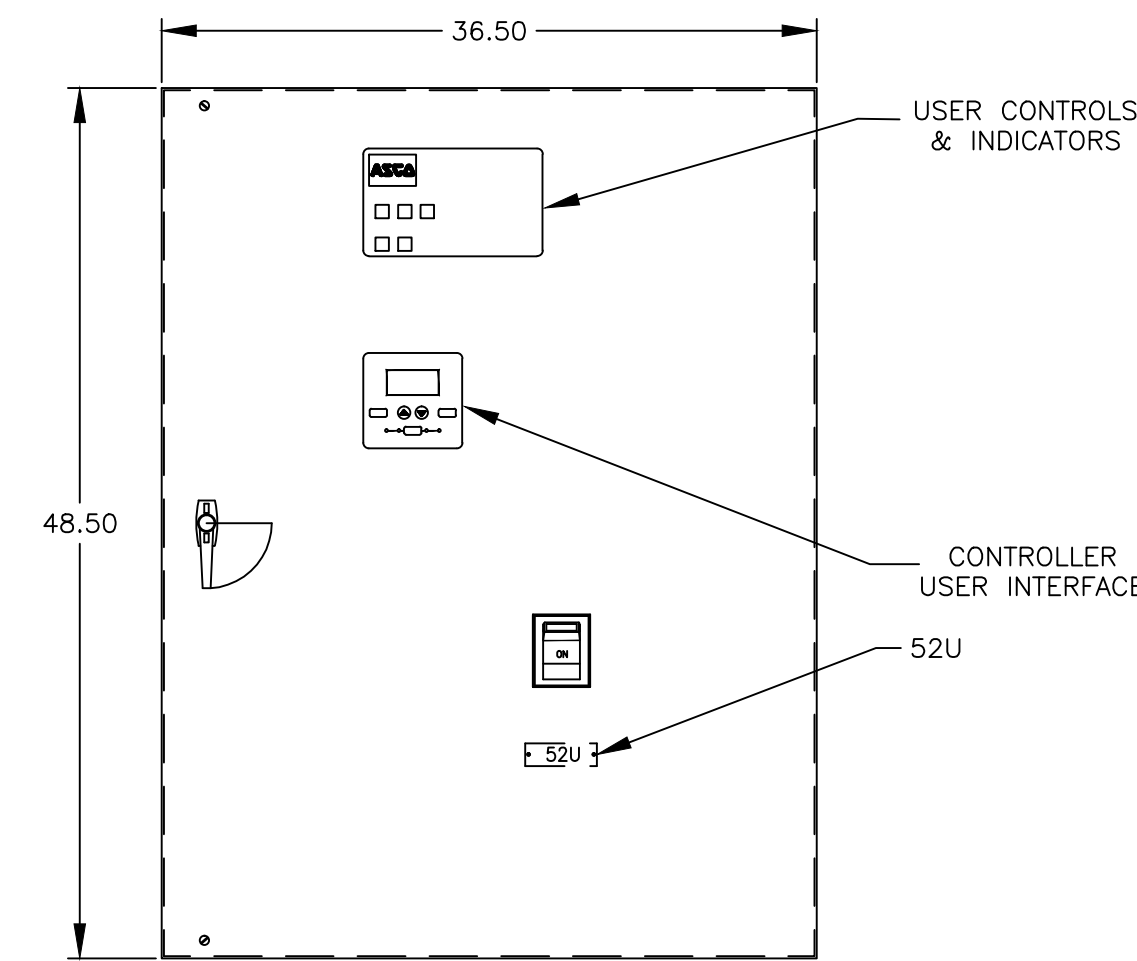


FRONT VIEW WITHOUT DOOR



FRONT VIEW

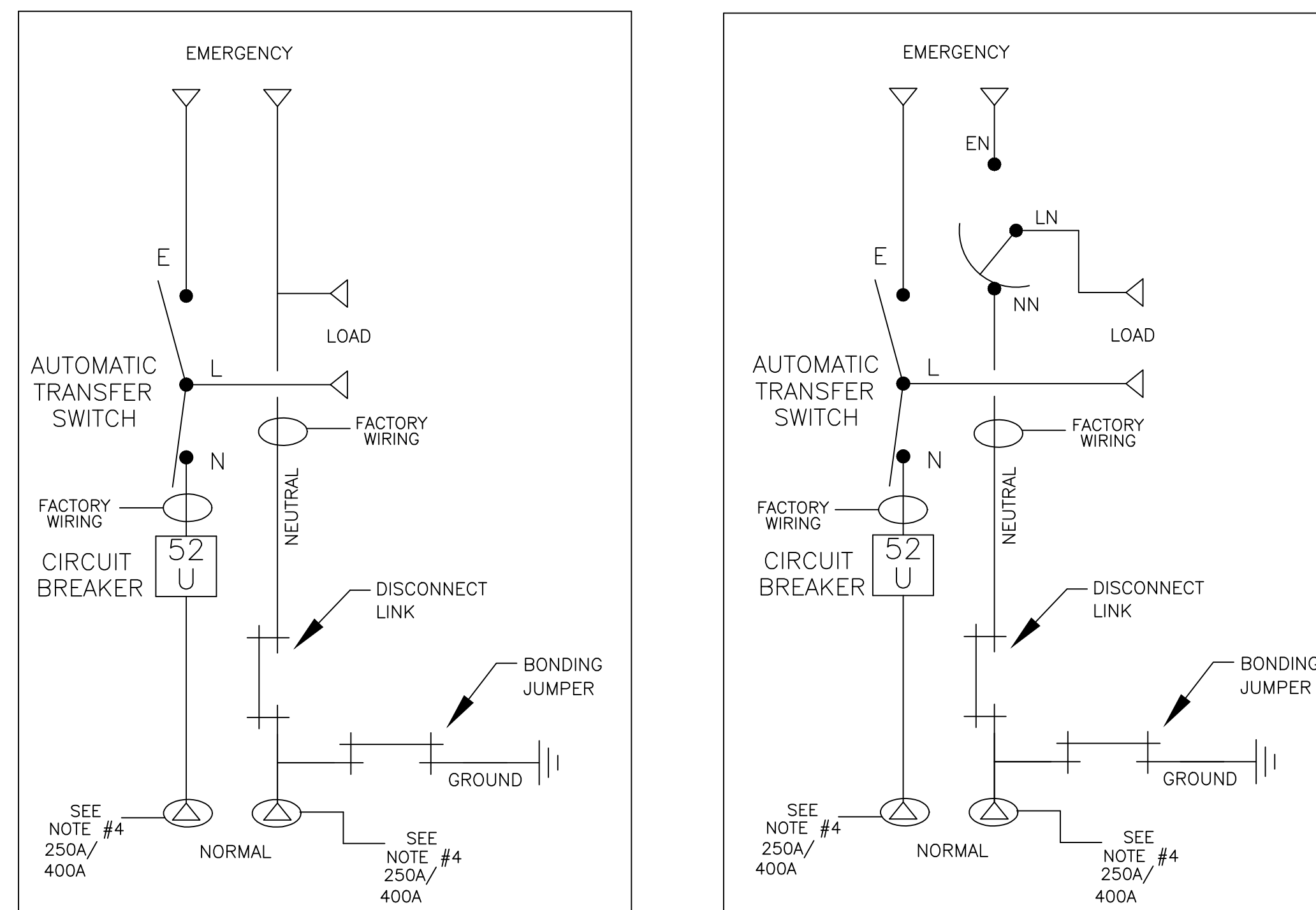
7000 SERIES/4000 SERIES



FRONT VIEW

300 SERIES

ONE LINE DIAGRAMS



(WITH SOLID NEUTRAL)

(WITH OVERLAPPING NEUTRAL)

K	248463	AJ	MM
	SEE ECN		
J	248067	LY	
	SEE ECN		
REV. TO SHEET	ECN NO.	BY	APP.
			DATE
PROJECT NAME:		ASSEMBLY REF. NO.	
OUTLINE		COMPUTER GENERATED DRAWING	
EAUS 225-400A LHL		SCALE 5/32" = 1" SIZE DS	
TYPE 1 48 X 36 X 13		DWG. NO.	
		754576	
DRAWN BY		DRAWING K	
CHECKED		ECN 248463	
PROJECT APPROVAL		SHEET 1 OF 1	
FINAL APPROVAL			

PROJECT NAME:		ASSEMBLY REF. NO.	
OUTLINE		COMPUTER GENERATED DRAWING	
EAUS 225-400A LHL		SCALE 5/32" = 1" SIZE DS	
TYPE 1 48 X 36 X 13		DWG. NO.	
		754576	
DRAWN BY		DRAWING K	
CHECKED		ECN 248463	
PROJECT APPROVAL		SHEET 1 OF 1	
FINAL APPROVAL			

ASCO POWER TECHNOLOGIES, L.P.
FLORHAM PARK, NEW JERSEY 07932 U.S.A.