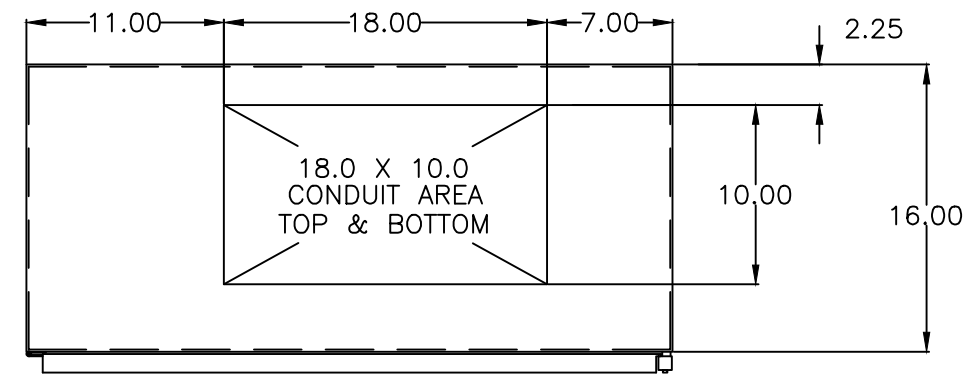
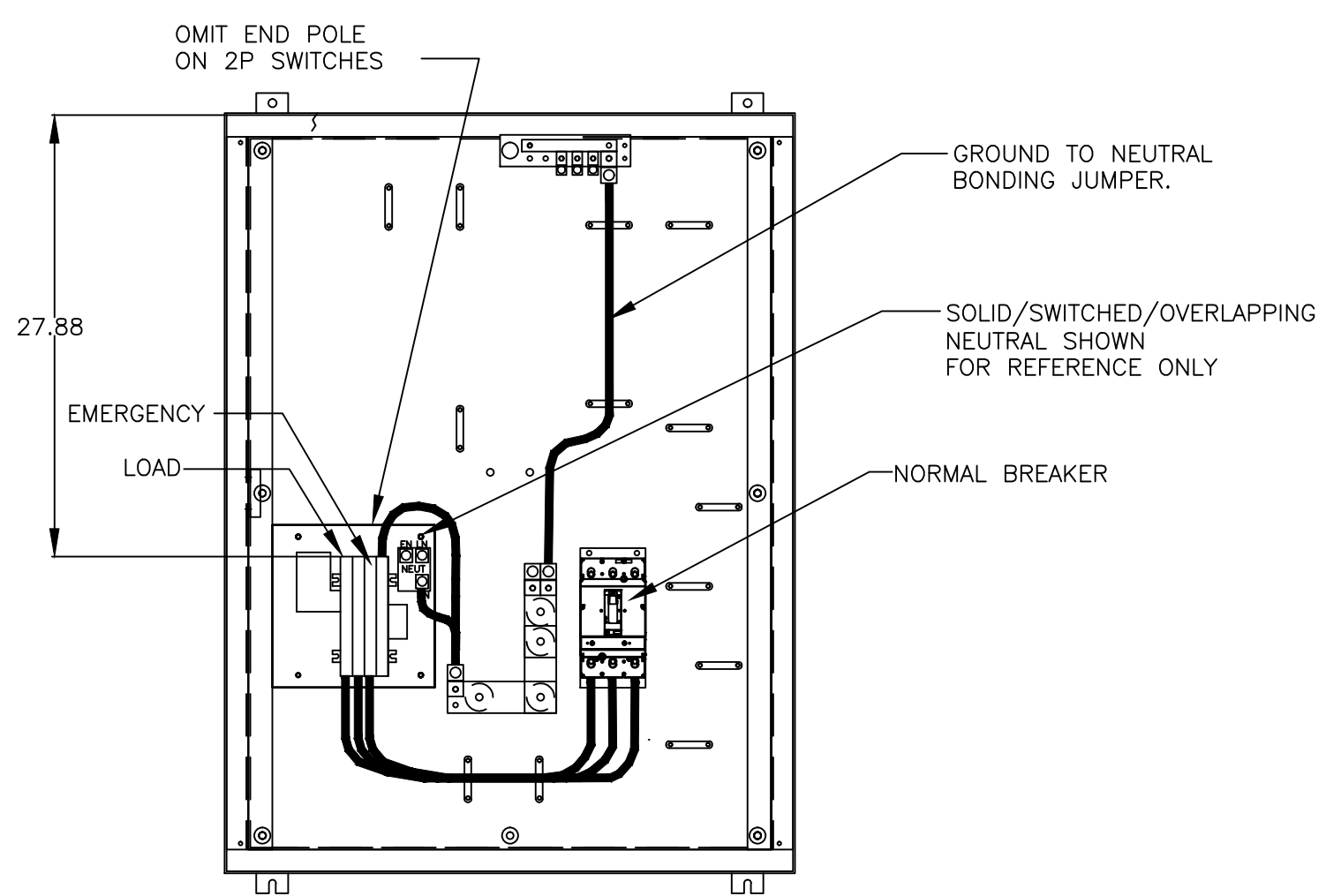


GENERAL NOTES

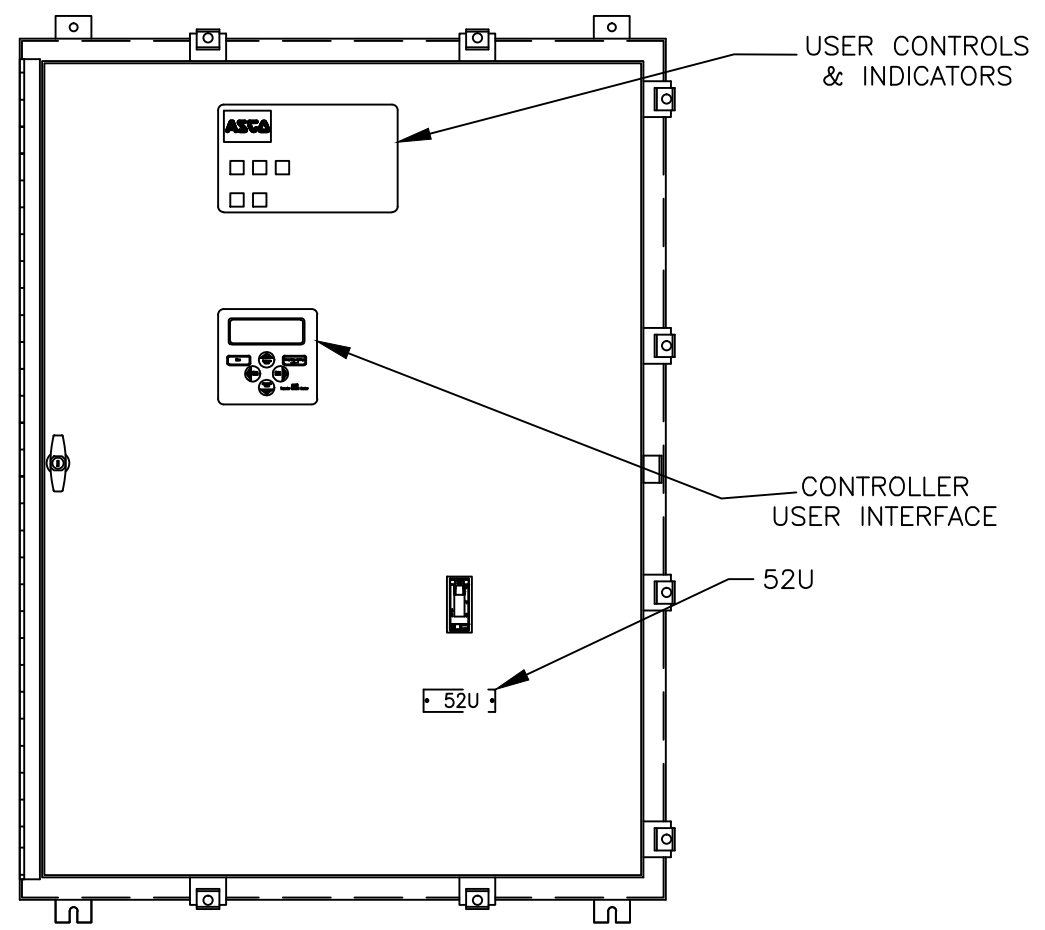
- UL 508. TYPE 4/4X WALL MOUNTED ENCLOSURE.
- DOOR HINGED ON LEFT SIDE. STAINLESS STEEL CLAMPS ON THREE SIDES, SEAL GASKETED DOOR. HASP AND STAPLE FOR PADLOCKING.
- FINISH: TYPE 4: ANSI 61 GRAY POLYESTER SEMI GLOSS ELECTROSTATIC POWDER.
TYPE 4X (P): CONSTRUCTED OF CODE GAUGE TYPE 304 STAINLESS STEEL.
TYPE 4X (V): CONSTRUCTED OF CODE GAUGE TYPE 316 STAINLESS STEEL.
- RECOMMENDED CLEARANCES:
FRONT: 36 INCHES
- ALL BUS IS SILVER-PLATED COPPER.
- A FULL RATED NEUTRAL CONNECTION FOR EACH SOURCE AND THE LOAD IS OPTIONAL. WHEN PROVIDED IT IS IN ONE OF THE FOLLOWING FORMATS AS SPECIFIED BY THE CATALOG NO. NEUTRAL TYPE;
A. SOLID (COPPER BUS) NEUTRAL (PROVIDED STANDARD ON D3AUS)
B. SWITCHED NEUTRAL POLE
C. OVERLAPPING NEUTRAL POLE
- DESIGNED FOR FRONT ACCESS ONLY.
- FOR SPECIFIED TRANSFER SWITCH, REFER TO OPERATOR'S MANUAL PROVIDED WITH UNIT.



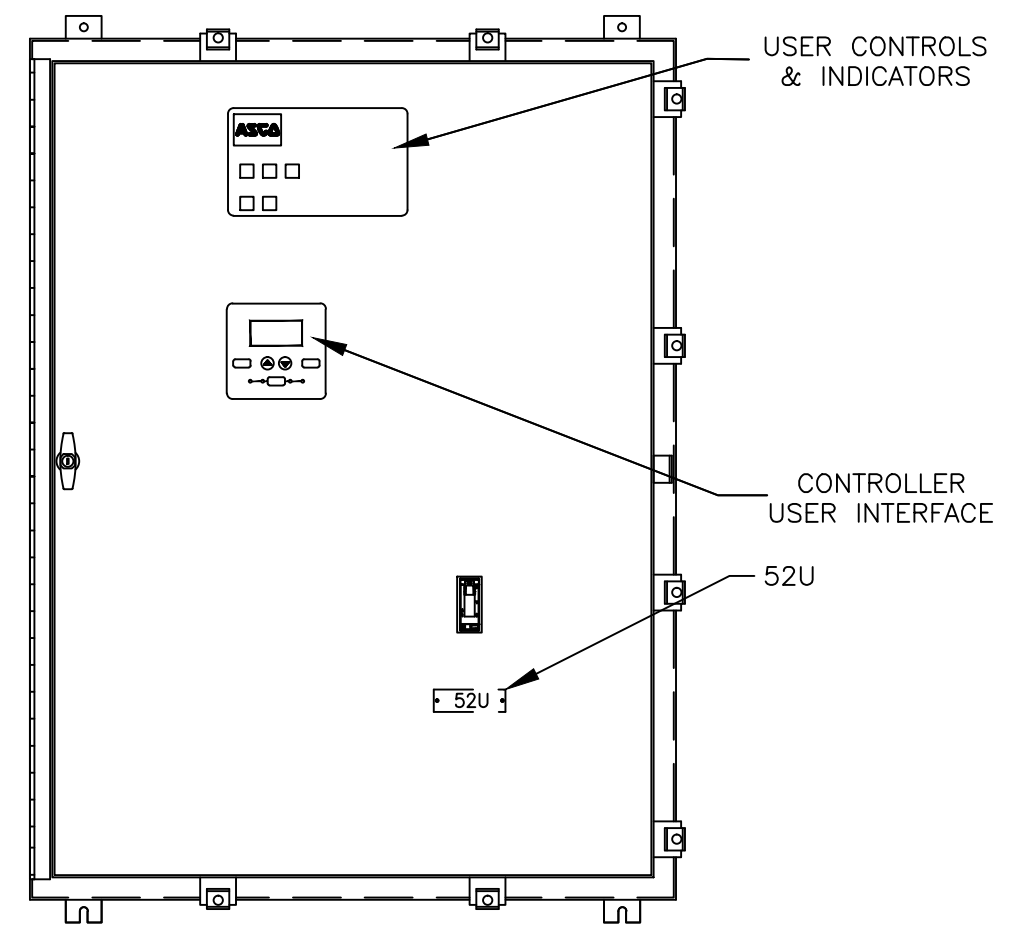
TOP VIEW



FRONT VIEW WITHOUT DOOR



INNER DOOR FRONT VIEW
7000 SERIES



INNER DOOR FRONT VIEW
300 SERIES

SPECIFICATIONS

- SERVICE VOLTAGE:
SYSTEM RATING: 70 AMPS, 80 AMPS, 90 AMPS, 100 AMPS, 110 AMPS, 125 AMPS, 150 AMPS, 175 AMPS, 200 AMPS, 225 AMPS 3φ, 4W OR 1φ, 3W.
GROUND BUS- 100 AMPS
SHORT CIRCUIT RATING- 25,000 RMS SYM AMPERES @ 480V.
THE EMERGENCY SOURCE MUST BE PROTECTED BY A REMOTE OVERCURRENT PROTECTION DEVICE AS LISTED ON THE MARKINGS ON THE TRANSFER SWITCH.
- NEUTRAL BUS: 100% RATED NEUTRAL IS PROVIDED.
- APPLICABLE LABELS: U.L. 1008- SUITABLE ONLY FOR USE AS SERVICE EQUIPMENT.

NOTES 70-150 AMPS

- SUPPLIED WITH STANDARD MECHANICAL (SCREW TYPE) LUGS ON THE LOAD & EMERGENCY BUS STABS. ONE (1) LUG PER PHASE AND NEUTRAL EACH SUITABLE FOR CONNECTION OF (1) #6 TO 4/0 AWG CU/AL CABLE (SEE NOTE "A" BELOW).
A. SUITABLE WIRE BENDING SPACE IS PROVIDED AS PER NEC.
- GROUND LUGS ARE PROVIDED STANDARD AS FOLLOWS:
(3) #6- 1/0 AWG CU/AL CABLE
- NORMAL CU/AL MECHANICAL LUGS SUITABLE FOR (1) #6 TO 3/0 AWG PER φ AND NEUTRAL.

NOTES 175 AMPS

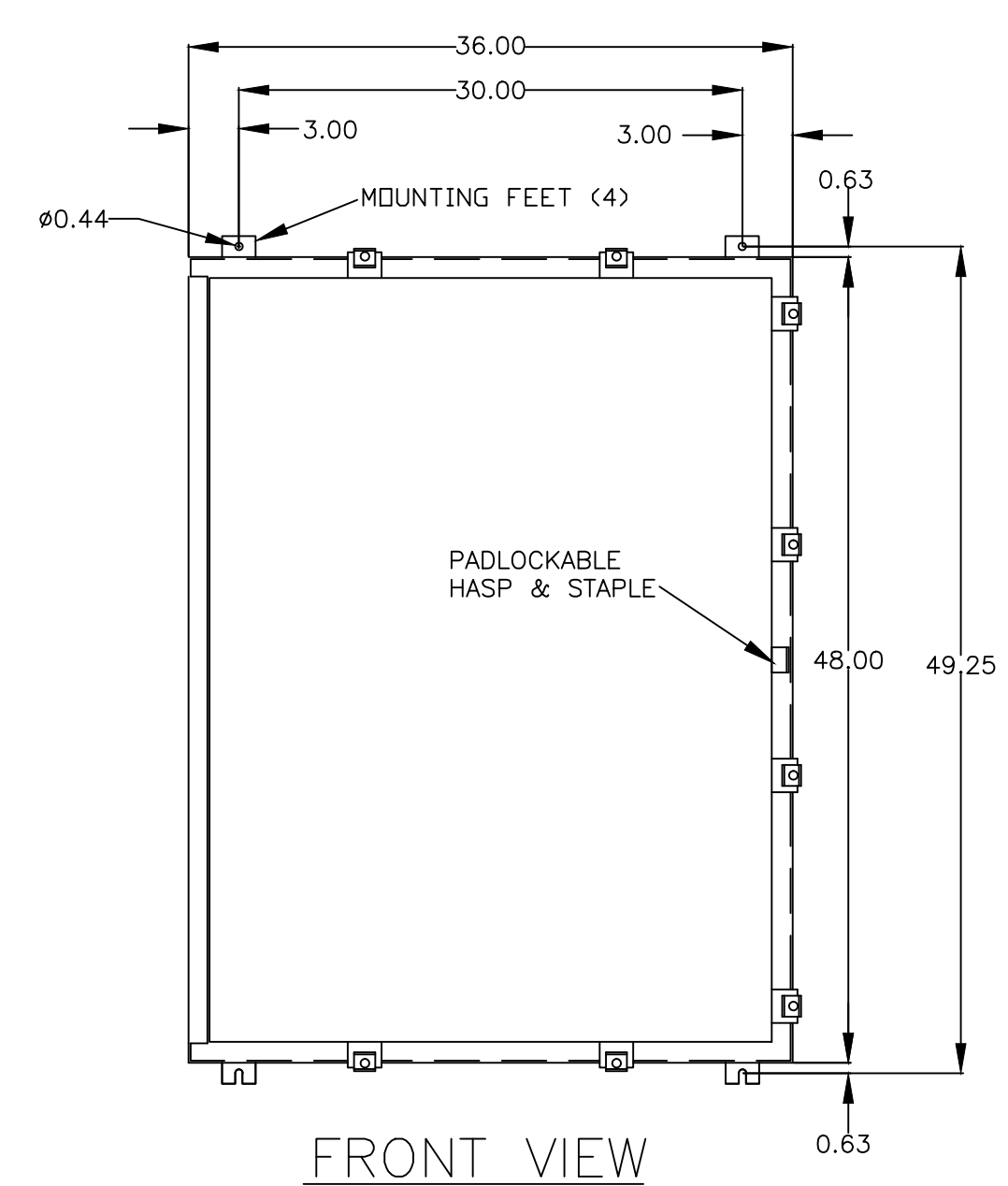
- SUPPLIED WITH STANDARD MECHANICAL (SCREW TYPE) LUGS ON THE LOAD & EMERGENCY BUS STABS. ONE (1) LUG PER PHASE AND NEUTRAL EACH SUITABLE FOR CONNECTION OF (1) #6 TO 4/0 AWG CU/AL CABLE (SEE NOTE "A" BELOW).
A. SUITABLE WIRE BENDING SPACE IS PROVIDED AS PER NEC.
- GROUND LUGS ARE PROVIDED STANDARD AS FOLLOWS:
(3) #6- 1/0 AWG CU/AL CABLE
- NORMAL CU/AL MECHANICAL LUGS SUITABLE FOR (1) #4 TO 4/0 AWG PER φ AND NEUTRAL.

NOTES 200-225 AMPS

- SUPPLIED WITH STANDARD MECHANICAL (SCREW TYPE) LUGS ON THE LOAD & EMERGENCY BUS STABS. ONE (1) LUG PER PHASE AND NEUTRAL EACH SUITABLE FOR CONNECTION OF (1) #6 TO 4/0 AWG CU/AL CABLE (SEE NOTE "A" BELOW).
A. SUITABLE WIRE BENDING SPACE IS PROVIDED AS PER NEC.
- GROUND LUGS ARE PROVIDED STANDARD AS FOLLOWS:
(3) #6- 1/0 AWG CU/AL CABLE
- NORMAL CU/AL MECHANICAL LUGS SUITABLE FOR (1) 3/0 TO 4/0 AWG PER φ AND NEUTRAL.

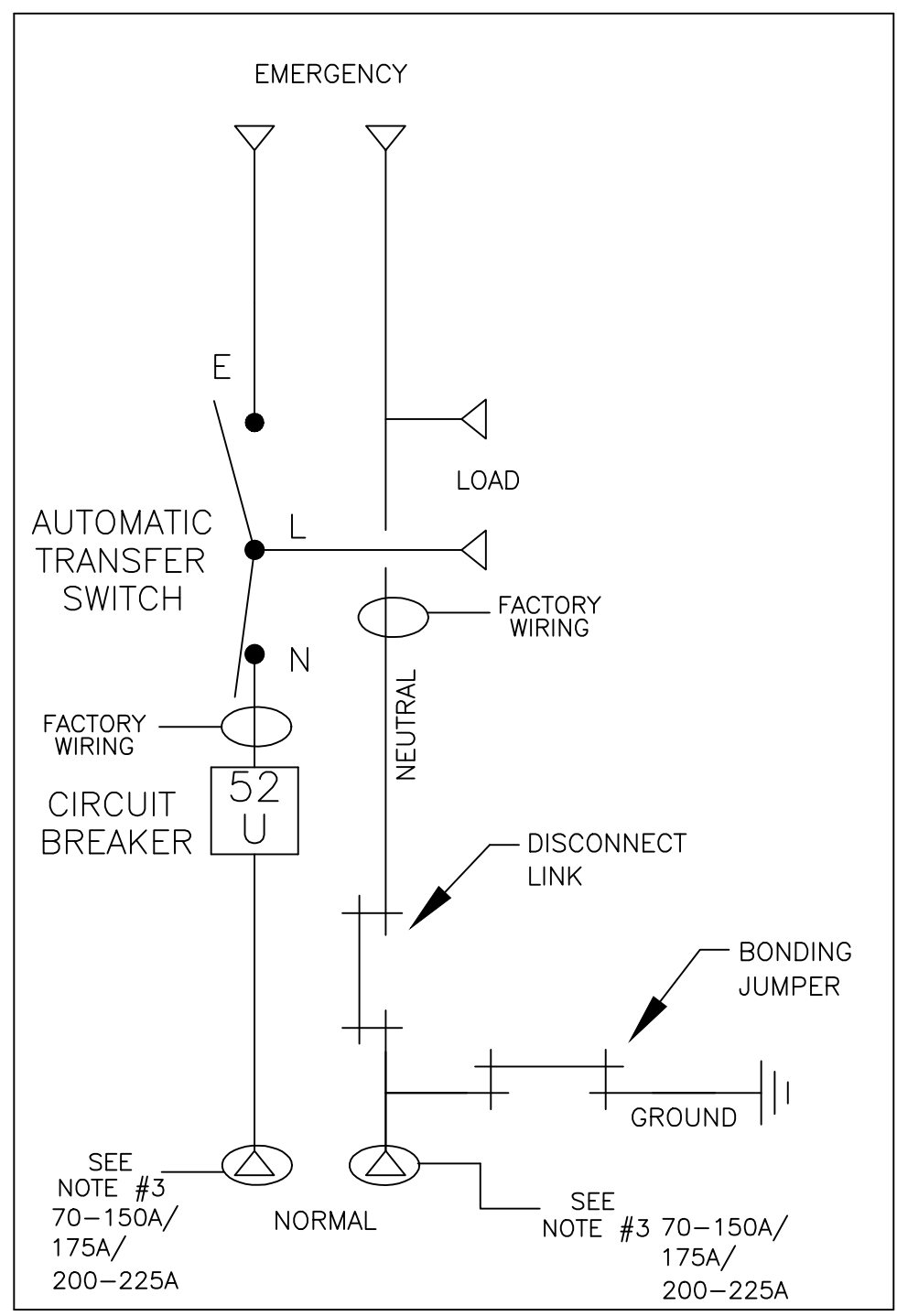
CIRCUIT BREAKER: ITEM 52U

- SQUARE D, TYPE HG, 80% RATED MOLDED CASE CIRCUIT BREAKER, 150AF/70AT, 150AF/80AT, 150AF/90AT, 150AF/100AT, 150AF/110AT, 150AF/125AT, 150AF/150AT, THERMAL MAGNETIC TRIP.
- SQUARE D, TYPE JG, 80% RATED MOLDED CASE CIRCUIT BREAKER, 250AF/175AT, 250AF/200AT, 250AF/225AT, THERMAL MAGNETIC TRIP.
- OPTIONAL 100% RATED BREAKER MAY BE SUPPLIED.

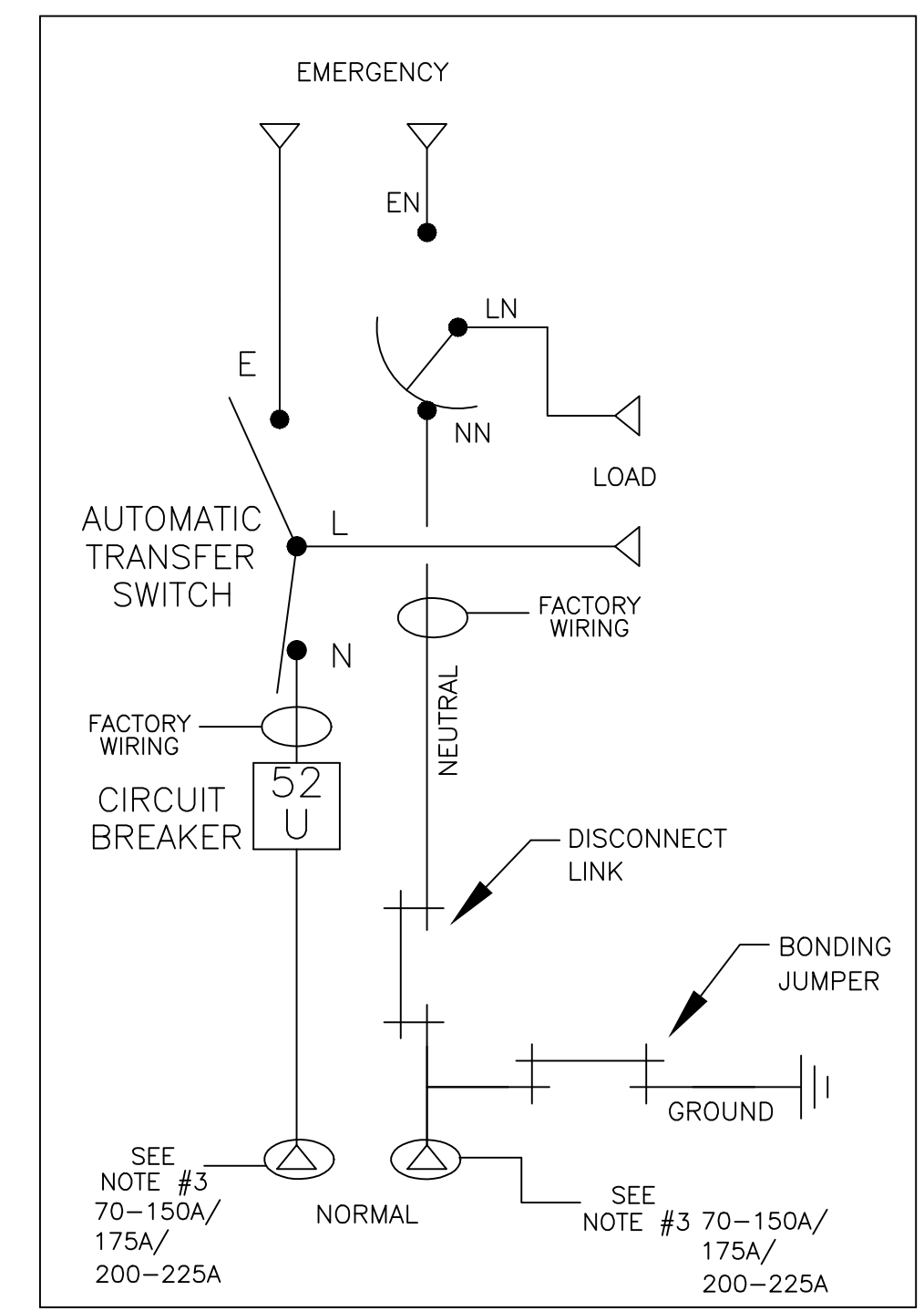


FRONT VIEW

ONE LINE DIAGRAMS



(WITH SOLID NEUTRAL)



(WITH SWITCHED/OVERLAPPING NEUTRAL)

G	270195	JA	RN	12/06/17	C	259843	BCG	RN	3/8/16
F	264338	BG	RN	11/23/16	B	248287	VAK	RN	
E	262413	BG	RN	07/29/16	A	225276	DP	RN	11/24/09
D	259870	SV	RN	03-10-16		222893	DP	RN	5/12/09

PROJECT NAME: NORMAL SE BREAKER 70-225A, TYPE 4/4X ENCLOSURE				REV. TO SHEET	ECN NO.	BY	APP.	DATE
OUTLINE				MOUNTING				
DAUS 70 - 225A HG/JG NORMAL SE BREAKER				TYPE 4/4X 48 x 36 x 16				
BY	DATE	MANUFACTURING TOLERANCES TO BE IN ACCORDANCE WITH ASCO PROCEDURE MP-1-003. FOR PLASTIC PARTS SEE MP-1-035		ASSEM. REF. NO.	COMPUTER GENERATED DRAWING			
CHECKED	RN	5/1/09	PROPERTY OF ASCO POWER TECHNOLOGIES. USE PERMITTED FOR OUR WORK ONLY. ALL RIGHTS OF DESIGN OR INVENTION ARE RESERVED.		SCALE	3/32" = 1"	SIZE	DS
PROJECT APPROVAL			DWG. NO.		867467-006			
FINAL APPROVAL			DRAWING G		REV. 1			
ASCO® ASCO POWER TECHNOLOGIES, L.P. FLORHAM PARK, NEW JERSEY 07932 U.S.A.				ECN NO.	270195	SHEET 1 OF 1		