

GENERAL NOTES

1. WALL MOUNTED ENCLOSURE.
TYPE 3R/12 CONSTRUCTED FROM CODE GAUGE STEEL.
FINISH: ANSI 61 GRAY POLYESTER SEMI GLOSS ELECTROSTATIC POWDER.
2. EXTERIOR DOORS HAVE PADLOCKABLE HASP & STAPLE.
3. DESIGNED FOR FRONT ACCESS.
4. RECOMMENDED CLEARANCES: FRONT: 36" [914.40mm] REAR: NONE

SPECIFICATIONS

1. SYSTEM RATING: 70 AMPS, 80 AMPS, 90 AMPS, 100 AMPS, 110 AMPS, 125 AMPS, 150 AMPS, 175 AMPS, 200 AMPS 3Ø, 4W OR 1Ø, 3W.
SHORT CIRCUIT RATING: SOURCE 1(NORMAL): 85,000 @ 480V
SHORT CIRCUIT RATING: SOURCE 2(EMERGENCY): 10,000 @ 480V
SOURCE 2(EMERGENCY) SHORT CIRCUIT RATING MAY BE INCREASED BY UTILIZING A SPECIFIC OVERCURRENT PROTECTIVE DEVICE AS LISTED ON THE TRANSFER SWITCH.
2. ALL BUS IS SILVER-PLATED COPPER, BASED ON 1000A PER SQ. IN. DENSITY.
3. GROUND: 20% RATED.
4. NEUTRAL: 100% RATED.
5. APPLICABLE LABEL(S): U.L. 1008, SUITABLE ONLY FOR USE AS SERVICE ENTRANCE EQUIPMENT..

TRANSFER SWITCH

1. D FRAME AUTOMATIC TRANSFER SWITCH.
2. TRANSFER SWITCH RATING: 70 AMPS, 100 AMPS, 150 AMPS, 200 AMPS, 230 AMPS..
SHORT CIRCUIT RATING WHEN PROTECTED BY A CIRCUIT BREAKER
TIME RESPONSE, MAXIMUM 0.025 SECONDS: 10,000 RMS SYM @ 480V.
SPECIFIC BREAKER RATING: 85,000 RMS SYM @ 480V (70A - 200A).
3. A FULL RATED NEUTRAL CONNECTION FOR EACH SOURCE AND THE LOAD IS OPTIONAL.
WHEN PROVIDED IT IS IN ONE OF THE FOLLOWING FORMATS.
A. SOLID NEUTRAL
B. SWITCHED NEUTRAL POLE
C. OVERLAPPING NEUTRAL POLE
4. UL 1008 OR CSA C22.2 NO.178.1

TERMINATIONS 70-150 AMPS

1. SUPPLIED WITH MECHANICAL (SCREW TYPE) LUGS FOR CU/AL CABLE.
SOURCE 1(NORMAL): (1) #4-3/0 [25-95mm²] PER PHASE & NEUTRAL
LOAD: (1) #14 - 4/0 [2.5-120mm²] PER PHASE & NEUTRAL
SOURCE 2(EMERGENCY): (1) #14 - 4/0 [2.5-120mm²] PER PHASE & NEUTRAL
GROUND: (3) #14 - 1/0 [2.5-50mm²]
- A. SUITABLE WIRE BENDING SPACE IS PROVIDED AS PER NEC.

TERMINATIONS 175 AMPS

1. SUPPLIED WITH MECHANICAL (SCREW TYPE) LUGS FOR CU/AL CABLE.
SOURCE 1(NORMAL): (1) #4 TO 4/0 [25-120mm²] AWG PER PHASE & NEUTRAL
LOAD: (1) #14 - 4/0 [2.5-120mm²] PER PHASE & NEUTRAL
SOURCE 2(EMERGENCY): (1) #14 - 4/0 [2.5-120mm²] PER PHASE & NEUTRAL
GROUND: (3) #6 - 250MCM [16-120mm²]
- A. SUITABLE WIRE BENDING SPACE IS PROVIDED AS PER NEC.

TERMINATIONS 200-225 AMPS

1. SUPPLIED WITH MECHANICAL (SCREW TYPE) LUGS FOR CU/AL CABLE.
SOURCE 1(NORMAL): (1) #3 TO 350 [25-185mm²] MCM PER PHASE & NEUTRAL
LOAD: (1) #14 - 4/0 [2.5-120mm²] PER PHASE & NEUTRAL
SOURCE 2(EMERGENCY): (1) #14 - 4/0 [2.5-120mm²] PER PHASE & NEUTRAL
GROUND: (3) #6 - 250MCM [16-120mm²]
- A. SUITABLE WIRE BENDING SPACE IS PROVIDED AS PER NEC.

CIRCUIT BREAKER: ITEM 52U

1. SQUARE D, TYPE HL, 80% RATED MOLDED CASE CIRCUIT BREAKER, 150AF/70AT, 150AF/80AT, 150AF/90AT, 150AF/100AT, 150AF/110AT, 150AF/125AT, 150AF/150AT, WITH THERMAL MAGNETIC TRIP.
SHORT CIRCUIT RATING: AIC 100,000 RMS SYM @ 480V.
2. U.L. 489
3. OPTIONAL 100% RATED BREAKER MAY BE SUPPLIED.

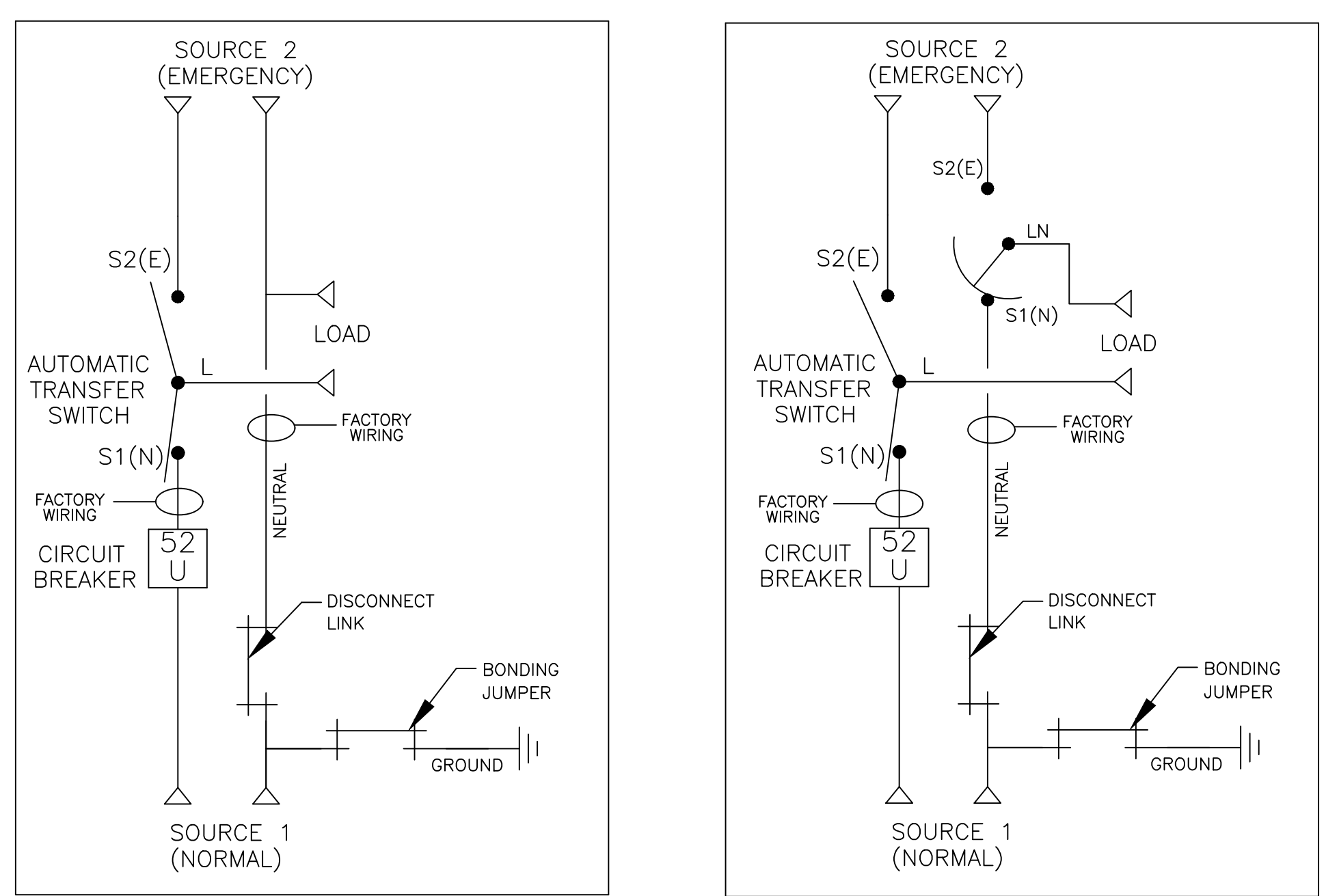
CIRCUIT BREAKER: ITEM 52U

1. SQUARE D, TYPE JL, 80% RATED MOLDED CASE CIRCUIT BREAKER, 250AF/175AT, 250AF/200AT, 250AF/225AT, WITH THERMAL MAGNETIC TRIP.
SHORT CIRCUIT RATING: AIC 100,000 RMS SYM @ 480V.
2. U.L. 489
3. OPTIONAL 100% RATED BREAKER MAY BE SUPPLIED.

WIRING/CABLING

1. USE 90°C MINIMUM CU/AL WIRE FOR POWER CABLES.
2. WIRE SIZE TO BE BASED ON AMPACITY OF 75°C WIRE.
3. USE 60°C MINIMUM CU WIRE FOR CONTROLS.

ONE LINE DIAGRAMS



PROJECT NAME:		305356	RP	MCH	09-11-23
OUTLINE		MOUNTING			
DAUS 70-225A HL/JL SERVICE ENTRANCE BREAKER ON SOURCE 1(NORM)					
TYPE 3R/12 48 X 36 X 16					
BY	DATE	MANUFACTURING TOLERANCES TO BE IN ACCORDANCE WITH ASCO PROCEDURE MP-1-003. FOR PLASTIC PARTS SEE MP-1-055		ASSEM. REF. NO.	COMPUTER GENERATED DRAWING
DRWN BY	NIK	05/05/23			SCALE 3/32" = 1" SIZE DS
CHECKED	MCH	PROPERTY OF ASCO POWER TECHNOLOGIES. USE PERMITTED FOR OUR WORK ONLY. ALL RIGHTS OF DESIGN OR INVENTION ARE RESERVED.		DWG. NO.	1522770-003
PROJECT APPROVAL			ASCO POWER TECHNOLOGIES, LP.		DRAWING REV. -
FINAL APPROVAL			FLORHAM PARK, NEW JERSEY 07932 U.S.A.		ECN NO. 305356