

GENERAL NOTES

- TYPE 4/4X WALL MOUNTED ENCLOSURE.
- DOOR HINGED ON LEFT SIDE. STAINLESS STEEL CLAMPS ON THREE SIDES, SEAL GASKETED DOOR. HASP AND STAPLE FOR PADLOCKING.
- FINISH: TYPE 4: ANSI 61 GRAY POLYESTER SEMI GLOSS ELECTROSTATIC POWDER.
TYPE 4X (P): CONSTRUCTED OF CODE GAUGE TYPE 304 STAINLESS STEEL.
TYPE 4X (V): CONSTRUCTED OF CODE GAUGE TYPE 316 STAINLESS STEEL.
- DOOR HAS KEY LOCKABLE HANDLE AND CAPTIVE SCREWS AS REQUIRED.
- FINISH: ANSI 61 GRAY POLYESTER SEMI GLOSS ELECTROSTATIC POWDER.
- DESIGNED FOR FRONT ACCESS ONLY.
- RECOMMENDED CLEARANCES:
FRONT: 36 INCHES
- FOR SPECIFIED TRANSFER SWITCH, REFER TO OPERATOR'S MANUAL PROVIDED WITH UNIT.

SPECIFICATIONS

- SYSTEM RATING: 70 AMPS, 80 AMPS, 90 AMPS, 100 AMPS, 110 AMPS, 125 AMPS, 150 AMPS, 175 AMPS, 200 AMPS, 225 AMPS 3φ, 4W OR 1φ, 3W.
SHORT CIRCUIT RATING: NORMAL: 85,000 @ 480V
SHORT CIRCUIT RATING: EMERGENCY: 10,000 @ 480V
- ALL BUS IS SILVER-PLATED COPPER, BASED ON 1000A PER SQ. IN. DENSITY.
- GROUND: 20% RATED.
- NEUTRAL: 100% RATED.
- APPLICABLE LABEL(S): U.L. 1008.

TRANSFER SWITCH

- D FRAME AUTOMATIC TRANSFER SWITCH.
- TRANSFER SWITCH RATING: 70 AMPS, 100 AMPS, 150 AMPS, 200 AMPS, 230 AMPS.
SHORT CIRCUIT RATING WHEN PROTECTED BY A CIRCUIT BREAKER
TIME RESPONSE, MAXIMUM 0.025 SECONDS: 10,000 RMS SYM @ 480V.
SPECIFIC BREAKER RATING: 85,000 RMS SYM @ 480V (70A - 230A).
- A FULL RATED NEUTRAL CONNECTION FOR EACH SOURCE AND THE LOAD IS OPTIONAL. WHEN PROVIDED IT IS IN ONE OF THE FOLLOWING FORMATS.
A. SOLID NEUTRAL
B. SWITCHED NEUTRAL POLE
C. OVERLAPPING NEUTRAL POLE
- UL 1008

TERMINATIONS 70-150 AMPS

- SUPPLIED WITH MECHANICAL (SCREW TYPE) LUGS FOR CU/AL CABLE.
NORMAL: (1) #14 TO 3/0 PER PHASE & NEUTRAL
LOAD: (1) #14 - 4/0 PER PHASE & NEUTRAL
EMERGENCY: (1) #14 - 4/0 PER PHASE & NEUTRAL
GROUND: (3) #14 - 1/0
- SUITABLE WIRE BENDING SPACE IS PROVIDED AS PER NEC.

TERMINATIONS 175 AMPS

- SUPPLIED WITH MECHANICAL (SCREW TYPE) LUGS FOR CU/AL CABLE.
NORMAL: (1) #4 TO 4/0 AWG PER PHASE & NEUTRAL
LOAD: (1) #14 - 4/0 PER PHASE & NEUTRAL
EMERGENCY: (1) #14 - 4/0 PER PHASE & NEUTRAL
GROUND: (3) #6 - 250MCM
- SUITABLE WIRE BENDING SPACE IS PROVIDED AS PER NEC.

TERMINATIONS 200-225 AMPS

- SUPPLIED WITH MECHANICAL (SCREW TYPE) LUGS FOR CU/AL CABLE.
NORMAL: (1) #3 TO 350 MCM PER PHASE & NEUTRAL
LOAD: (1) #14 - 4/0 PER PHASE & NEUTRAL
EMERGENCY: (1) #14 - 4/0 PER PHASE & NEUTRAL
GROUND: (3) #6 - 250MCM
- SUITABLE WIRE BENDING SPACE IS PROVIDED AS PER NEC.

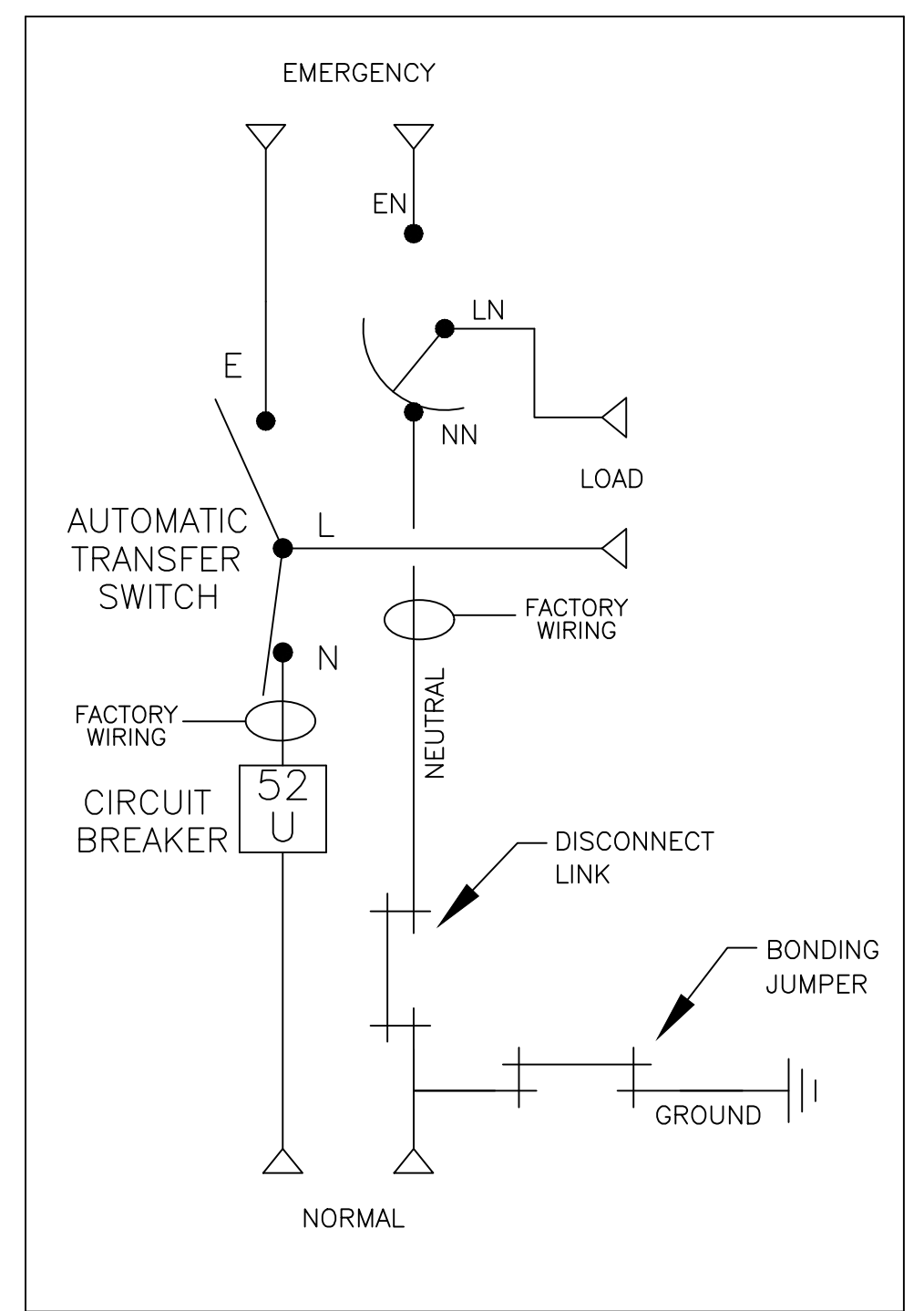
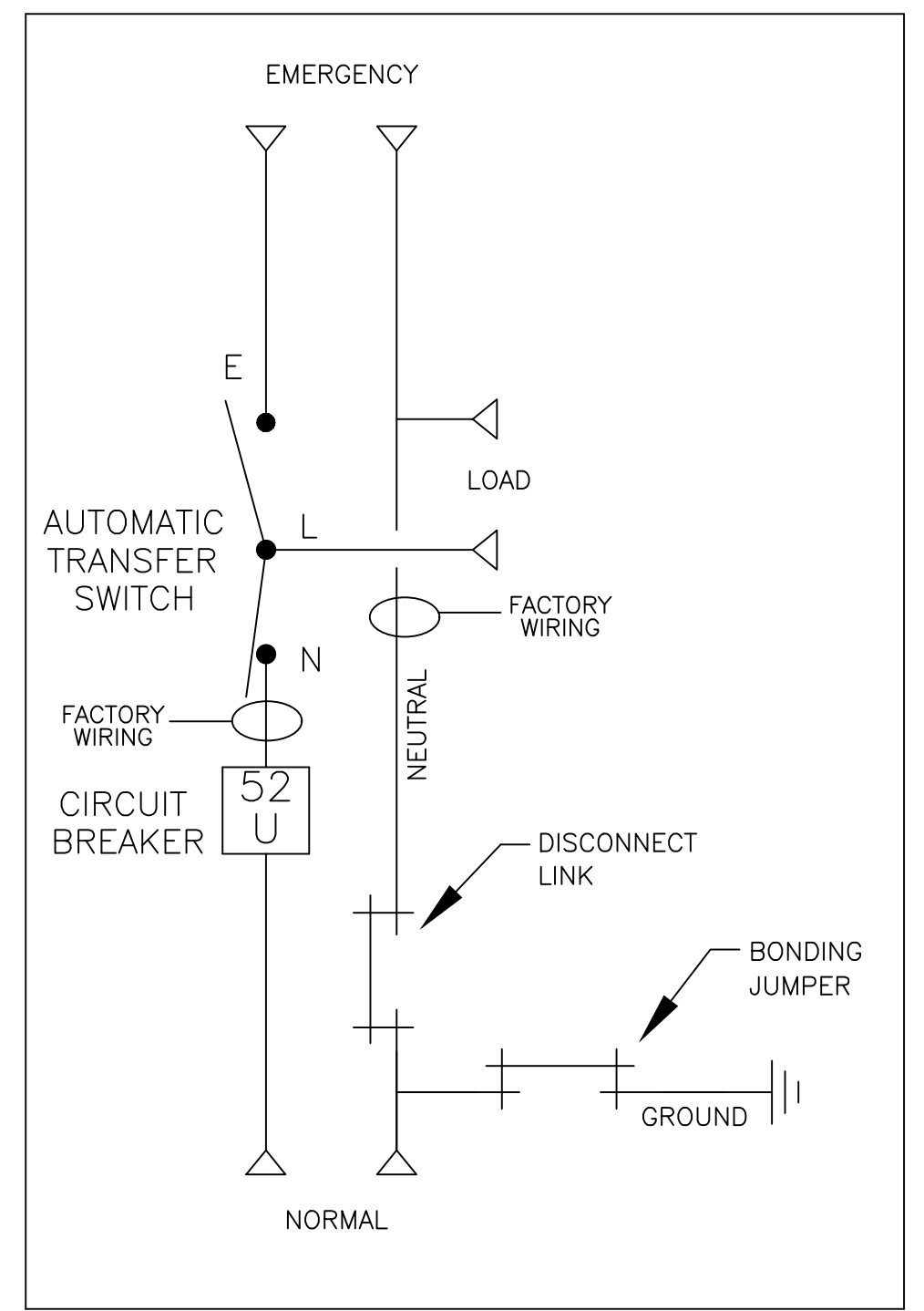
CIRCUIT BREAKER: ITEM 52U

- SQUARE D, TYPE HL, 80% RATED MOLDED CASE CIRCUIT BREAKER, 150AF/70AT, 150AF/80AT, 150AF/90AT, 150AF/100AT, 150AF/110AT, 150AF/125AT, 150AF/150AT, WITH THERMAL MAGNETIC TRIP.
SHORT CIRCUIT RATING: AIC 100,000 RMS SYM @ 480V.
- U.L. 489
- OPTIONAL 100% RATED BREAKER MAY BE SUPPLIED.

CIRCUIT BREAKER: ITEM 52U

- SQUARE D, TYPE JL, 80% RATED MOLDED CASE CIRCUIT BREAKER, 250AF/175AT, 250AF/200AT, 250AF/225AT, WITH THERMAL MAGNETIC TRIP.
SHORT CIRCUIT RATING: AIC 100,000 RMS SYM @ 480V.
- U.L. 489
- OPTIONAL 100% RATED BREAKER MAY BE SUPPLIED.

ONE LINE DIAGRAMS



(WITH SOLID NEUTRAL)

(WITH SWITCHED/OVERLAPPING NEUTRAL)

PROJECT NAME:		303213	YK	MCH	04/19/23
REV. TO SHEET	ECN NO.	BY	APP.	DATE	
OUTLINE		MOUNTING			
DAUS 70A - 225A HL/JL NORMAL SE BREAKER.					
TYPE 4/4X 48 x 36 x 16					
BY	DATE	MANUFACTURING TOLERANCES TO BE IN ACCORDANCE WITH ASCO PROCEDURE MP-1-003. FOR PLASTIC PARTS SEE MP-1-055		ASSEM. REF. NO.	
CHECKED	MCH	PROPERTY OF ASCO POWER TECHNOLOGIES. USE PERMITTED FOR OUR WORK ONLY. ALL RIGHTS OF DESIGN OR INVENTION ARE RESERVED.		COMPUTER GENERATED DRAWING	
PROJECT APPROVAL		SCALE 3/32" = 1" SIZE DS		DWG. NO. 1522770-002	
FINAL APPROVAL		ASCO POWER TECHNOLOGIES, L.P. FLORHAM PARK, NEW JERSEY 07932 U.S.A.		DRAWING REV. ECN 303213 SHEET 1 OF 1	