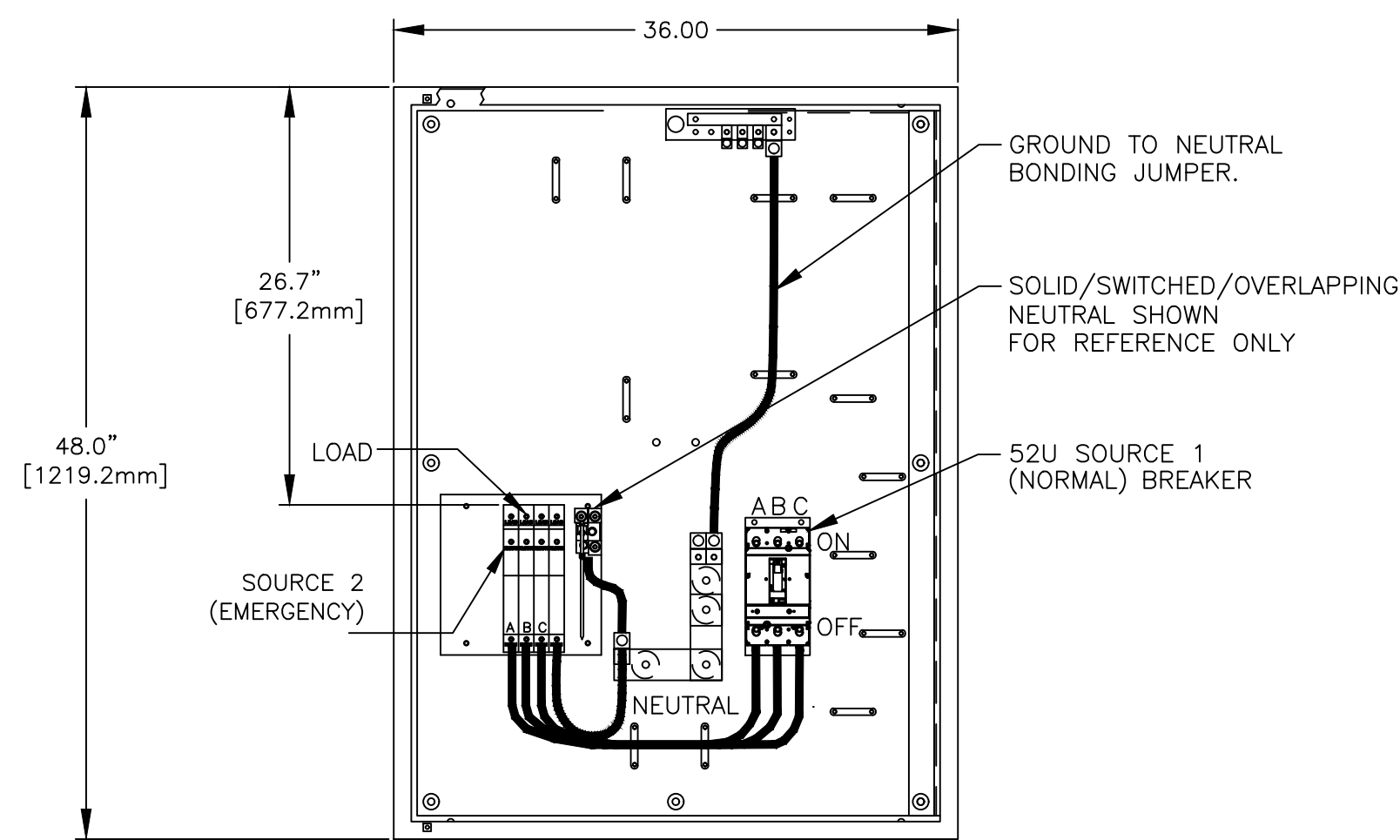
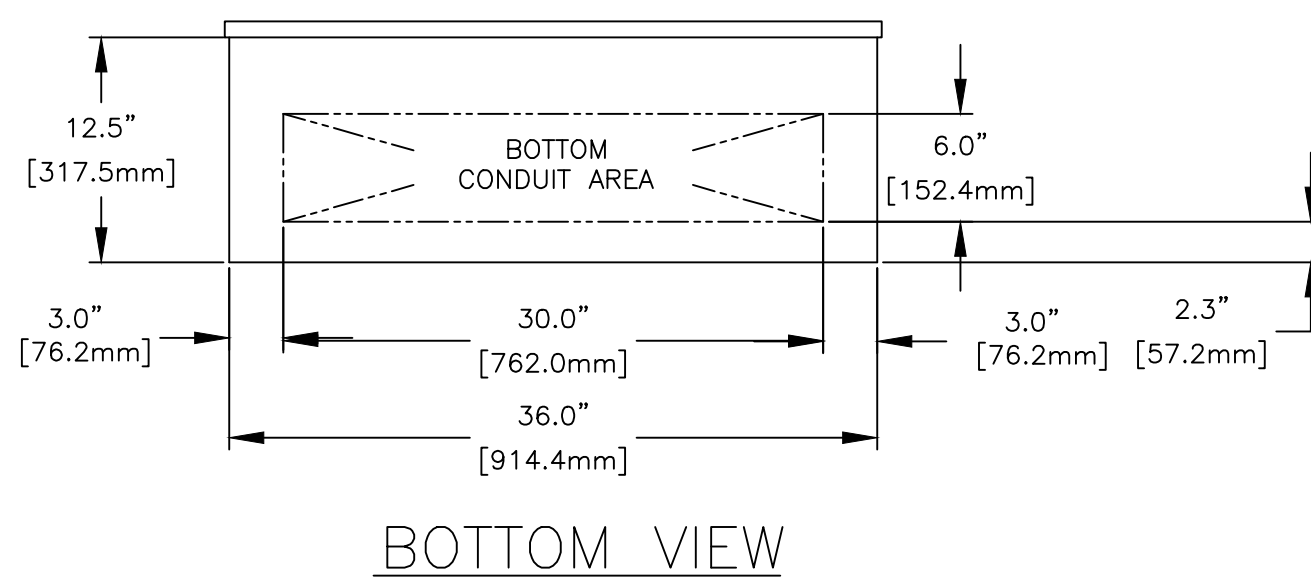


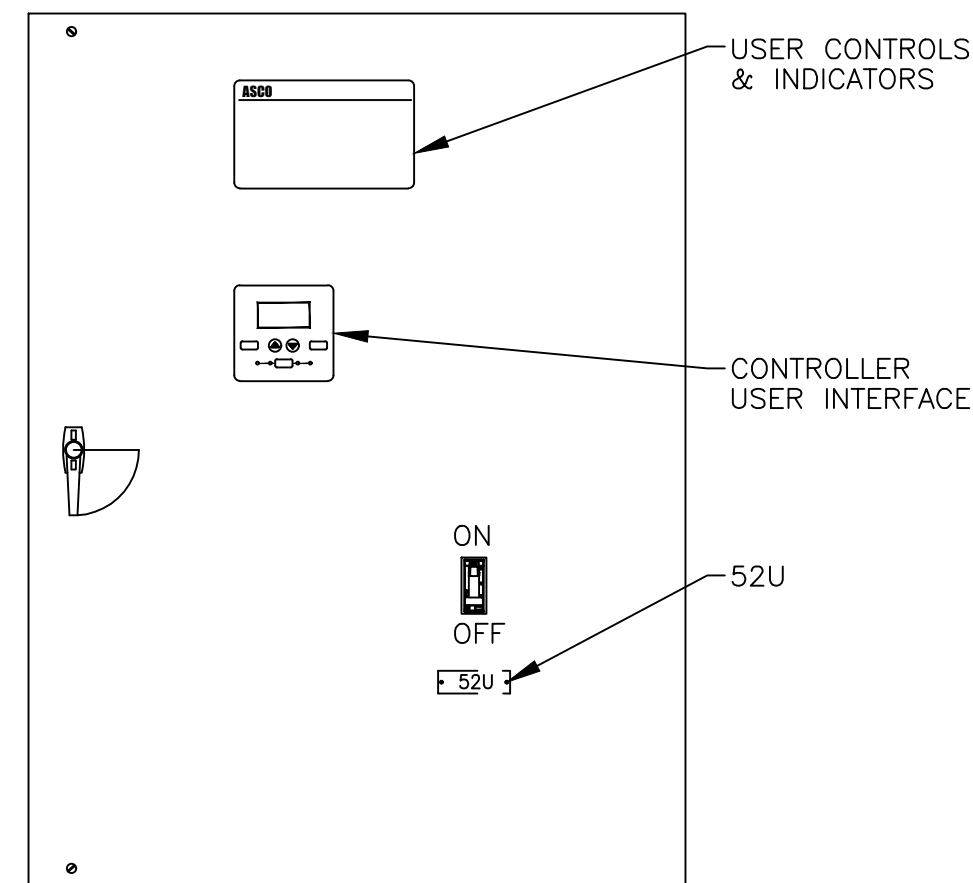
TOP VIEW



FRONT VIEW WITHOUT DOOR

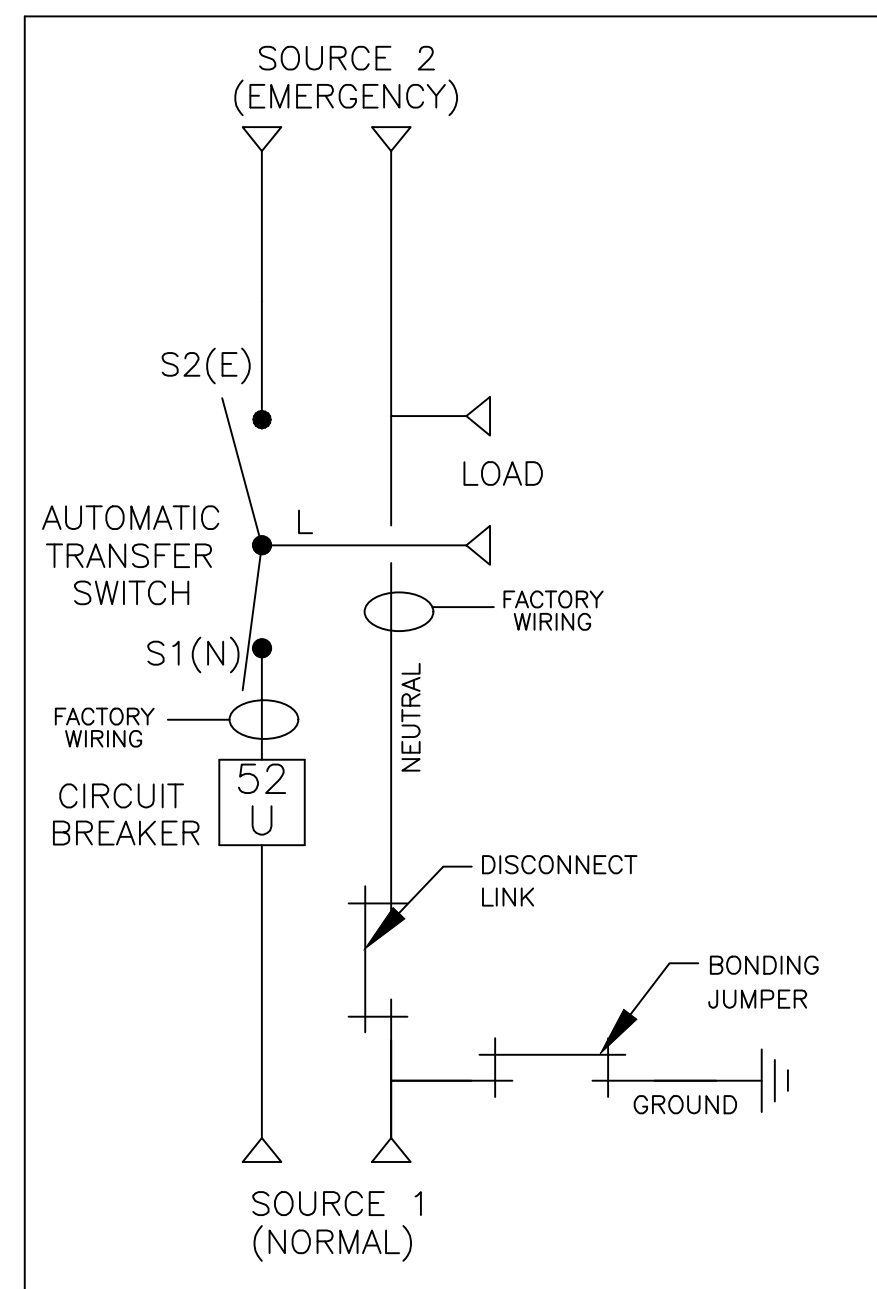


BOTTOM VIEW

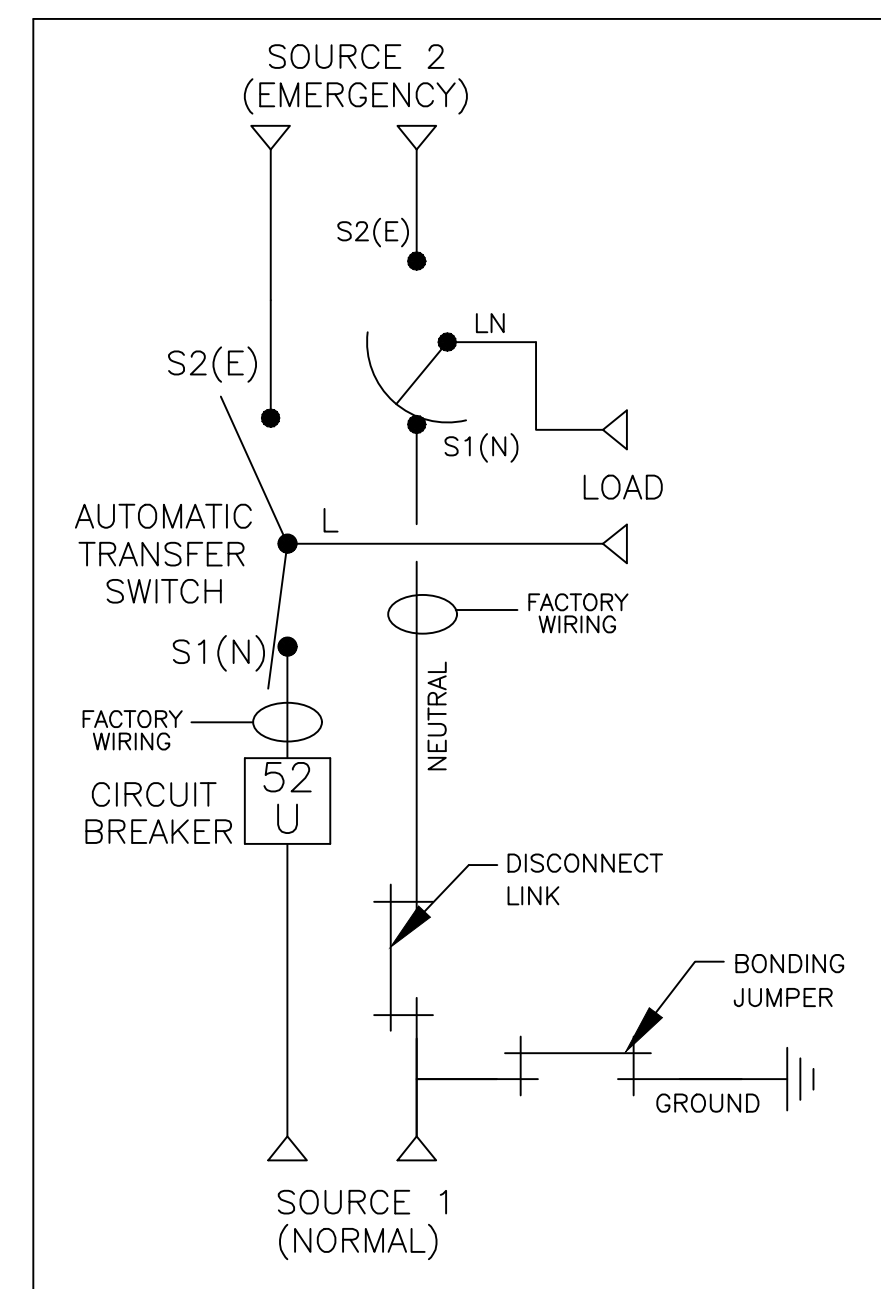


FRONT VIEW

ONE LINE DIAGRAMS



(WITH SOLID NEUTRAL)



(WITH SWITCHED/OVERLAPPING NEUTRAL)

GENERAL NOTES

- TYPE 1 WALL MOUNTED ENCLOSURE.
- DOOR HAS KEY LOCKABLE HANDLE AND CAPTIVE SCREWS AS REQUIRED.
- FINISH: ANSI 61 GRAY POLYESTER SEMI GLOSS ELECTROSTATIC POWDER.
- DESIGNED FOR FRONT ACCESS ONLY.
- RECOMMENDED CLEARANCES: FRONT: 38" [965mm] REAR: NONE
- FOR SPECIFIED TRANSFER SWITCH, REFER TO OPERATOR'S MANUAL PROVIDED WITH UNIT.
- APPROXIMATE SHIPPING WEIGHT: 230 LB [104 KG].

SPECIFICATIONS

- SYSTEM RATING: 70 AMPS, 80 AMPS, 90 AMPS, 100 AMPS, 110 AMPS, 125 AMPS, 150 AMPS, 175 AMPS, 200 AMPS, 225 AMPS 3Ø, 4W OR 1Ø, 3W.
SHORT CIRCUIT RATING: SOURCE 1(NORMAL): 85,000 @ 480V
SHORT CIRCUIT RATING: SOURCE 2(EMERGENCY): 10,000 @ 480V
- ALL BUS IS SILVER-PLATED COPPER, BASED ON 1000A PER SQ. IN. DENSITY.
- GROUND: 20% RATED.
- NEUTRAL: 100% RATED.
- APPLICABLE LABEL(S): U.L. 1008, SUITABLE ONLY FOR USE AS SERVICE ENTRANCE EQUIPMENT.

TRANSFER SWITCH

- D FRAME AUTOMATIC TRANSFER SWITCH.
- TRANSFER SWITCH RATING: 70 AMPS, 100 AMPS, 150 AMPS, 200 AMPS, 230 AMPS.
SHORT CIRCUIT RATING WHEN PROTECTED BY A CIRCUIT BREAKER
TIME RESPONSE, MAXIMUM 0.025 SECONDS: 10,000 RMS SYM @ 480V.
SPECIFIC BREAKER RATING: 85,000 RMS SYM @ 480V (70A - 230A).
- A FULL RATED NEUTRAL CONNECTION FOR EACH SOURCE AND THE LOAD IS OPTIONAL. WHEN PROVIDED IT IS IN ONE OF THE FOLLOWING FORMATS.
 - SOLID NEUTRAL
 - SWITCHED NEUTRAL POLE
 - OVERLAPPING NEUTRAL POLE
- UL 1008 OR CSA C22.2 NO.178.1

TERMINATIONS 70-150 AMPS

- SUPPLIED WITH MECHANICAL (SCREW TYPE) LUGS FOR CU/AL CABLE.
SOURCE 1(NORMAL): (1) #4 TO 3/0 PER PHASE & NEUTRAL
LOAD: (1) #14 - 4/0 PER PHASE & NEUTRAL
SOURCE 2(EMERGENCY): (1) #14 - 4/0 PER PHASE & NEUTRAL
GROUND: (3) #14 - 1/0
- A. SUITABLE WIRE BENDING SPACE IS PROVIDED AS PER NEC.

TERMINATIONS 175 AMPS

- SUPPLIED WITH MECHANICAL (SCREW TYPE) LUGS FOR CU/AL CABLE.
SOURCE 1(NORMAL): (1) #4 TO 4/0 AWG PER PHASE & NEUTRAL
LOAD: (1) #14 - 4/0 PER PHASE & NEUTRAL
SOURCE 2(EMERGENCY): (1) #14 - 4/0 PER PHASE & NEUTRAL
GROUND: (3) #14 - 1/0
- A. SUITABLE WIRE BENDING SPACE IS PROVIDED AS PER NEC.

TERMINATIONS 200-225 AMPS

- SUPPLIED WITH MECHANICAL (SCREW TYPE) LUGS FOR CU/AL CABLE.
SOURCE 1(NORMAL): (1) 3/0 TO 250 MCM PER PHASE & NEUTRAL
LOAD: (1) #14 - 4/0 PER PHASE & NEUTRAL
SOURCE 2(EMERGENCY): (1) #14 - 4/0 PER PHASE & NEUTRAL
GROUND: (3) #14 - 1/0
- A. SUITABLE WIRE BENDING SPACE IS PROVIDED AS PER NEC.

CIRCUIT BREAKER: ITEM 52U

- SQUARE D, TYPE HL, 80% RATED MOLDED CASE CIRCUIT BREAKER, 150AF/70AT, 150AF/80AT, 150AF/90AT, 150AF/100AT, 150AF/110AT, 150AF/125AT, 150AF/150AT, WITH THERMAL MAGNETIC TRIP.
SHORT CIRCUIT RATING: AIC 100,000 RMS SYM @ 480V.
- U.L. 489
- OPTIONAL 100% RATED BREAKER MAY BE SUPPLIED.

CIRCUIT BREAKER: ITEM 52U

- SQUARE D, TYPE JL, 80% RATED MOLDED CASE CIRCUIT BREAKER, 250AF/175AT, 250AF/200AT, 250AF/225AT, WITH THERMAL MAGNETIC TRIP.
SHORT CIRCUIT RATING: AIC 100,000 RMS SYM @ 480V.
- U.L. 489
- OPTIONAL 100% RATED BREAKER MAY BE SUPPLIED.

WIRING/CABLING

- USE 90°C MINIMUM CU/AL WIRE FOR POWER CABLES.
- WIRE SIZE TO BE BASED ON AMPACITY OF 75°C WIRE.
- USE 60°C MINIMUM CU WIRE FOR CONTROLS.

SEE TABLE 1 FOR METRIC TERMINATIONS

TABLE 1	
#14 AWG	2.5mm ²
#6 AWG	16mm ²
#4 AWG	25mm ²
1/0 AWG	50mm ²
2/0 AWG	70mm ²
3/0 AWG	95mm ²
4/0 AWG	120mm ²
250 MCM	120mm ²
300 MCM	150mm ²
400 MCM	240mm ²
500 MCM	240mm ²
600 MCM	300mm ²
750 MCM	400mm ²

PROJECT NAME:		REV. TO SHEET	ECN NO.	BY	APP.	DATE
OUTLINE		MOUNTING				
DAUS 70 - 225A HL/JL NORMAL SERVICE ENTRANCE BREAKER						
TYPE 1 48 X 36 X 13						
DRAWN BY	BY	DATE	MANUFACTURING TOLERANCES TO BE IN ACCORDANCE WITH ASCO PROCEDURE MP-1-003. FOR PLASTIC PARTS SEE MP-1-055		ASSEM. REF. NO.	COMPUTER GENERATED DRAWING
CHECKED	MCH	04-13-23	PROPERTY OF ASCO POWER TECHNOLOGIES. USE PERMITTED FOR OUR WORK ONLY. ALL RIGHTS OF DESIGN OR INVENTION ARE RESERVED.			SCALE 3/32" = 1" SIZE DS
PROJECT APPROVAL			ASCO POWER TECHNOLOGIES, LP.			DWG. NO. 1522770-001
FINAL APPROVAL			FLORHAM PARK, NEW JERSEY 07932 U.S.A.			DRAWING A ECN NO. 305763 SHEET 1 OF 1