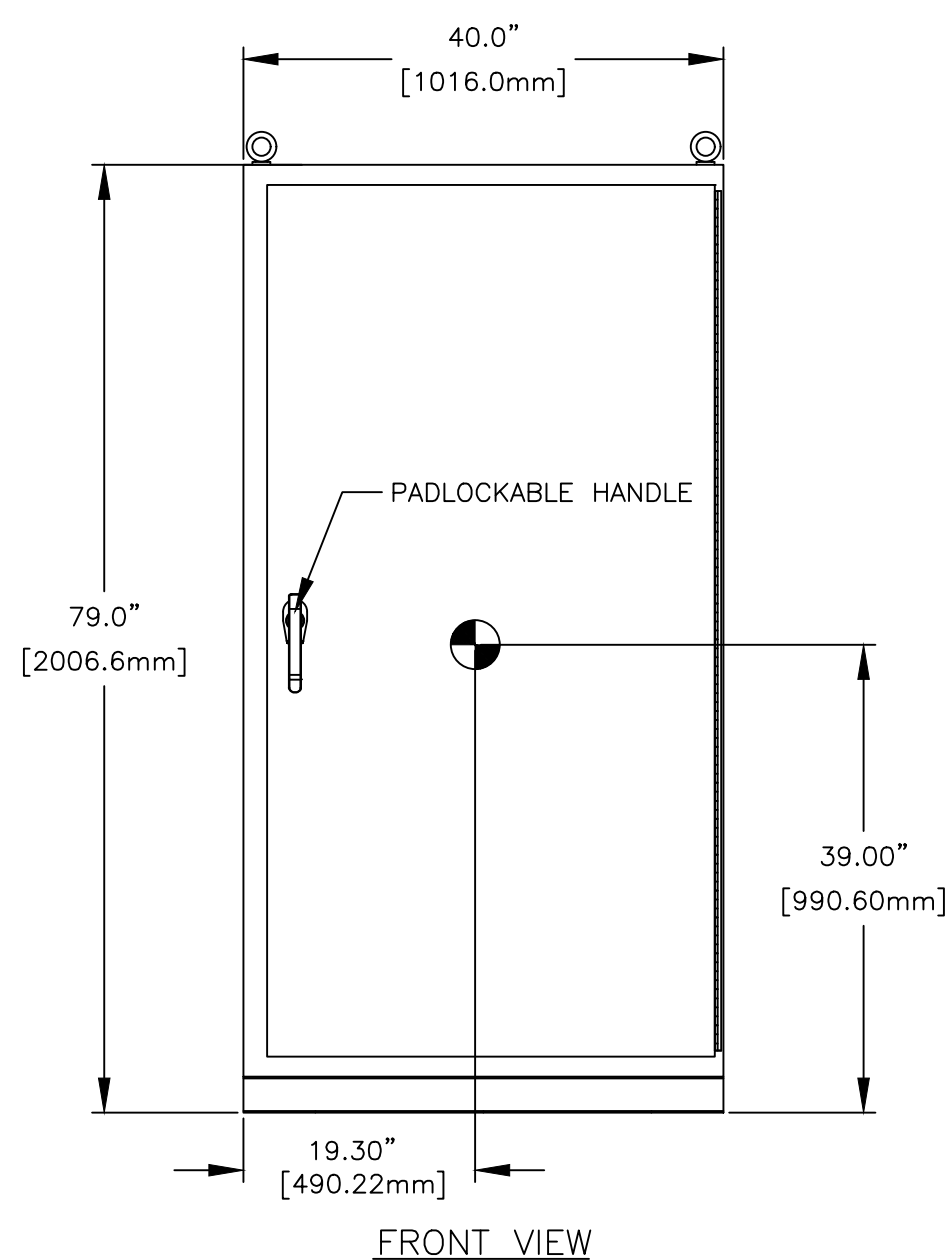
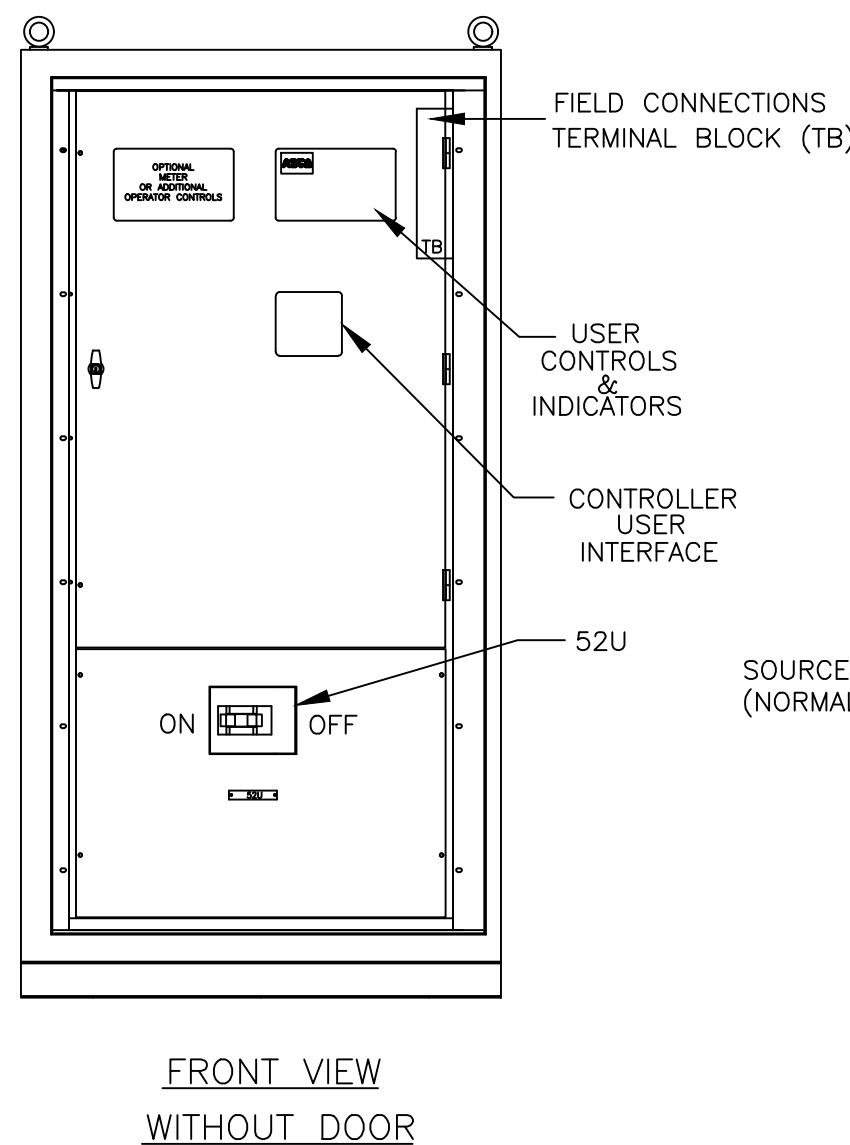


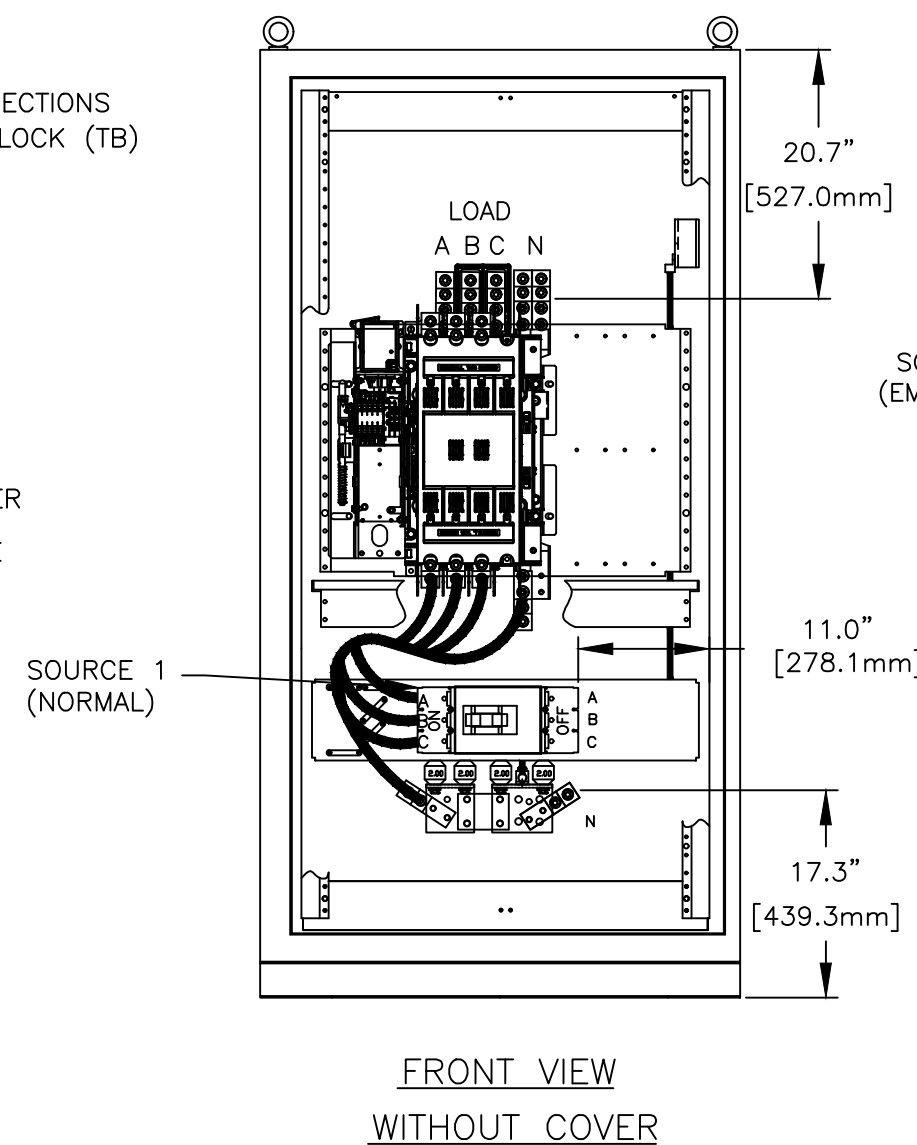
TOP VIEW



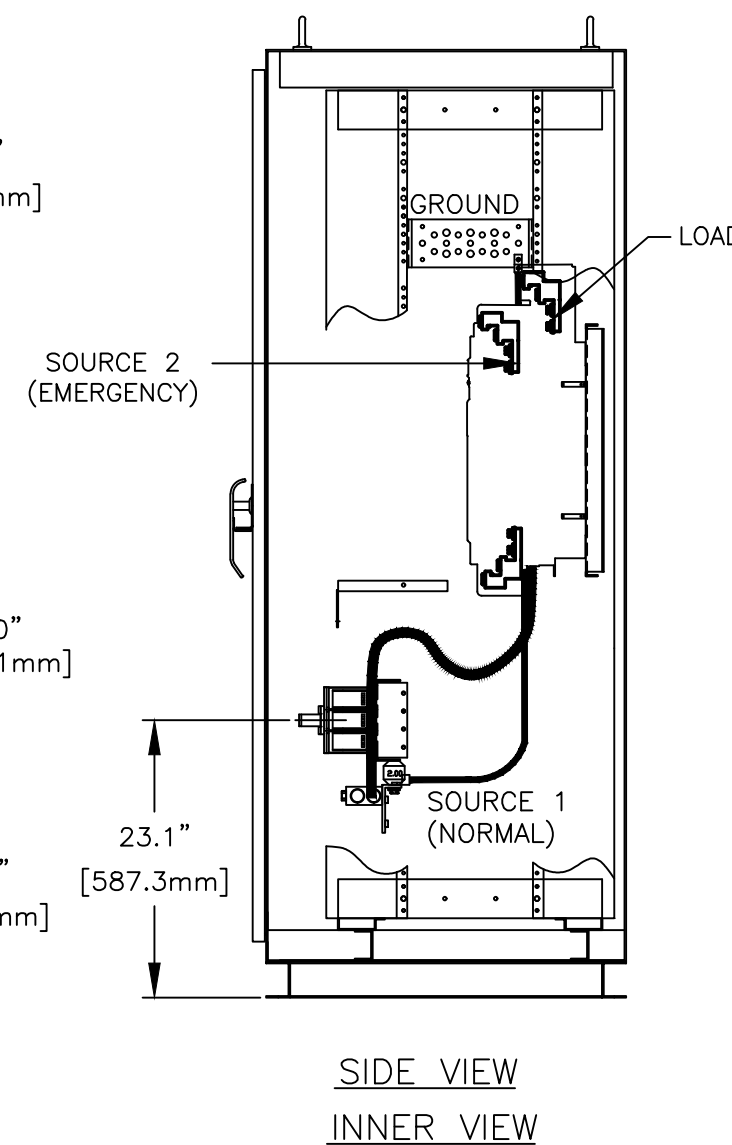
FRONT VIEW



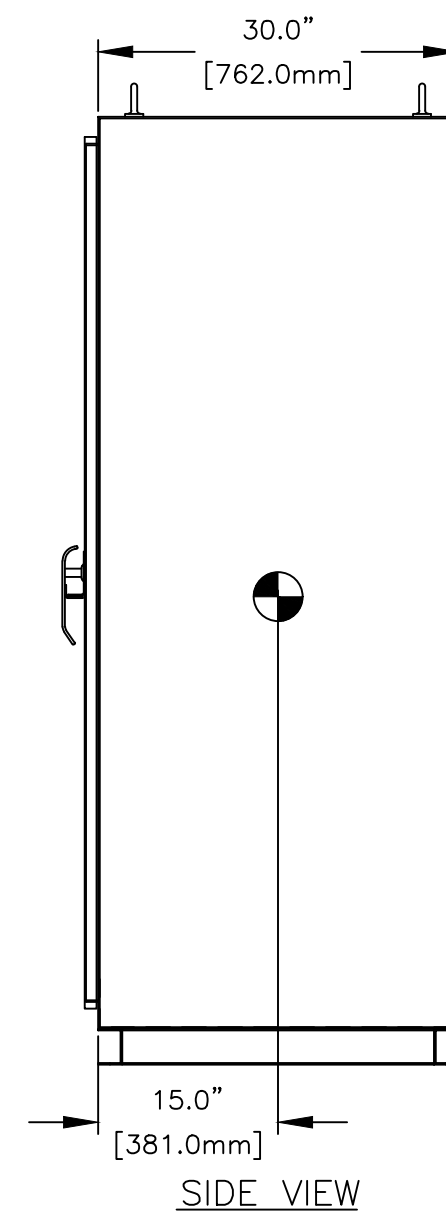
FRONT VIEW WITHOUT DOOR



FRONT VIEW WITHOUT COVER



SIDE VIEW INNER VIEW



SIDE VIEW

GENERAL NOTES

- FLOOR MOUNTED ENCLOSURE. TYPE 12 CONSTRUCTED FROM CODE GAUGE STEEL. FINISH: ANSI 61 GRAY POLYESTER SEMI GLOSS ELECTROSTATIC POWDER.
- EXTERIOR DOOR HAS A PADLOCKABLE HANDLE WITH 3 POINT LATCH.
- DESIGNED FOR FRONT ACCESS.
- RECOMMENDED CLEARANCES: FRONT: 38" [965mm] REAR: NONE
- CENTER OF GRAVITY
- APPROXIMATE WEIGHT: 1158 LBS [525 KG].

SYSTEM NOTES

- SYSTEM RATING: 600 AMPS.
SOURCE 1 (NORMAL) SHORT CIRCUIT RATING: 125,000 RMS SYM @ 240V
100,000 RMS SYM @ 480V
SOURCE 2 (EMERGENCY) SHORT CIRCUIT RATING: 65,000 RMS SYM @ 240V
42,000 RMS SYM @ 480V (SWITCHED AND SOLID NEUTRAL).
35,000 RMS SYM @ 480V (OVERLAPPING NEUTRAL).
SOURCE 2 (EMERGENCY) SHORT CIRCUIT RATING MAY BE INCREASED BY UTILIZING A SPECIFIC OVERCURRENT PROTECTIVE DEVICE AS LISTED ON THE TRANSFER SWITCH.
- ALL BUS IS SILVER-PLATED COPPER, BASED ON 1000A PER SQ. IN. DENSITY.
- GROUND: 20% RATED.
- NEUTRAL: 100% RATED.
- APPLICABLE LABEL(S): U.L. 1008, SUITABLE ONLY FOR USE AS SERVICE EQUIPMENT.

TRANSFER SWITCH

- J FRAME AUTOMATIC TRANSFER SWITCH.
- TRANSFER SWITCH RATING: 600 AMPS. SHORT CIRCUIT RATING WHEN PROTECTED BY A CIRCUIT BREAKER TIME RESPONSE, MAXIMUM 0.05 SECONDS: 42,000 RMS SYM @ 480V (SWITCHED AND SOLID NEUTRAL). 35,000 RMS SYM @ 480V (OVERLAPPING NEUTRAL).
- A FULL RATED NEUTRAL CONNECTION FOR EACH SOURCE AND THE LOAD IS OPTIONAL. WHEN PROVIDED IT IS IN ONE OF THE FOLLOWING FORMATS.
A. SOLID NEUTRAL
B. SWITCHED NEUTRAL POLE
C. OVERLAPPING NEUTRAL POLE (NOT AVAILABLE ON CLOSED OR DELAYED TRANSITION)
- UL 1008 OR CSA C22.2 NO.178.1

TERMINATIONS 600A

- SUPPLIED WITH MECHANICAL (SCREW TYPE) LUGS FOR CU/AL CABLE.
SOURCE 1 (NORMAL): (2) 3/0 - 500 MCM PER PHASE & NEUTRAL
LOAD: (2) 3/0 - 600MCM PER PHASE & NEUTRAL
SOURCE 2 (EMERGENCY): (2) 3/0 - 600MCM PER PHASE & NEUTRAL
GROUND: (6) 1/0 - 600MCM.
A. SUITABLE WIRE BENDING SPACE IS PROVIDED AS PER NEC.
- OPTIONAL LUGS MAY BE SUPPLIED.

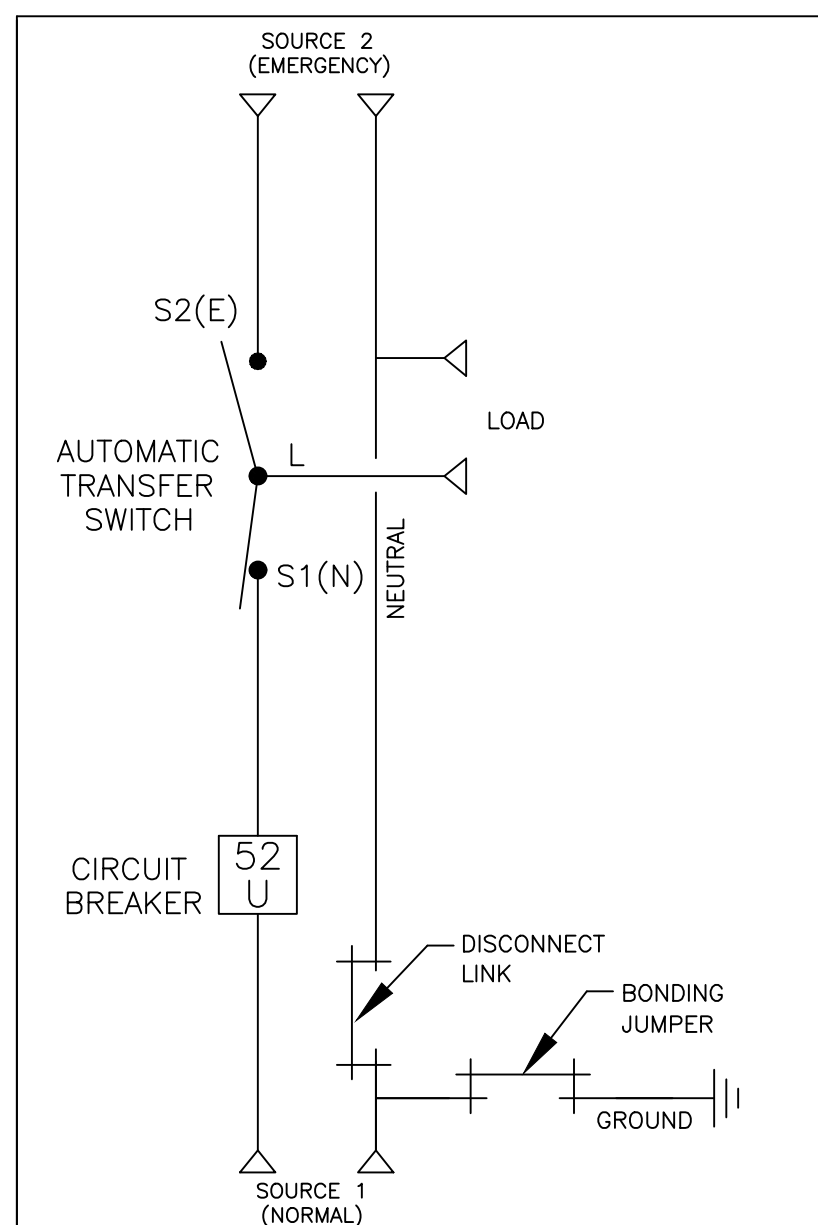
CIRCUIT BREAKER: ITEM 52U

- SQUARE "D" 80% RATED TYPE 'LLL', MOLDED CASE CIRCUIT BREAKER, 600AF/600AT MANUALLY OPERATED, ELECTRONIC TRIP UNIT WITH LONG AND INSTANTANEOUS TRIP SETTINGS. SHORT CIRCUIT RATING: AIC 100,000 RMS SYM @ 480V.
- NOT AVAILABLE AT 100% RATED
- U.L. 489

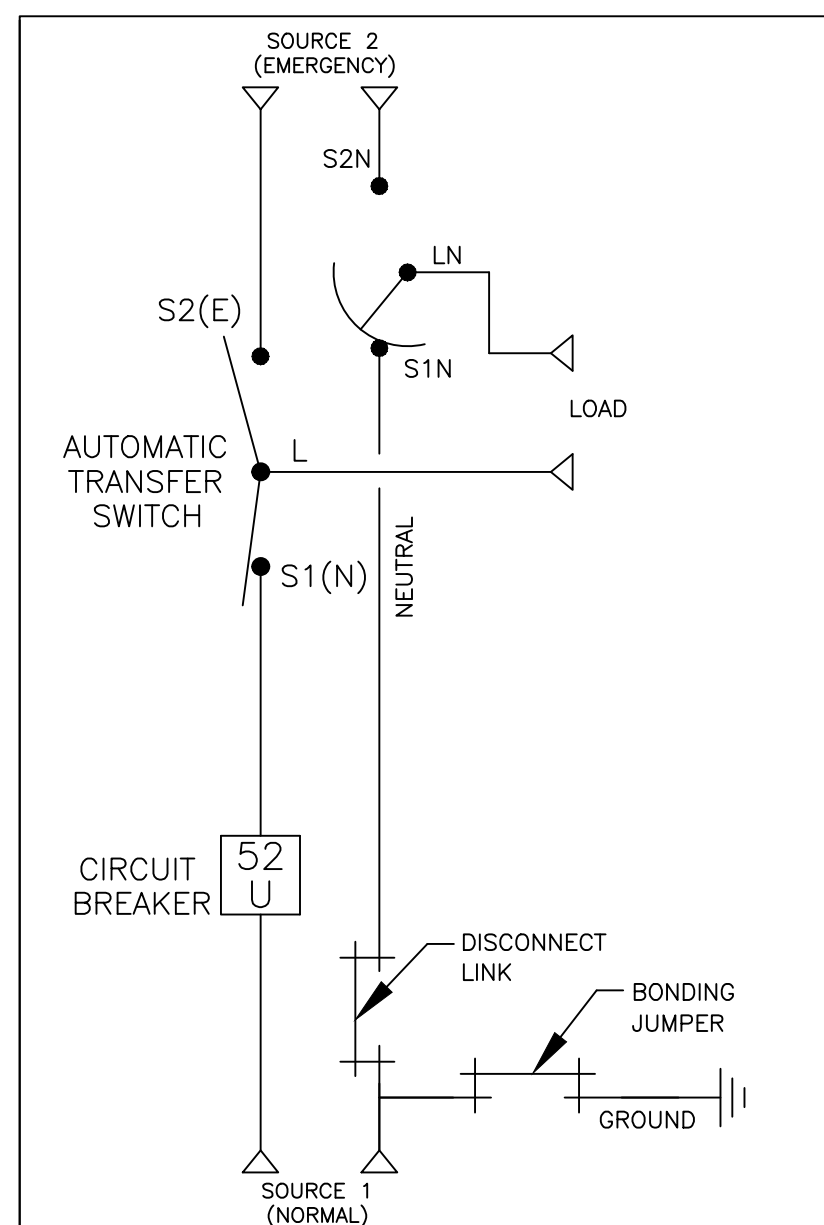
WIRING/CABLING

- USE 90°C MINIMUM CU/AL WIRE FOR POWER CABLES.
- WIRE SIZE TO BE BASED ON AMPACITY OF 75°C WIRE.
- USE 60°C MINIMUM CU WIRE FOR CONTROLS.

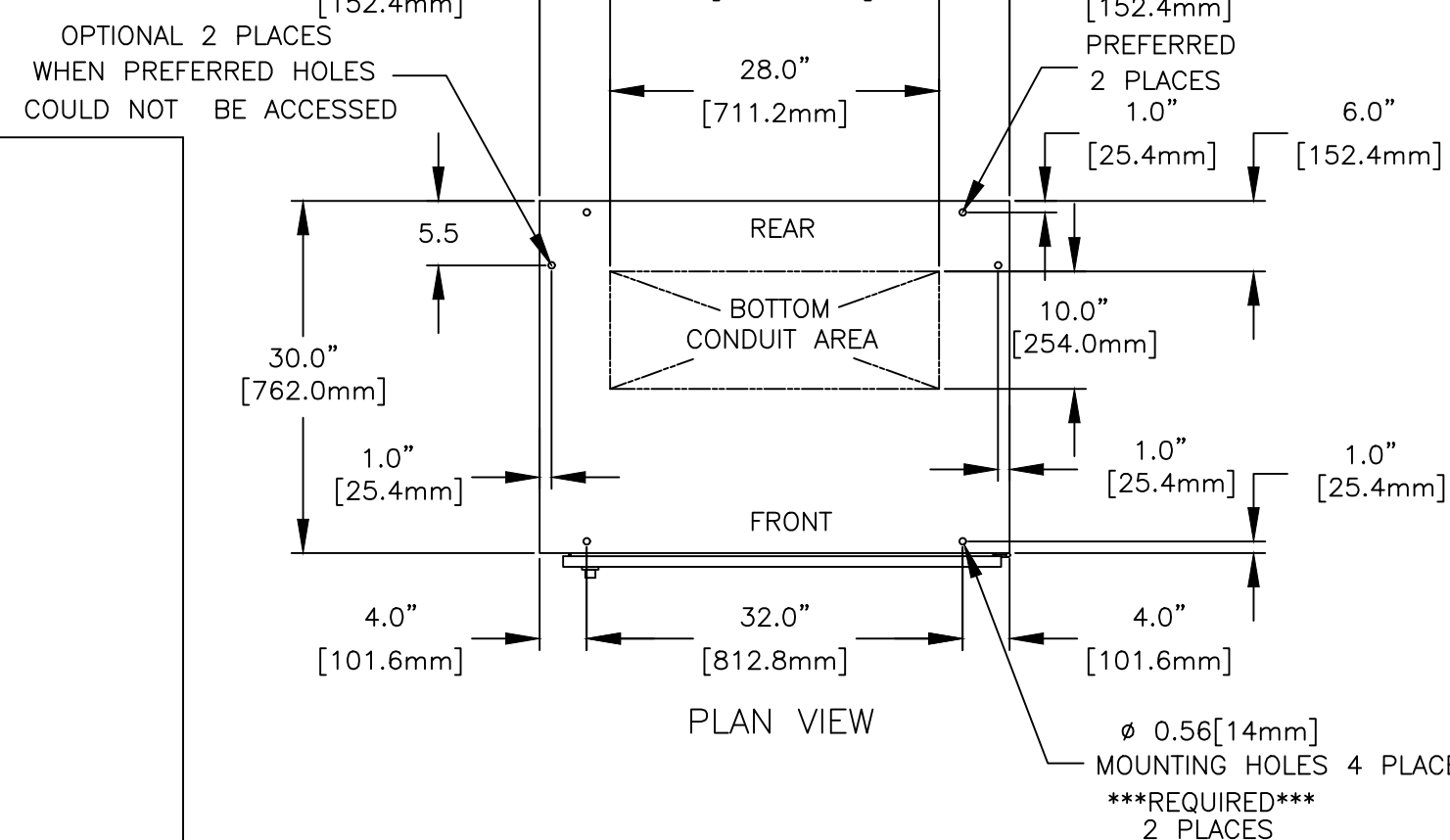
ONE LINE DIAGRAMS



(WITH SOLID NEUTRAL)



(WITH SWITCHED NEUTRAL)



PLAN VIEW

SEE TABLE 1 FOR METRIC TERMINATIONS

TABLE 1	
14 AWG	2.5mm ²
6 AWG	16mm ²
4 AWG	25mm ²
1/0 AWG	50mm ²
2/0 AWG	70mm ²
3/0 AWG	95mm ²
4/0 AWG	120mm ²
250 MCM	120mm ²
300 MCM	150mm ²
350 MCM	185mm ²
400 MCM	240mm ²
500 MCM	240mm ²
600 MCM	300mm ²
750 MCM	400mm ²

PROJECT NAME:		REV. TO SHEET	ECN NO.	BY	APP.	DATE
OUTLINE		MOUNTING				
JAUS 600A, 80% RATED LL SE BREAKER ON SOURCE 1 (NORMAL)						
TYPE 12, 79 X 40 X 30						
DRAWN BY	PG	DATE	MANUFACTURING TOLERANCES TO BE IN ACCORDANCE WITH ASCO PROCEDURE MP-1-003. FOR PLASTIC PARTS SEE MP-1-055	ASSEM. REF. NO.	COMPUTER GENERATED DRAWING	
CHECKED	MCH		PROPERTY OF ASCO POWER TECHNOLOGIES. USE PERMITTED FOR OUR WORK ONLY. ALL RIGHTS OF DESIGN OR INVENTION ARE RESERVED.		SCALE 1/16" = 1" SIZE	DS
PROJECT APPROVAL					805717-003	
FINAL APPROVAL					REV. A	ECN NO. 307158 SHEET 1 OF 1

ASCO POWER TECHNOLOGIES, LP. FLOHAM PARK, NEW JERSEY 07932 U.S.A.