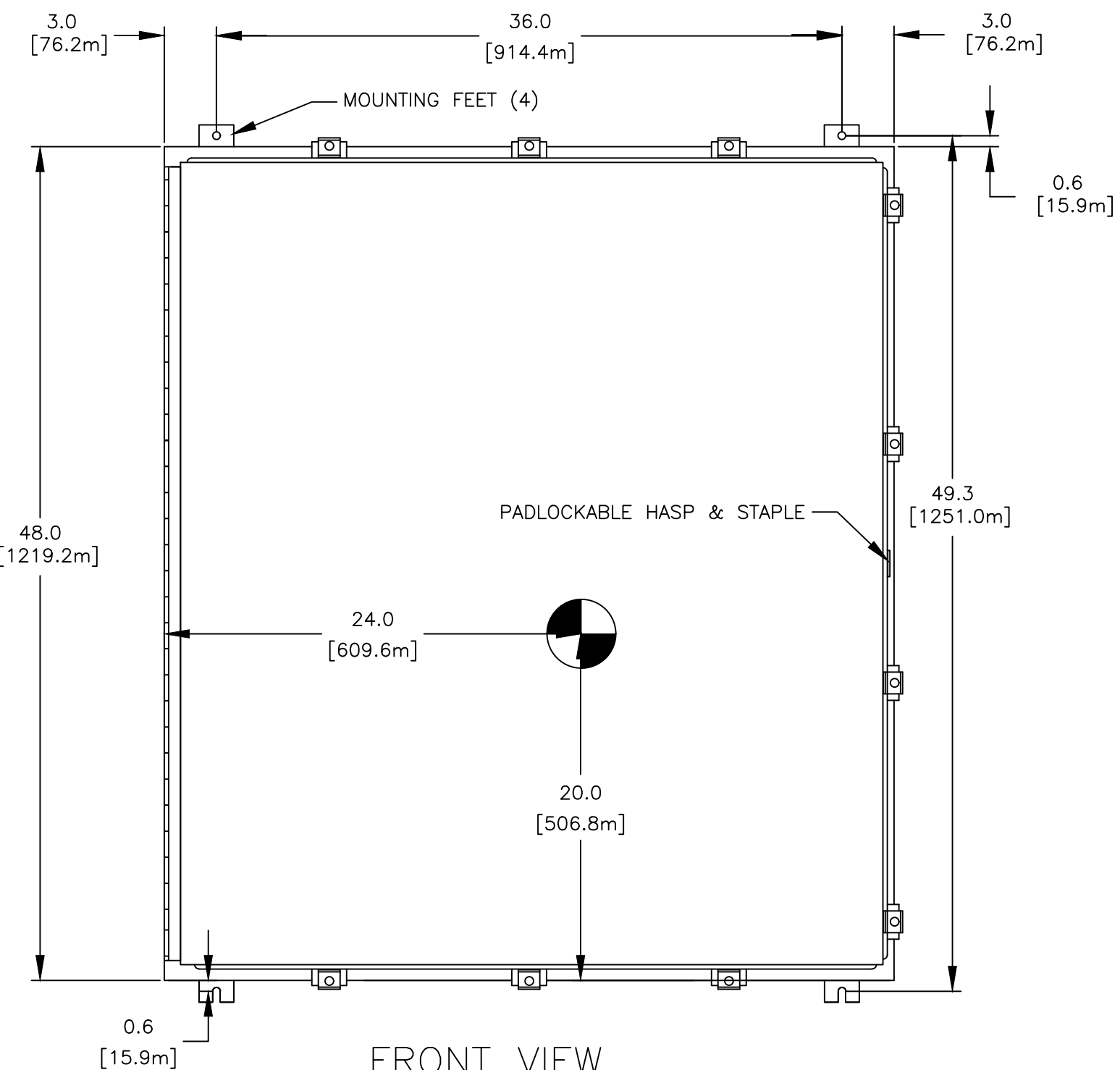
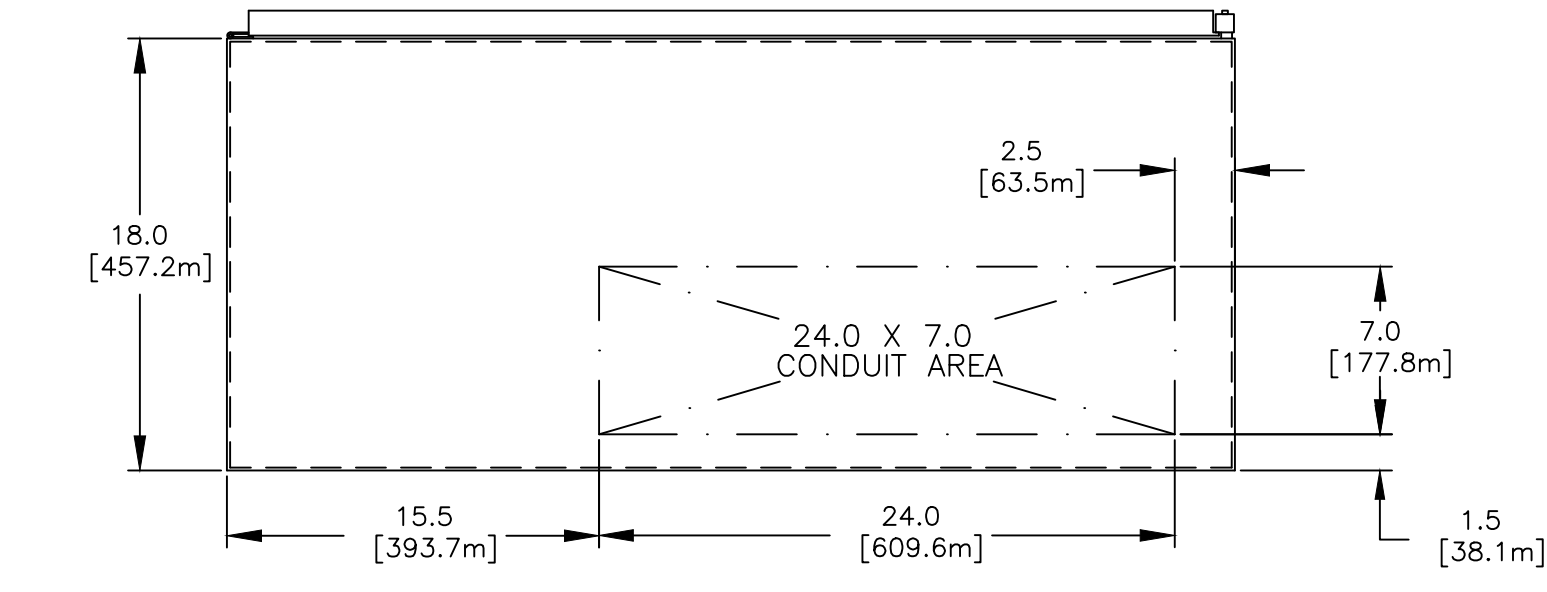


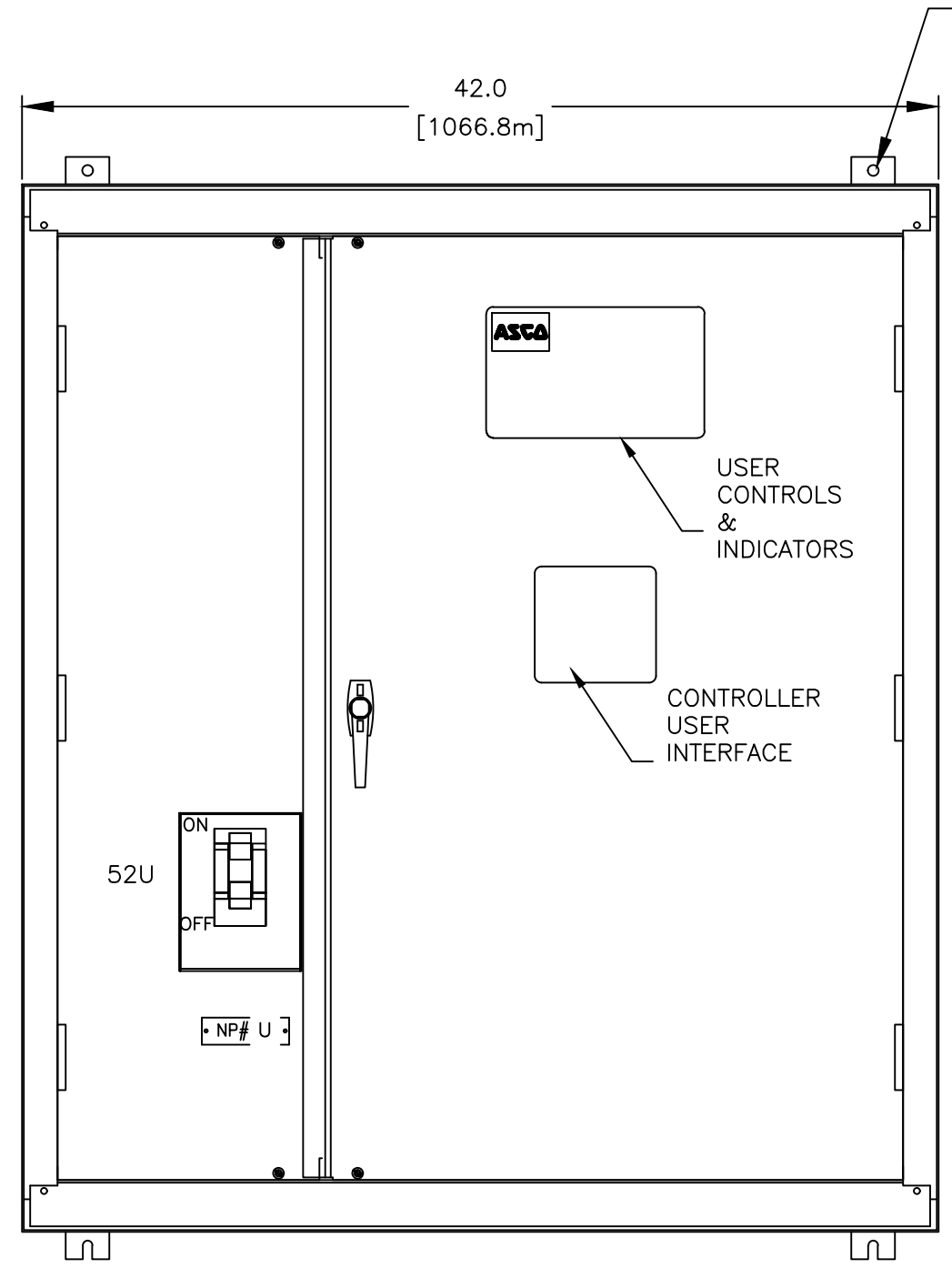
TOP VIEW



FRONT VIEW



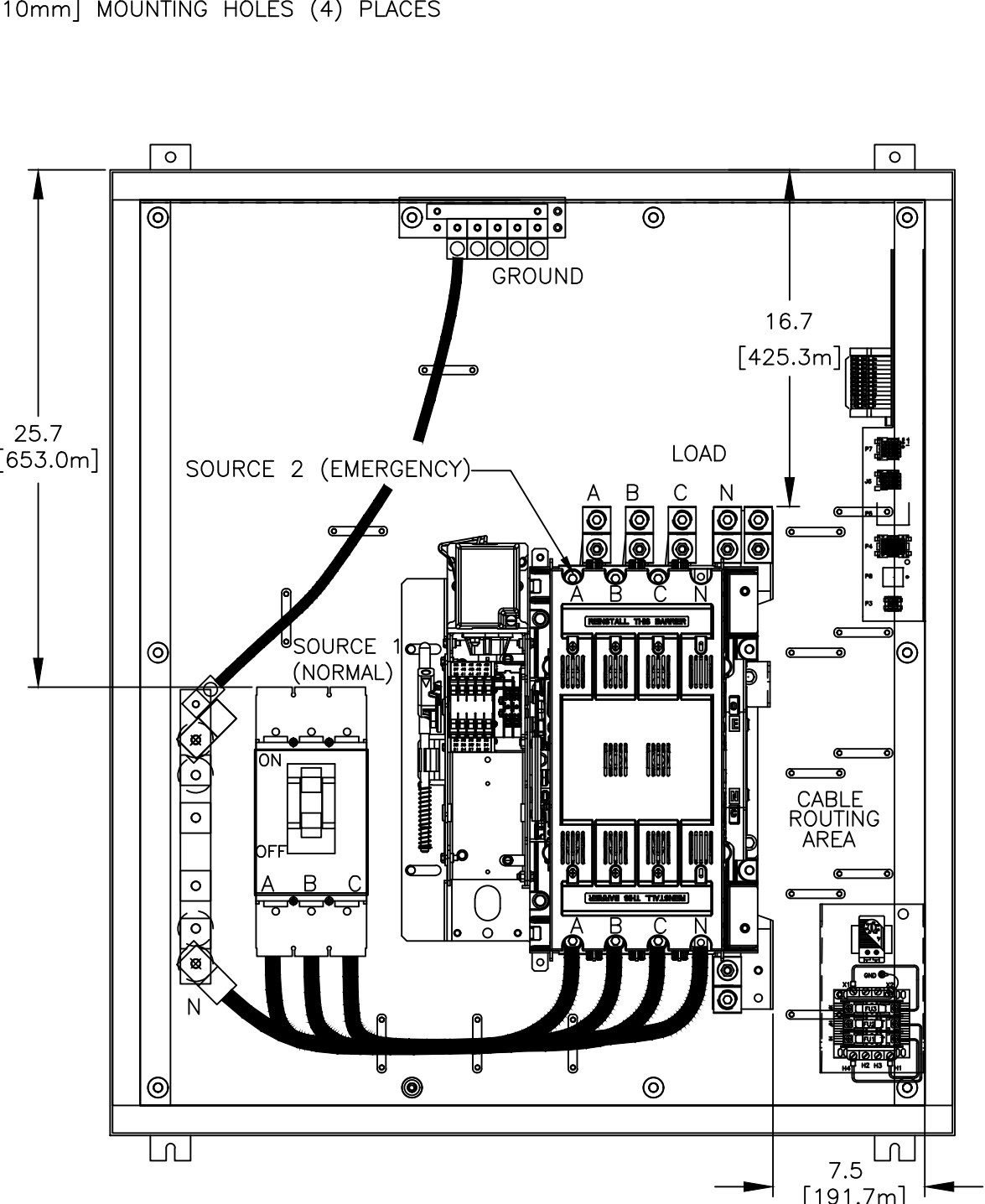
BOTTOM VIEW



FRONT VIEW WITH INNER DOOR

GENERAL NOTES

1. WALL MOUNTED ENCLOSURE.
TYPE 4 CONSTRUCTED FROM CODE GAUGE STEEL.
FINISH: TYPE 4, ANSI 61 GRAY POLYESTER SEMI GLOSS ELECTROSTATIC POWDER.
TYPE 4X EXTERIOR MANUFACTURED FROM CODE GAUGE STAINLESS STEEL.
(P) EXTERIOR CONSTRUCTED FROM CODE GAUGE TYPE 304 STAINLESS STEEL.
(V) EXTERIOR CONSTRUCTED FROM CODE GAUGE TYPE 316 STAINLESS STEEL.
2. EXTERIOR DOORS HAVE QUICK OPERATING DOOR CLAMPS AND PADLOCKABLE HASP & STAPLE.
3. DESIGNED FOR FRONT ACCESS.
4. RECOMMENDED CLEARANCES: FRONT: 36" [914mm] REAR: NONE
5. CENTER OF GRAVITY
6. APPROXIMATE WEIGHT: 370LB [168KG].



FRONT VIEW WITHOUT INNER DOOR

SYSTEM NOTES

1. SYSTEM RATING: 100-400 AMPS.
SOURCE 1 (NORMAL) SHORT CIRCUIT RATING: 125,000 RMS SYM @ 240V
100,000 RMS SYM @ 480V
SOURCE 2 (EMERGENCY) SHORT CIRCUIT RATING: 65,000 RMS SYM @ 240V
42,000 RMS SYM @ 480V (SOLID/SWITCHED NEUTRAL)
35,000 RMS SYM @ 480V (OVERLAPPING NEUTRAL)
2. ALL BUS IS SILVER-PLATED COPPER, BASED ON 1000A PER SQ. IN. DENSITY.
3. GROUND: 20% RATED.
4. NEUTRAL: 100% RATED.
5. APPLICABLE LABEL(S): U.L. 1008 - SUITABLE ONLY FOR USE AS SERVICE ENTRANCE EQUIPMENT.

TRANSFER SWITCH

1. J FRAME AUTOMATIC TRANSFER SWITCH.
2. TRANSFER SWITCH RATING: 150-400 AMPS.
SHORT CIRCUIT RATING WHEN PROTECTED BY A CIRCUIT BREAKER
TIME RESPONSE, MAXIMUM 0.05 SECONDS:
42,000 RMS SYM @ 480V (SWITCHED AND SOLID NEUTRAL).
35,000 RMS SYM @ 480V (OVERLAPPING NEUTRAL).
65,000 RMS SYM @ 240V (SWITCHED, SOLID AND OVERLAPPING NEUTRAL).
3. A FULL RATED NEUTRAL CONNECTION FOR EACH SOURCE AND THE LOAD IS OPTIONAL. WHEN PROVIDED IT IS IN ONE OF THE FOLLOWING FORMATS.
A. SOLID NEUTRAL
B. SWITCHED NEUTRAL POLE
C. OVERLAPPING NEUTRAL POLE (NOT AVAILABLE ON CLOSED OR DELAYED TRANSITION)
4. UL 1008 OR CSA C22.2 No. 178.1

TERMINATIONS 100A-150A

1. SUPPLIED WITH MECHANICAL (SCREW TYPE) LUGS FOR CU/AL CABLE.
SOURCE 1 (NORMAL): (1) #14-3/0 [2.5-95mm²] PER PHASE & NEUTRAL.
LOAD: (1) #4-600MCM [25-304mm²] OR (2) 1/0-250MCM [50-127mm²] PER PHASE & NEUTRAL.
SOURCE 2 (EMERGENCY): (1) #4-600MCM [25-304mm²] OR (2) 1/0-250MCM [50-127mm²] PER PHASE & NEUTRAL.
GROUND: (4) #6-250MCM [16-127mm²].
A. SUITABLE WIRE BENDING SPACE IS PROVIDED AS PER NEC.
2. OPTIONAL LUGS MAY BE SUPPLIED.

TERMINATIONS 175A

1. SUPPLIED WITH MECHANICAL (SCREW TYPE) LUGS FOR CU/AL CABLE.
SOURCE 1 (NORMAL): (1) #4-4/0 [25-120mm²] PER PHASE & NEUTRAL.
LOAD: (1) #4-600MCM [25-304mm²] OR (2) 1/0-250MCM [50-127mm²] PER PHASE & NEUTRAL.
SOURCE 2 (EMERGENCY): (1) #4-600MCM [25-304mm²] OR (2) 1/0-250MCM [50-127mm²] PER PHASE & NEUTRAL.
GROUND: (4) #6-250MCM [16-127mm²].
A. SUITABLE WIRE BENDING SPACE IS PROVIDED AS PER NEC.
2. OPTIONAL LUGS MAY BE SUPPLIED.

TERMINATIONS 200A-250A

1. SUPPLIED WITH MECHANICAL (SCREW TYPE) LUGS FOR CU/AL CABLE.
SOURCE 1 (NORMAL): (1) 3/0-350MCM [95-178mm²] PER PHASE & NEUTRAL.
LOAD: (1) #4-600MCM [25-304mm²] OR (2) 1/0-250MCM [50-127mm²] PER PHASE & NEUTRAL.
SOURCE 2 (EMERGENCY): (1) #4-600MCM [25-304mm²] OR (2) 1/0-250MCM [50-127mm²] PER PHASE & NEUTRAL.
GROUND: (4) #6-250MCM [16-127mm²].
A. SUITABLE WIRE BENDING SPACE IS PROVIDED AS PER NEC.
2. OPTIONAL LUGS MAY BE SUPPLIED.

TERMINATIONS 400A

1. SUPPLIED WITH MECHANICAL (SCREW TYPE) LUGS FOR CU/AL CABLE.
SOURCE 1 (NORMAL): (2) 2/0-250MCM [70-127mm²] PER PHASE & NEUTRAL.
LOAD: (1) #4-600MCM [25-304mm²] OR (2) 1/0-250MCM [50-127mm²] PER PHASE & NEUTRAL.
SOURCE 2 (EMERGENCY): (1) #4-600MCM [25-304mm²] OR (2) 1/0-250MCM [50-127mm²] PER PHASE & NEUTRAL.
GROUND: (4) #4-250MCM [2.5-127mm²].
A. SUITABLE WIRE BENDING SPACE IS PROVIDED AS PER NEC.
2. OPTIONAL LUGS MAY BE SUPPLIED.

CIRCUIT BREAKER: ITEM 52U

1. SQUARE "D" 80% RATED TYPE "HLL", 150AF/100AT, 150AF/150AT MANUALLY OPERATED, THERMAL MAGNETIC TRIP SETTINGS.
SHORT CIRCUIT RATING: AIC 100,000 RMS SYM @ 480V
2. OPTIONAL 100% RATED.
3. U.L. 489

CIRCUIT BREAKER: ITEM 52U

1. SQUARE "D" 80% RATED TYPE "JLL", 250AF/175AT, 250AF/200AT, 250AF/225AT, 250AF/250AT MANUALLY OPERATED, THERMAL MAGNETIC TRIP SETTINGS.
SHORT CIRCUIT RATING: AIC 100,000 RMS SYM @ 480V
2. OPTIONAL 100% RATED.
3. U.L. 489

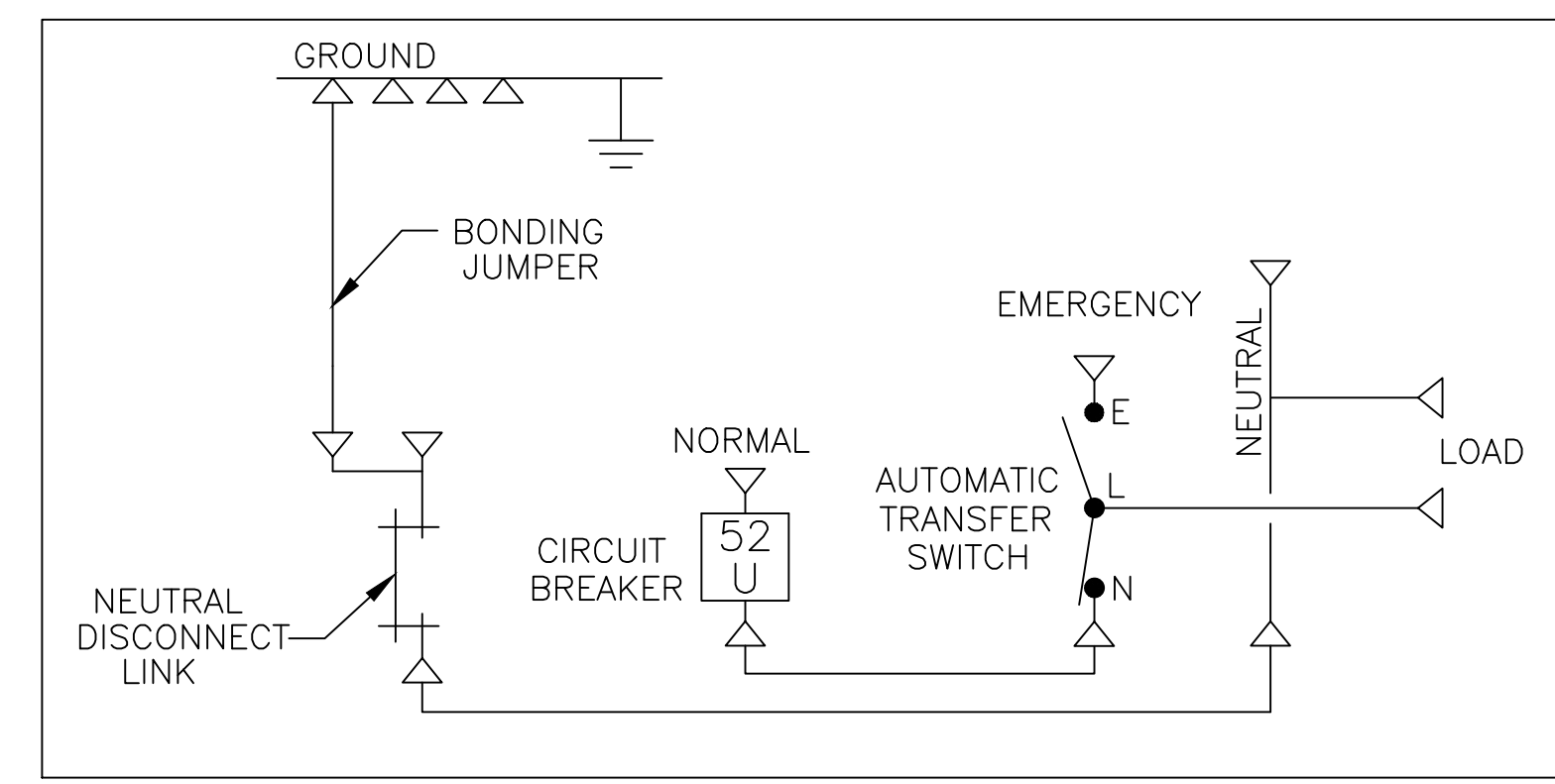
CIRCUIT BREAKER: ITEM 52U

1. SQUARE "D" 80% RATED TYPE "LLL", 600AF/400AT, MANUALLY OPERATED, ELECTRONIC TRIP CIRCUIT BREAKER LONG AND INSTANTANEOUS TRIP SETTINGS.
SHORT CIRCUIT RATING: AIC 100,000 RMS SYM @ 480V.
2. OPTIONAL 100% RATED.
3. U.L. 489

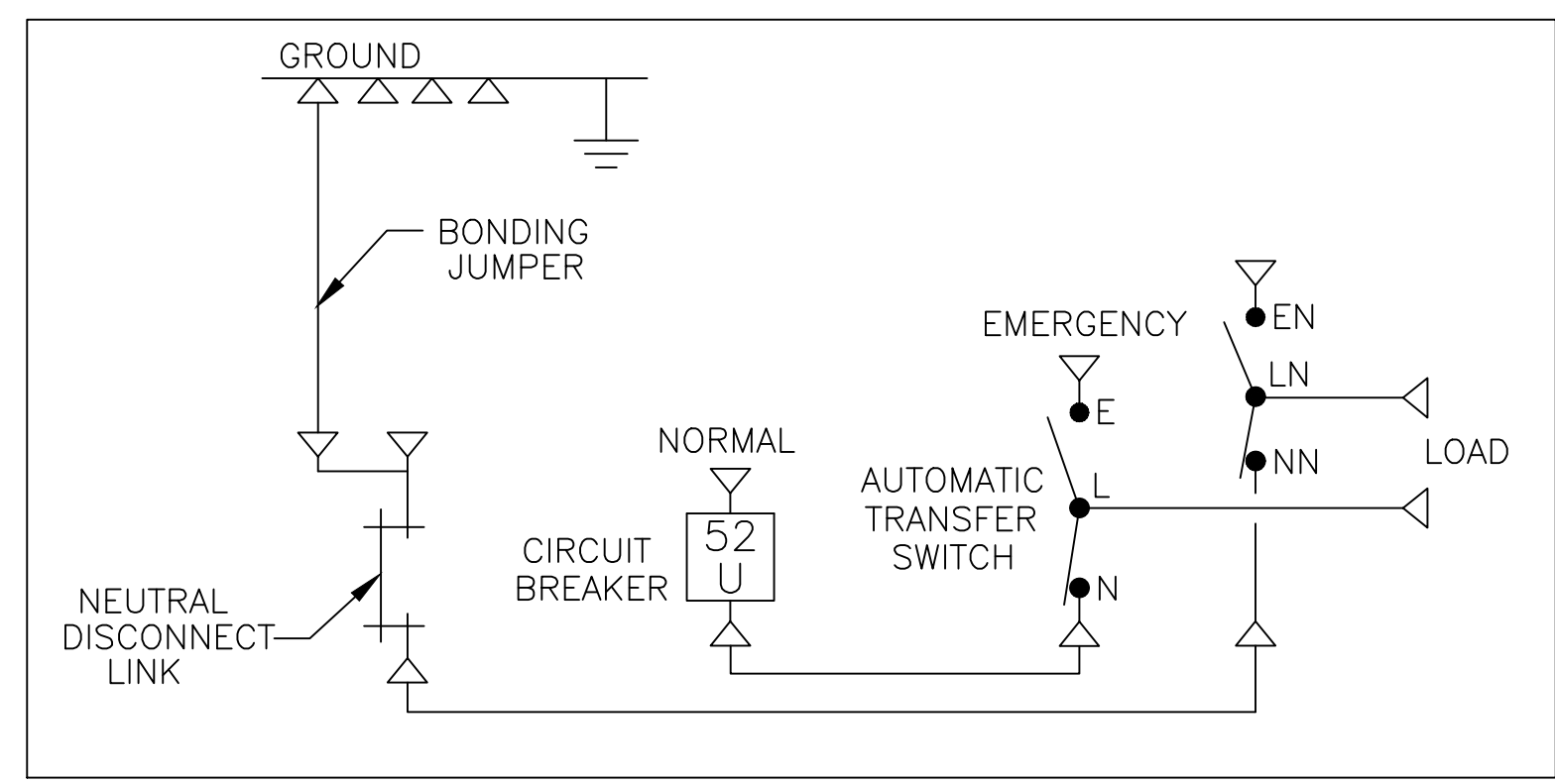
WIRING/CABLING

1. USE 90°C MINIMUM CU/AL WIRE FOR POWER CABLES.
2. WIRE SIZE TO BE BASED ON AMPACITY OF 75°C WIRE.
3. USE 60°C MINIMUM CU WIRE FOR CONTROLS.

ONE LINE DIAGRAMS



(WITH SOLID NEUTRAL)



(WITH SWITCHED/OVERLAPPING NEUTRAL)

PROJECT NAME:		305399 TAA	9-12-23
REV. TO SHEET	NEW	ECN NO.	BY APP. DATE
OUTLINE		MOUNTING	
JAUS 100A-400A, HL/JL/LL SE BREAKER ON SOURCE 1 (NORMAL)			
TYPE 4/4X, 48 X 42 X 18			
BY	DATE	MANUFACTURING TOLERANCES TO BE IN ACCORDANCE WITH ASCO PROCEDURE MP-1-003. FOR PLASTIC PARTS SEE MP-1-055	ASSEM. REF. NO.
DRAWN BY	TAA	4-10-23	
CHECKED	RN		
PROJECT APPROVAL			
FINAL APPROVAL			
COMPUTER GENERATED DRAWING		SCALE 1/8" = 1" SIZE DS	
DWG. NO.		805716-003	
DRAWING REV.		ECN NO. 305399	
REV.		SHEET 1 OF 1	

ASCO POWER TECHNOLOGIES, LP.
FLORHAM PARK, NEW JERSEY 07932 U.S.A.