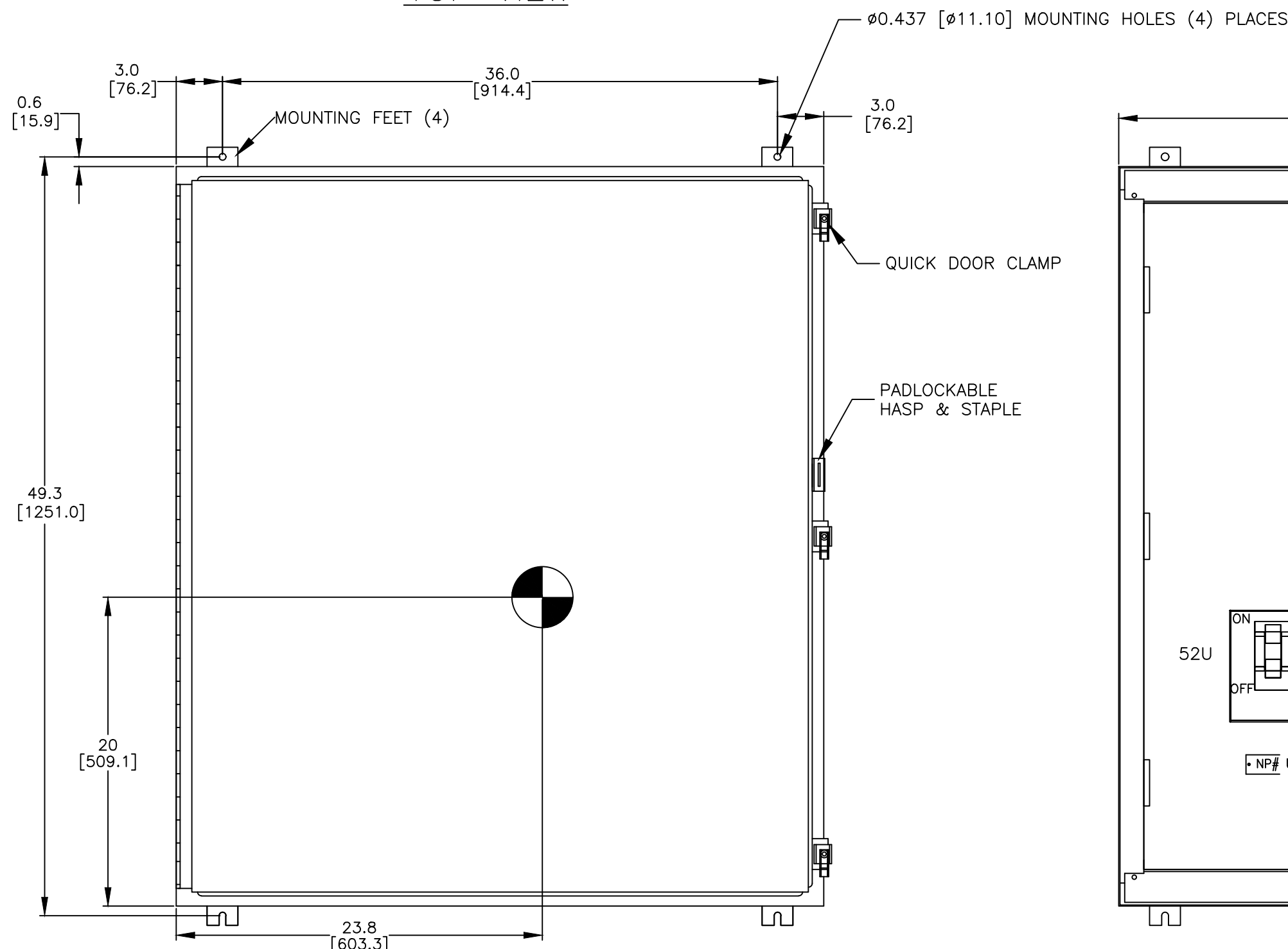
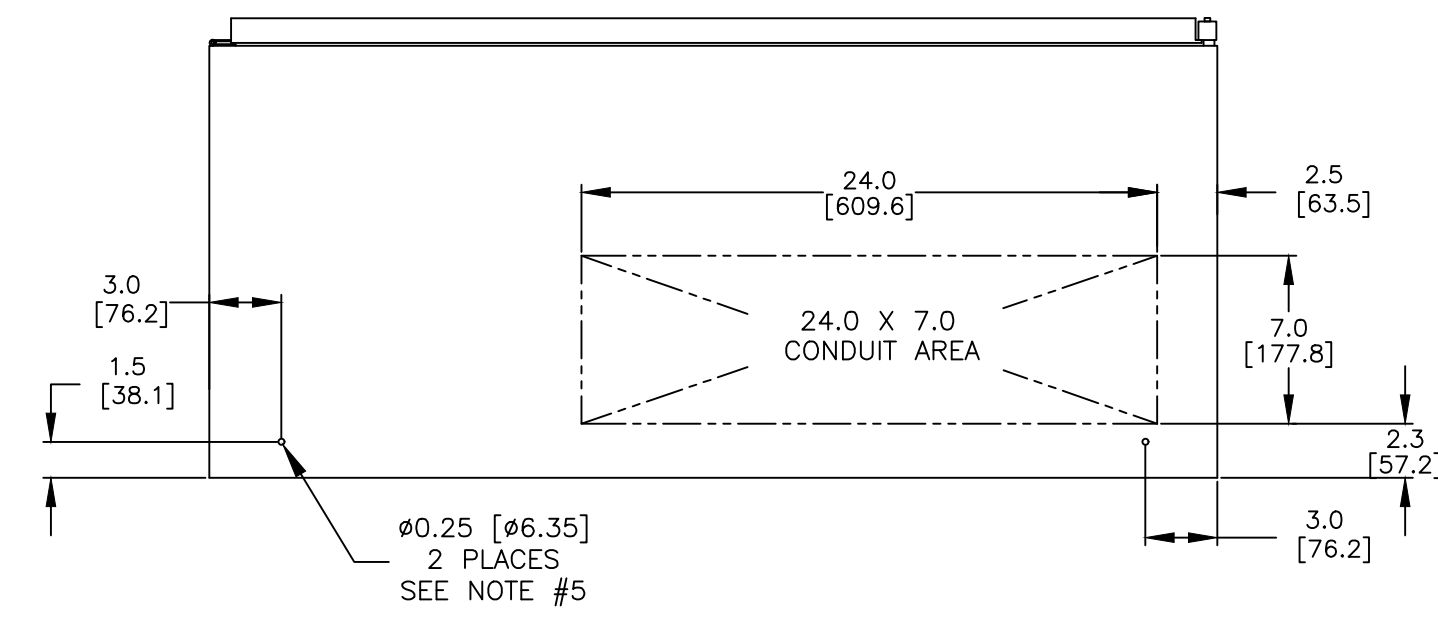


TOP VIEW



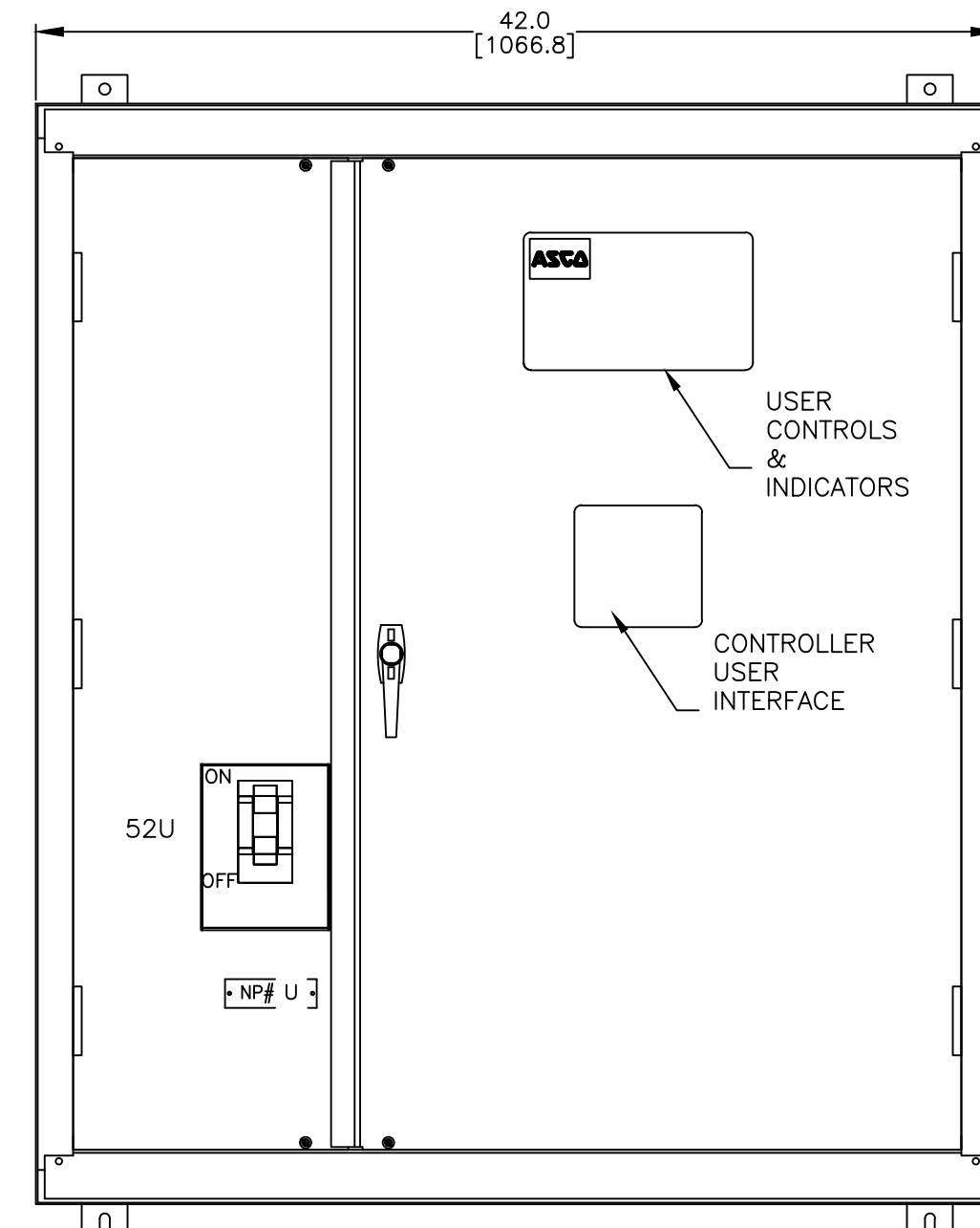
FRONT VIEW



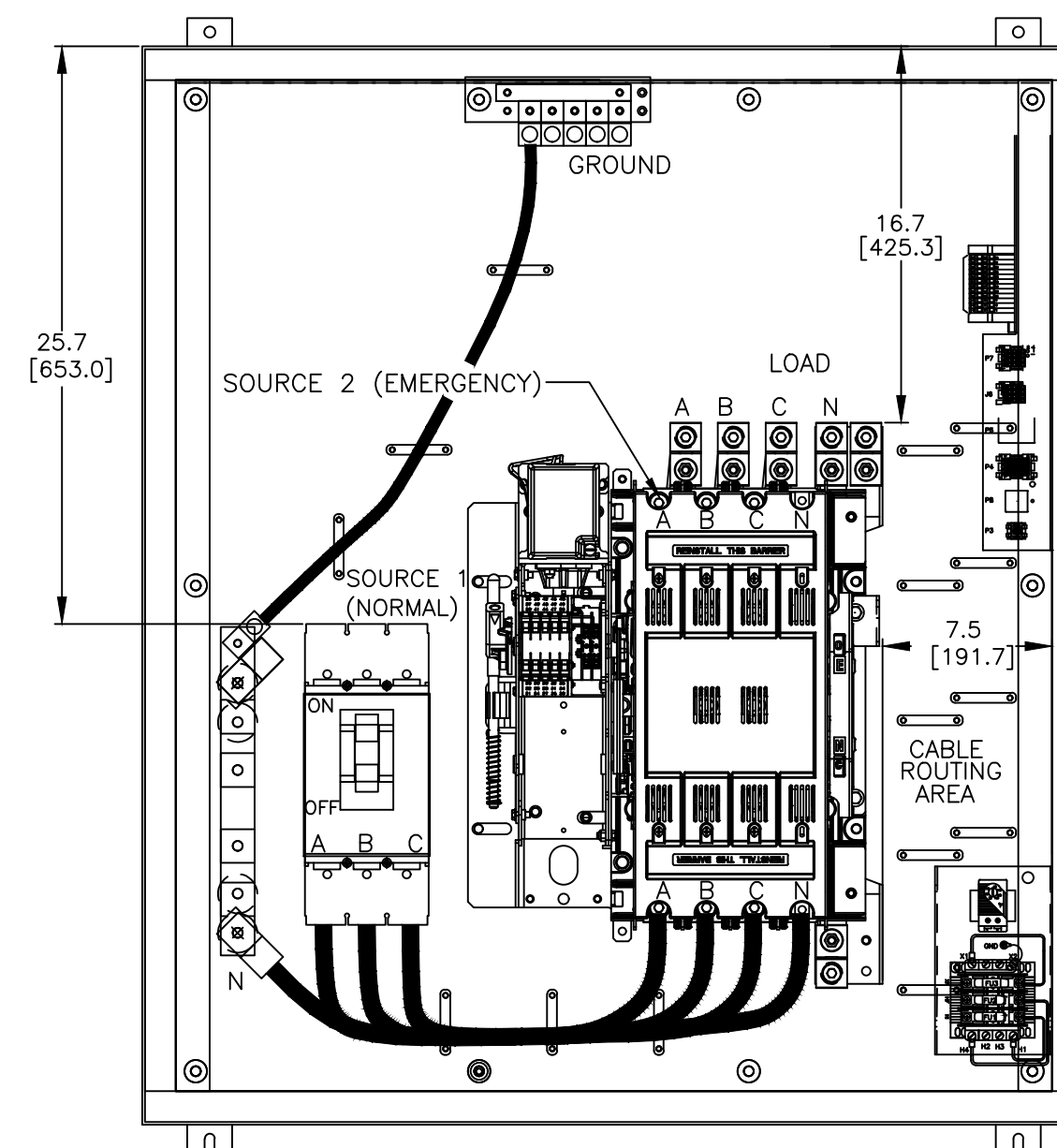
BOTTOM VIEW **TYPE 3R ONLY**

GENERAL NOTES

1. WALL MOUNTED ENCLOSURE.
TYPE 3R/12 CONSTRUCTED FROM CODE GAUGE STEEL.
FINISH: ANSI 61 GRAY POLYESTER SEMI GLOSS ELECTROSTATIC POWDER.
2. EXTERIOR DOORS HAVE QUICK OPERATING DOOR CLAMPS AND PADLOCKABLE HASP & STAPLE.
3. DESIGNED FOR FRONT ACCESS.
4. RECOMMENDED CLEARANCES: FRONT: 36" [915mm] REAR: NONE
5. TO CONVERT FROM TYPE 12 ENCLOSURE INTO TYPE 3R ENCLOSURE, DRILL (2) 0.25" [6.35mm] DIAMETER HOLES AS SHOWN.
6. CENTER OF GRAVITY
7. APPROXIMATE WEIGHT: 365 LB [166KG].



FRONT VIEW WITH INNER DOOR



FRONT VIEW WITHOUT INNER DOOR

SYSTEM NOTES

1. SYSTEM RATING: 100-400 AMPS.
SOURCE 1 (NORMAL) SHORT CIRCUIT RATING: 125,000 RMS SYM @ 240V
100,000 RMS SYM @ 480V
SOURCE 2 (EMERGENCY) SHORT CIRCUIT RATING: 65,000 RMS SYM @ 240V
42,000 RMS SYM @ 480V (SOLID AND SWITCHED NEUTRAL)
35,000 RMS SYM @ 480V (OVERLAPPING NEUTRAL)
2. SOURCE 2 (EMERGENCY) SHORT CIRCUIT RATING MAY BE INCREASED BY UTILIZING A SPECIFIC OVER-CURRENT PROTECTIVE DEVICE AS LISTED ON THE TRANSFER SWITCH.
2. ALL BUS IS SILVER-PLATED COPPER, BASED ON 1000A PER SQ. IN. DENSITY.
3. GROUND: 20% RATED.
4. NEUTRAL: 100% RATED.
5. APPLICABLE LABEL(S): U.L. 1008 - SUITABLE ONLY FOR USE AS SERVICE ENTRANCE EQUIPMENT.

TRANSFER SWITCH

1. J FRAME AUTOMATIC TRANSFER SWITCH.
2. TRANSFER SWITCH RATING: 150-400 AMPS.
SHORT CIRCUIT RATING WHEN PROTECTED BY A CIRCUIT BREAKER
TIME RESPONSE, MAXIMUM 0.05 SECONDS:
42,000 RMS SYM @ 480V (SWITCHED AND SOLID NEUTRAL).
35,000 RMS SYM @ 480V (OVERLAPPING NEUTRAL).
65,000 RMS SYM @ 240V (SWITCHED, SOLID AND OVERLAPPING NEUTRAL).
3. A FULL RATED NEUTRAL CONNECTION FOR EACH SOURCE AND THE LOAD IS OPTIONAL.
WHEN PROVIDED IT IS IN ONE OF THE FOLLOWING FORMATS.
A. SOLID NEUTRAL
B. SWITCHED NEUTRAL POLE
C. OVERLAPPING NEUTRAL POLE (NOT AVAILABLE ON CLOSED OR DELAYED TRANSITION)
4. UL 1008 OR CSA C22.2 No. 178.1

TERMINATIONS 100A-150A

1. SUPPLIED WITH MECHANICAL (SCREW TYPE) LUGS FOR CU/AL CABLE.
SOURCE 1 (NORMAL): (1) #14-3/0 [2.5-95mm²] PER PHASE & NEUTRAL.
LOAD: (1) #4-600MCM [25-304mm²] OR (2) 1/0-250MCM [50-127mm²] PER PHASE & NEUTRAL.
SOURCE 2 (EMERGENCY): (1) #4-600MCM [25-304mm²] OR (2) 1/0-250MCM [50-127mm²] PER PHASE & NEUTRAL.
GROUND: (4) #6-250MCM [16-127mm²].
A. SUITABLE WIRE BENDING SPACE IS PROVIDED AS PER NEC.
2. OPTIONAL LUGS MAY BE SUPPLIED.

TERMINATIONS 175A

1. SUPPLIED WITH MECHANICAL (SCREW TYPE) LUGS FOR CU/AL CABLE.
SOURCE 1 (NORMAL): (1) #4-4/0 [2.5-120mm²] PER PHASE & NEUTRAL.
LOAD: (1) #4-600MCM [25-304mm²] OR (2) 1/0-250MCM [50-127mm²] PER PHASE & NEUTRAL.
SOURCE 2 (EMERGENCY): (1) #4-600MCM [25-304mm²] OR (2) 1/0-250MCM [50-127mm²] PER PHASE & NEUTRAL.
GROUND: (4) #6-250MCM [16-127mm²].
A. SUITABLE WIRE BENDING SPACE IS PROVIDED AS PER NEC.
2. OPTIONAL LUGS MAY BE SUPPLIED.

TERMINATIONS 200A-250A

1. SUPPLIED WITH MECHANICAL (SCREW TYPE) LUGS FOR CU/AL CABLE.
SOURCE 1 (NORMAL): (1) 3/0-350MCM [95-178mm²] PER PHASE & NEUTRAL.
LOAD: (1) #4-600MCM [25-304mm²] OR (2) 1/0-250MCM [50-127mm²] PER PHASE & NEUTRAL.
SOURCE 2 (EMERGENCY): (1) #4-600MCM [25-304mm²] OR (2) 1/0-250MCM [50-127mm²] PER PHASE & NEUTRAL.
GROUND: (4) #6-250MCM [16-127mm²].
A. SUITABLE WIRE BENDING SPACE IS PROVIDED AS PER NEC.
2. OPTIONAL LUGS MAY BE SUPPLIED.

TERMINATIONS 400A

1. SUPPLIED WITH MECHANICAL (SCREW TYPE) LUGS FOR CU/AL CABLE.
SOURCE 1 (NORMAL): (2) 2/0-250MCM [70-127mm²] PER PHASE & NEUTRAL.
LOAD: (1) #4-600MCM [25-304mm²] OR (2) 1/0-250MCM [50-127mm²] PER PHASE & NEUTRAL.
SOURCE 2 (EMERGENCY): (1) #4-600MCM [25-304mm²] OR (2) 1/0-250MCM [50-127mm²] PER PHASE & NEUTRAL.
GROUND: (4) #4-250MCM [16-127mm²].
A. SUITABLE WIRE BENDING SPACE IS PROVIDED AS PER NEC.
2. OPTIONAL LUGS MAY BE SUPPLIED.

CIRCUIT BREAKER: ITEM 52U

1. SQUARE "D" 80% RATED TYPE "HLL", 150AF/100AT, 150AF/150AT MANUALLY OPERATED, THERMAL MAGNETIC TRIP SETTINGS.
SHORT CIRCUIT RATING: AIC 100,000 RMS SYM @ 480V
2. OPTIONAL 100% RATED.
3. U.L. 489

CIRCUIT BREAKER: ITEM 52U

1. SQUARE "D" 80% RATED TYPE "JLL", 250AF/175AT, 250AF/200AT, 250AF/225AT, 250AF/250AT MANUALLY OPERATED, THERMAL MAGNETIC TRIP SETTINGS.
SHORT CIRCUIT RATING: AIC 100,000 RMS SYM @ 480V
2. OPTIONAL 100% RATED.
3. U.L. 489

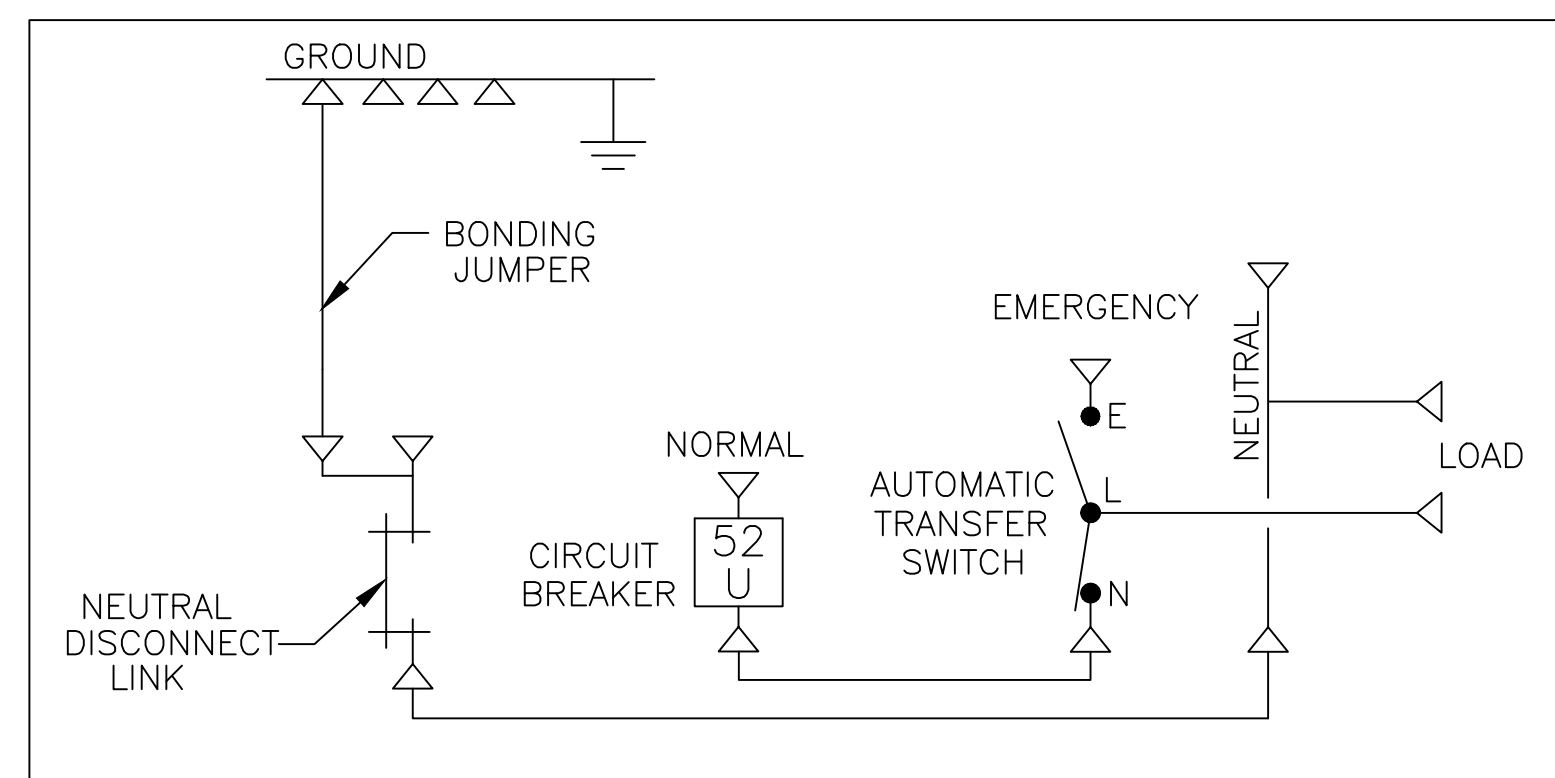
CIRCUIT BREAKER: ITEM 52U

1. SQUARE "D" 80% RATED TYPE "LLL", 600AF/400AT, MANUALLY OPERATED, ELECTRONIC TRIP CIRCUIT BREAKER WITH ADJUSTABLE LONG TIME AND INSTANTANEOUS TRIP SETTINGS.
SHORT CIRCUIT RATING: AIC 100,000 RMS SYM @ 480V.
2. OPTIONAL 100% RATED.
3. U.L. 489

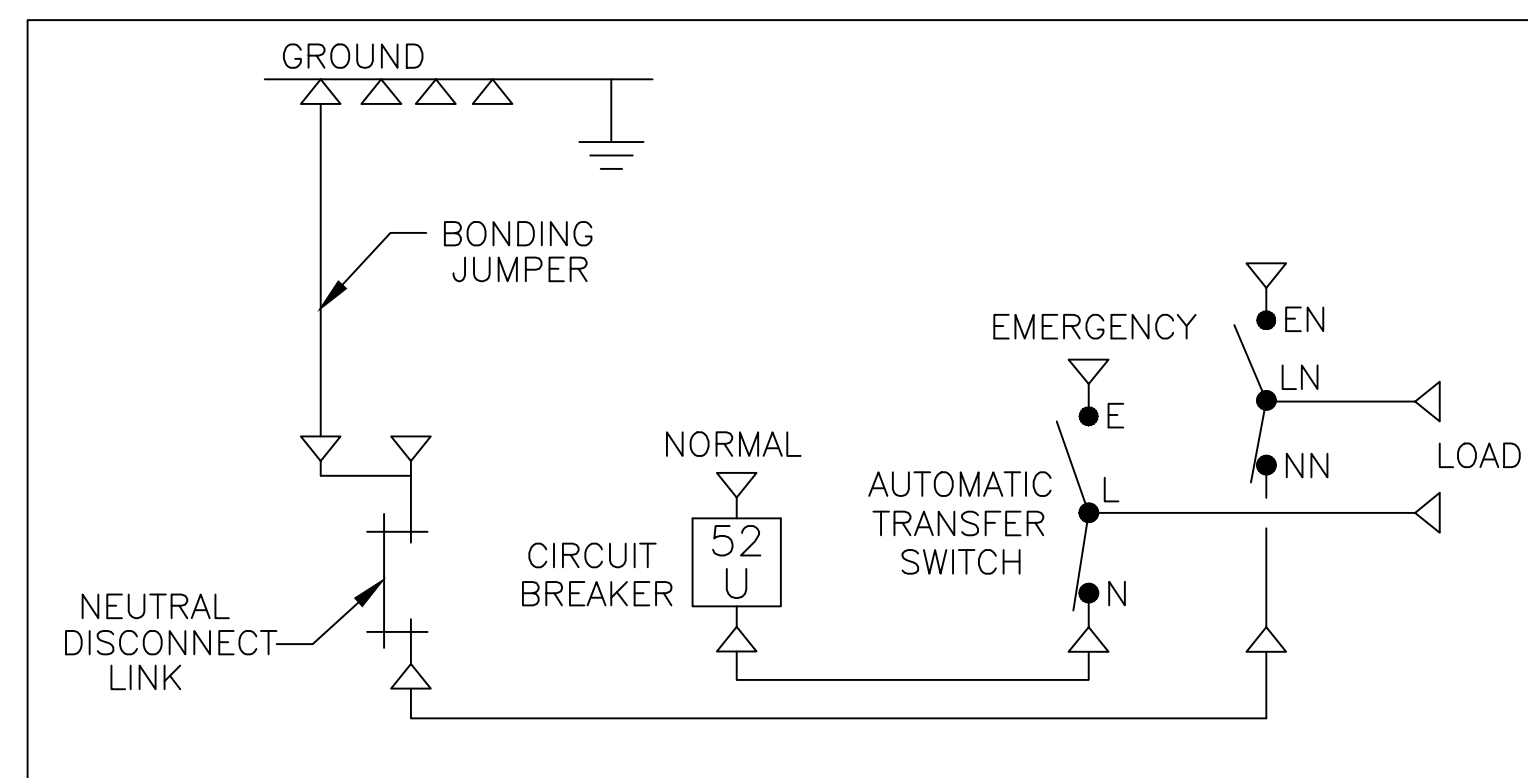
WIRING/CABLING

1. USE 90°C MINIMUM CU/AL WIRE FOR POWER CABLES.
2. WIRE SIZE TO BE BASED ON AMPACITY OF 75°C WIRE.
3. USE 60°C MINIMUM CU WIRE FOR CONTROLS.

ONE LINE DIAGRAMS



(WITH SOLID NEUTRAL)



(WITH SWITCHED/OVERLAPPING NEUTRAL)

PROJECT NAME:		304363	BCG	RN	6/29/23
REV. TO SHEET	NEW	ECN NO.	BY	APP.	DATE
OUTLINE		MOUNTING			
JAUS 100A-400A, HL/JL/LL SE BREAKER ON SOURCE 1 (NORMAL)					
TYPE 12/3R, 48 X 42 X 18					
BY	DATE	MANUFACTURING TOLERANCES TO BE IN ACCORDANCE WITH ASCO PROCEDURE MP-1-003. FOR PLASTIC PARTS SEE MP-1-055		ASSEM. REF. NO.	COMPUTER GENERATED DRAWING
DRAWN BY	4/5/23	PROPERTY OF ASCO POWER TECHNOLOGIES. USE PERMITTED FOR OUR WORK ONLY. ALL RIGHTS OF DESIGN OR INVENTION ARE RESERVED.		SCALE 1/8" = 1" SIZE DS	DWG. NO.
CHECKED	RN	ASCOT		805716-002	REV.
PROJECT APPROVAL		ASCOT		FLORHAM PARK, NEW JERSEY 07932 U.S.A.	ECN NO. 304363
FINAL APPROVAL		ASCOT			SHEET 1 OF 1